

## Ball bearing for high temperature

### BHTS 2RS VT 250°-280°

The BHTS 2RS VT 250° - 280° ball bearings are designed on the dimensions of a standard bearing but with treatments of stabilisation, surface treatment, radial clearance, greases and special Viton seals which make them suitable for operation from -30° to between +250° and +280°. Their recommended range of application is between 180° and 250°. The dual display of 250° - 280° was designed to clearly indicate that the bearing is effectively a bearing for 280°, but the Viton seals have a reduction of duration in excess of 250° for which the bearing achieves its best performance in the above-mentioned, range of 180° to 250°. Below 200°, there are the BHTS 2RS VT 200° available, which are cheaper and also allow a much higher rotational speed. The range of the 2RS VT 250° - 280° is replacing the BHTS ZZ 280°, which present the same functional, structural characteristics but with levels of protection against weather conditions significantly lower. The Viton characteristics are ideal in resisting many types of acids, however, the BHTS 2RS VT 250° - 280°, is designed exclusively for applications in high temperatures. With regards to applications in the presence of acid, consult the relative section of the catalogue on stainless steel bearings. For needs relating to problems of acids added to temperature problems, there are high temperature stainless steel bearings available with Viton seals.

#### Technical characteristics:

Material Steel AISI 52100 (Chrome) stabilized to the application  
Treatment of manganese phosphate coating on all steel parts  
Radial 4 times C5  
Seals 2RS Viton  
Greasing with PTFE based grease-free silicone for temperatures up to 280° (with a drop point above 400°)

#### Fields of application:

Paint Ovens  
Steel Industry  
Furnaces for Ceramic Industry  
Trolley Industry Brick Kilns

## Ball bearing for high temperature

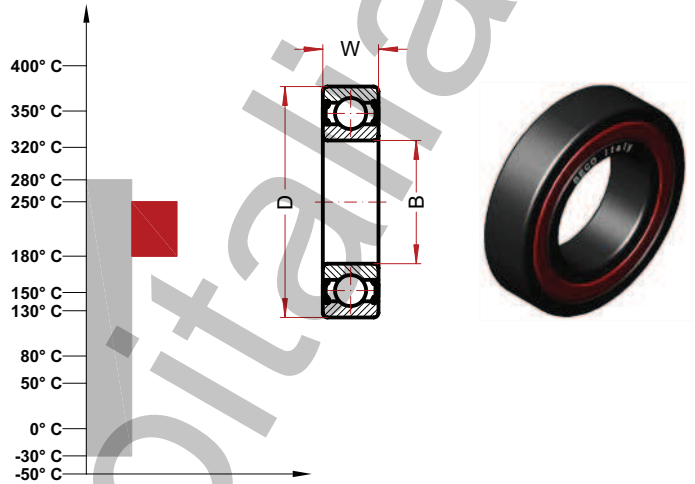
### BHTS 2RS VT 250°-280° (Micro Serie)

MAX TEMP CELSIUS 280° C

MAX TEMP FAHRENHEIT 536° F

SUGGESTED RANGE 180°/250° C

SUGGESTED RANGE 356°/482° F



Designation	Bore (B)	Diam (D)	Widht (W)	Weight g	Speed RPM/min (*)	Static Load kN
613/3 BHTS 2RS VT 250°-280°	3	8	3	1.5	2300	
623 BHTS 2RS VT 250°-280°	3	10	4	3	2300	0.16
604 BHTS 2RS VT 250°-280°	4	12	4	3	2300	0.29
624 BHTS 2RS VT 250°-280°	4	13	5	3	2300	0.29
606 BHTS 2RS VT 250°-280°	5	14	5	4	2300	0.35
625 BHTS 2RS VT 250°-280°	5	16	5	5	2300	0.35
606 BHTS 2RS VT 250°-280°	6	17	6	7	2300	0.72
626 BHTS 2RS VT 250°-280°	6	19	6	8	2300	0.72
607 BHTS 2RS VT 250°-280°	7	19	6	8	2300	0.72
627 BHTS 2RS VT 250°-280°	7	22	7	13	2300	0.93
608 BHTS 2RS VT 250°-280°	8	22	7	13	2300	0.93
628 BHTS 2RS VT 250°-280°	8	24	8	14	2300	0.93
609 BHTS 2RS VT 250°-280°	9	24	7	15	2300	1.11
629 BHTS 2RS VT 250°-280°	9	26	8	20	2300	1.33

Static load and max speed are calculated for the maximum temperature of application we supply this technical information only for help customer in the choice. Due the extremely difference in the condition of application. We suggest to the customer to contact our engineering service and made pratical test for check in the real condition the pratical working.

## Ball bearing for high temperature

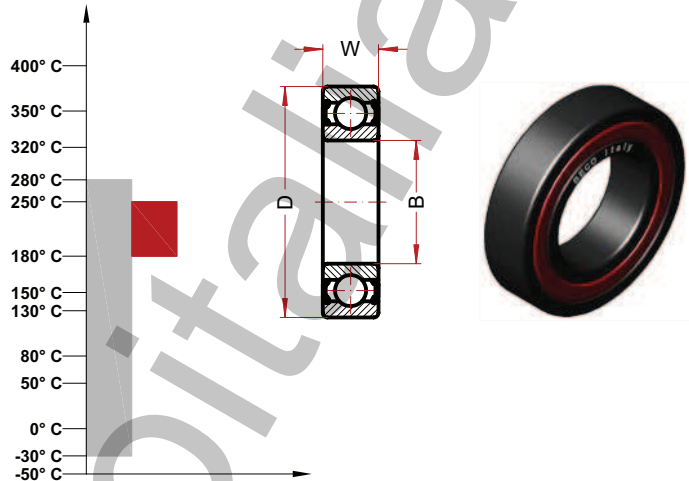
### BHTS 2RS VT 250°-280° (61800 Serie)

MAX TEMP CELSIUS 280° C

MAX TEMP FAHRENHEIT 536° F

SUGGESTED RANGE 180°/250° C

SUGGESTED RANGE 356°/482° F



Designation	Bore (B)	Diam (D)	Widht (W)	Weight g	Speed RPM/min (*)	Static Load kN
61800 BHTS 2RS VT 250°-280°	10	19	5	6	2240	0.56
61801 BHTS 2RS VT 250°-280°	12	21	5	7	2080	0.65
61802 BHTS 2RS VT 250°-280°	15	24	5	7	1920	0.85
61803 BHTS 2RS VT 250°-280°	17	26	5	8	1760	0.99
61804 BHTS 2RS VT 250°-280°	20	32	7	18	1600	1.59
61805 BHTS 2RS VT 250°-280°	25	37	7	24	1360	1.90
61806 BHTS 2RS VT 250°-280°	30	42	7	27	1040	2.28
61807 BHTS 2RS VT 250°-280°	35	47	7	32	880	2.45
61808 BHTS 2RS VT 250°-280°	40	52	7	35	800	2.90
61809 BHTS 2RS VT 250°-280°	45	58	7	42	720	3.81
61810 BHTS 2RS VT 250°-280°	50	65	7	52	680	4.28
61811 BHTS 2RS VT 250°-280°	55	72	9	81	600	5.78
61812 BHTS 2RS VT 250°-280°	60	78	10	105	560	7.48
61813 BHTS 2RS VT 250°-280°	65	85	10	124	504	8.16
61814 BHTS 2RS VT 250°-280°	70	90	10	133	480	8.50
61815 BHTS 2RS VT 250°-280°	75	95	10	143	448	9.11
61816 BHTS 2RS VT 250°-280°	80	100	10	150	400	
61817 BHTS 2RS VT 250°-280°	85	110	13	270	380	
61818 BHTS 2RS VT 250°-280°	90	115	13	280	360	
61819 BHTS 2RS VT 250°-280°	95	120	13	300	340	
61820 BHTS 2RS VT 250°-280°	100	125	13	310	300	

Static load and max speed are calculated for the maximum temperature of application we supply this technical information only for help customer in the choice. Due the extremely difference in the condition of application. We suggest to the customer to contact our engineering service and made pratical test for check in the real condition the pratical working.

## Ball bearing for high temperature

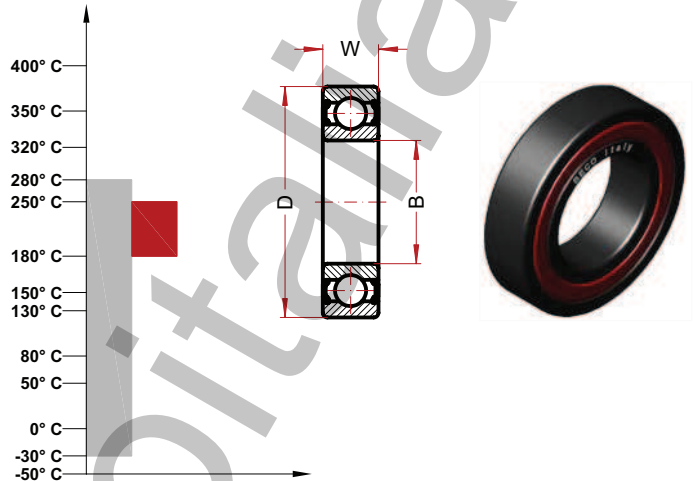
### BHTS 2RS VT 250°-280° (61900 Serie)

MAX TEMP CELSIUS 280° C

MAX TEMP FAHRENHEIT 536° F

SUGGESTED RANGE 180°/250° C

SUGGESTED RANGE 356°/482° F



Designation	Bore (B)	Diam (D)	Widht (W)	Weight g	Speed RPM/min (*)	Static Load kN
61900 BHTS 2RS VT 250°-280°	10	22	6	10	2240	
61901 BHTS 2RS VT 250°-280°	12	24	6	11	2080	
61902 BHTS 2RS VT 250°-280°	15	28	7	16	1920	
61903 BHTS 2RS VT 250°-280°	17	30	7	18	1760	
61904 BHTS 2RS VT 250°-280°	20	37	9	38	1600	
61905 BHTS 2RS VT 250°-280°	25	37	7	22	1360	
61906 BHTS 2RS VT 250°-280°	30	47	9	51	1040	
61907 BHTS 2RS VT 250°-280°	35	55	10	80	880	
61908 BHTS 2RS VT 250°-280°	40	62	12	120	800	
61909 BHTS 2RS VT 250°-280°	45	68	12	140	720	
61910 BHTS 2RS VT 250°-280°	50	72	12	160	680	
61911 BHTS 2RS VT 250°-280°	55	80	13	190	600	
61912 BHTS 2RS VT 250°-280°	60	85	13	200	560	
61913 BHTS 2RS VT 250°-280°	65	90	13	220	504	
61914 BHTS 2RS VT 250°-280°	70	100	16	350	480	
61915 BHTS 2RS VT 250°-280°	75	105	16	370	448	

Static load and max speed are calculated for the maximum temperature of application we supply this technical information only for help customer in the choice. Due the extremely difference in the condition of application. We suggest to the customer to contact our engineering service and made pratical test for check in the real condition the pratical working.

## Ball bearing for high temperature

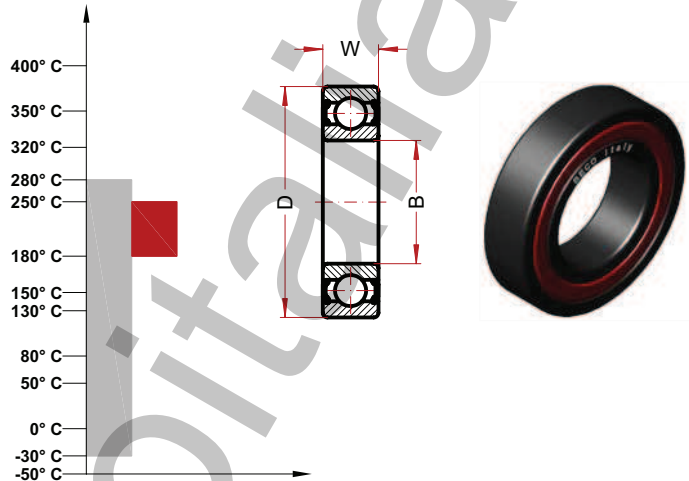
### BHTS 2RS VT 250°-280° (6000 Serie)

MAX TEMP CELSIUS 280° C

MAX TEMP FAHRENHEIT 536° F

SUGGESTED RANGE 180°/250° C

SUGGESTED RANGE 356°/482° F



Designation	Bore (B)	Diam (D)	Width (W)	Weight g	Speed RPM/min (*)	Static Load kN
6000 BHTS2RS VT 250°-280°	10	26	8	20	2240	1.34
6001 BHTS2RS VT 250°-280°	12	28	8	25	2080	1.61
6002 BHTS2RS VT 250°-280°	15	32	9	30	1920	1.94
6003 BHTS2RS VT 250°-280°	17	35	10	40	1760	2.21
6004 BHTS2RS VT 250°-280°	20	42	12	69	1600	3.40
6005 BHTS2RS VT 250°-280°	25	47	12	80	1360	3.98
6006 BHTS2RS VT 250°-280°	30	55	13	120	1040	5.44
6007 BHTS2RS VT 250°-280°	35	62	14	160	880	7.07
6008 BHTS2RS VT 250°-280°	40	68	15	190	800	8
6009 BHTS2RS VT 250°-280°	45	75	16	250	720	9.73
6010 BHTS2RS VT 250°-280°	50	80	16	260	680	10.61
6011 BHTS2RS VT 250°-280°	55	90	18	390	600	14.42
6012 BHTS2RS VT 250°-280°	60	95	18	420	560	15.80
6013 BHTS2RS VT 250°-280°	65	100	18	440	504	17
6014 BHTS2RS VT 250°-280°	70	110	20	600	480	21.42
6015 BHTS2RS VT 250°-280°	75	115	20	640	448	23.12
6016 BHTS2RS VT 250°-280°	80	125	22	850	400	26
6017 BHTS2RS VT 250°-280°	85	130	22	890	380	27.9
6018 BHTS2RS VT 250°-280°	90	140	24	1150	360	32.5
6019 BHTS2RS VT 250°-280°	95	145	24	1200	340	35.1
6020 BHTS2RS VT 250°-280°	100	150	24	1250	300	35.1

Static load and max speed are calculated for the maximum temperature of application we supply this technical information only for help customer in the choice. Due the extremely difference in the condition of application. We suggest to the customer to contact our engineering service and made practical test for check in the real condition the practical working.

## Ball bearing for high temperature

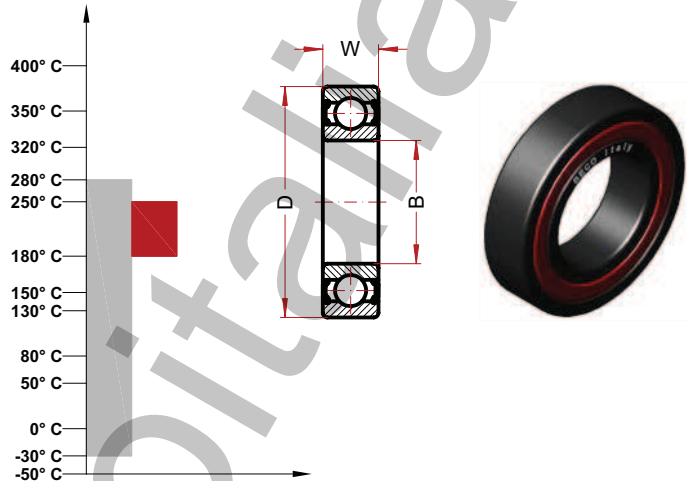
### BHTS 2RS VT 250°-280° (6200 Serie)

MAX TEMP CELSIUS 280° C

MAX TEMP FAHRENHEIT 536° F

SUGGESTED RANGE 180°/250° C

SUGGESTED RANGE 356°/482° F



Designation	Bore (B)	Diam (D)	Width (W)	Weight g	Speed RPM/min (*)	Static Load kN
6200 BHTS 2RS VT 250°-280°	10	30	9	30	2080	1.77
6201 BHTS 2RS VT 250°-280°	12	32	10	37	1920	2.11
6202 BHTS 2RS VT 250°-280°	15	35	11	45	1600	2.55
6203 BHTS 2RS VT 250°-280°	17	40	12	65	1440	3.23
6204 BHTS 2RS VT 250°-280°	20	47	14	110	1200	4.46
6205 BHTS 2RS VT 250°-280°	25	52	15	130	1120	5.44
6206 BHTS 2RS VT 250°-280°	30	62	16	200	880	7.62
6207 BHTS 2RS VT 250°-280°	35	72	17	290	760	10
6208 BHTS 2RS VT 250°-280°	40	80	18	370	680	12.24
6209 BHTS 2RS VT 250°-280°	45	85	19	410	640	13.87
6210 BHTS 2RS VT 250°-280°	50	90	20	460	600	16.3
6211 BHTS 2RS VT 250°-280°	55	100	21	610	536	19.88
6212 BHTS 2RS VT 250°-280°	62	110	22	780	480	24.48
6213 BHTS 2RS VT 250°-280°	65	120	23	990	424	28.22
6214 BHTS 2RS VT 250°-280°	70	125	24	1040	400	29.92
6215 BHTS 2RS VT 250°-280°	75	130	25	1210	384	33.32
6216 BHTS 2RS VT 250°-280°	80	140	26	1400	350	35.7
6217 BHTS 2RS VT 250°-280°	85	150	28	1800	330	41.6
6218 BHTS 2RS VT 250°-280°	90	160	30	2150	310	47.7
6219 BHTS 2RS VT 250°-280°	95	170	32	2600	300	52.9
6220 BHTS 2RS VT 250°-280°	100	180	34	3150	290	60.4

Static load and max speed are calculated for the maximum temperature of application we supply this technical information only for help customer in the choice. Due the extremely difference in the condition of application. We suggest to the customer to contact our engineering service and made practical test for check in the real condition the practical working.

## Ball bearing for high temperature

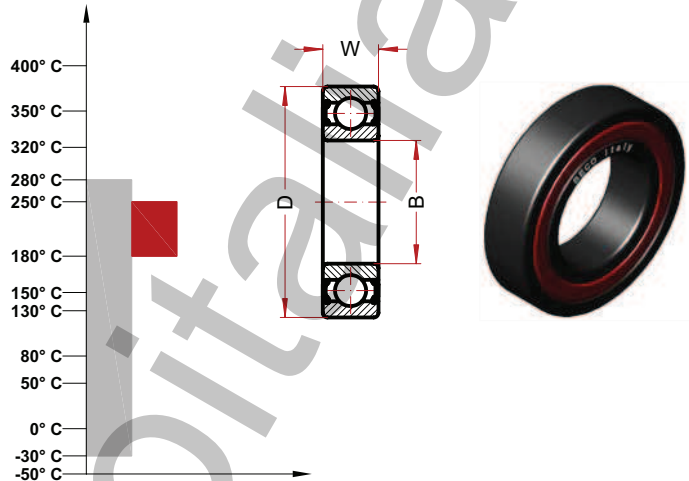
### BHTS 2RS VT 250°-280° (6300 Serie)

MAX TEMP CELSIUS 280° C

MAX TEMP FAHRENHEIT 536° F

SUGGESTED RANGE 180°/250° C

SUGGESTED RANGE 356°/482° F



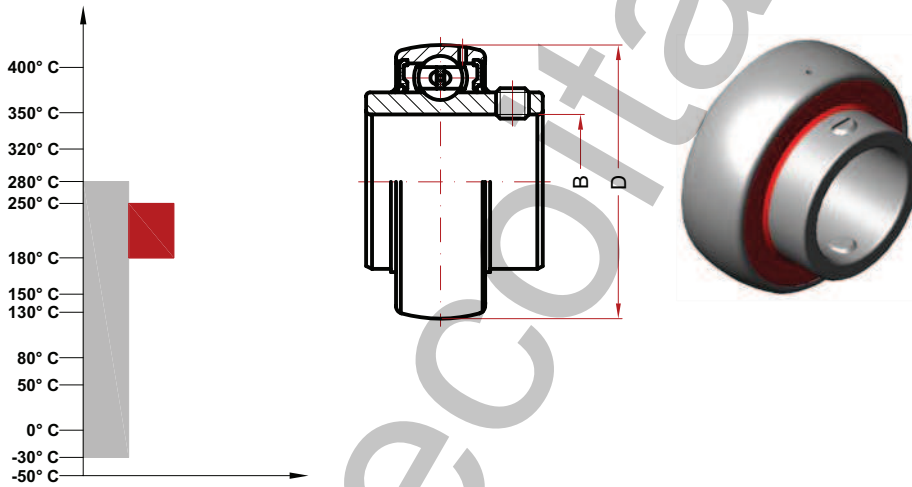
Designation	Bore (B)	Diam (D)	Widht (W)	Weight g	Speed RPM/min (*)	Static Load kN
6300 BHTS 2RS VT 250°-280°	10	35	11	52	1760	2.34
6301 BHTS 2RS VT 250°-280°	12	37	12	60	1600	2.82
6302 BHTS 2RS VT 250°-280°	15	42	13	80	1440	3.67
6303 BHTS 2RS VT 250°-280°	17	47	14	120	1280	4.46
6304 BHTS 2RS VT 250°-280°	20	52	15	140	1120	5.78
6305 BHTS 2RS VT 250°-280°	25	62	17	225	880	7.75
6306 BHTS 2RS VT 250°-280°	30	72	19	350	760	11
6307 BHTS 2RS VT 250°-280°	35	80	21	450	680	12.92
6308 BHTS 2RS VT 250°-280°	40	90	23	620	600	17
6309 BHTS 2RS VT 250°-280°	45	100	25	830	536	21.76
6310 BHTS 2RS VT 250°-280°	50	110	27	1050	480	25
6311 BHTS 2RS VT 250°-280°	55	120	29	1350	424	32.30
6312 BHTS 2RS VT 250°-280°	60	130	31	1700	400	35.36
6313 BHTS 2RS VT 250°-280°	65	140	33	2100	360	40.8
6314 BHTS 2RS VT 250°-280°	70	150	35	2500	344	46
6315 BHTS 2RS VT 250°-280°	75	160	37	3000	320	52
6316 BHTS 2RS VT 250°-280°	80	170	39	3600	300	56.2
6317 BHTS 2RS VT 250°-280°	85	180	41	4250	290	62.7
6318 BHTS 2RS VT 250°-280°	90	190	43	4900	270	70.2
6319 BHTS 2RS VT 250°-280°	95	200	45	5650	250	76.7
6320 BHTS 2RS VT 250°-280°	100	215	47	7000	230	91

Static load and max speed are calculated for the maximum temperature of application we supply this technical information only for help customer in the choice. Due the extremely difference in the condition of application. We suggest to the customer to contact our engineering service and made pratical test for check in the real condition the pratical working.

## Ball bearing for high temperature BHTS 2RS VT 250°-280° (UC Serie)

MAX TEMP CELSIUS 280° C  
MAX TEMP FAHRENHEIT 536° F

SUGGESTED RANGE 180°/250° C  
SUGGESTED RANGE 356°/482° F



Designation	Bore (B)	Diam (D)	Speed RPM/min (*)
UC 201 BHTS 2RS VT 250°-280°	12	40	1440
UC 202 BHTS 2RS VT 250°-280°	15	40	1440
UC 203 BHTS 2RS VT 250°-280°	17	40	1440
UC 204 BHTS 2RS VT 250°-280°	20	47	1200
UC 205 BHTS 2RS VT 250°-280°	25	52	1120
UC 206 BHTS 2RS VT 250°-280°	30	62	880
UC 207 BHTS 2RS VT 250°-280°	35	72	760
UC 208 BHTS 2RS VT 250°-280°	40	80	680
UC 209 BHTS 2RS VT 250°-280°	45	85	640
UC 210 BHTS 2RS VT 250°-280°	50	90	600
UC 211 BHTS 2RS VT 250°-280°	55	100	536
UC 212 BHTS 2RS VT 250°-280°	60	110	480
UC 213 BHTS 2RS VT 250°-280°	65	120	424
UC 214 BHTS 2RS VT 250°-280°	70	125	400
UC 215 BHTS 2RS VT 250°-280°	75	130	384

Static load and max speed are calculated for the maximum temperature of application we supply this technical information only for help customer in the choice. Due the extremely difference in the condition of application. We suggest to the customer to contact our engineering service and made pratical test for check in the real condition the pratical working.

## Ball bearing for high temperature

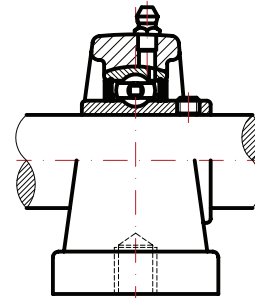
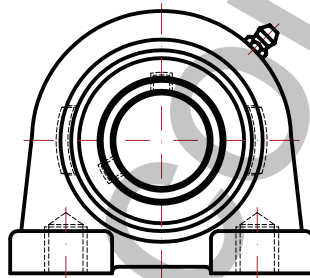
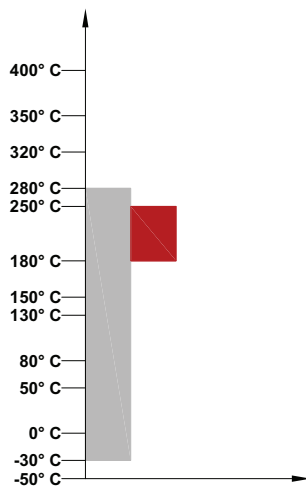
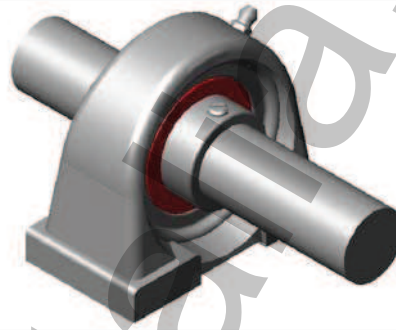
### BHTS 2RS VT 250°-280° (UCPA Serie)

MAX TEMP CELSIUS 280° C

MAX TEMP FAHRENHEIT 536° F

SUGGESTED RANGE 180°/250° C

SUGGESTED RANGE 356°/482° F



Unit code	Bearing code	Housing code
UCPA 201 BHTS 2RS VT 250°-280°	UC 201 BHTS 2RS VT 280°	SS PA 201
UCPA 202 BHTS 2RS VT 250°-280°	UC 202 BHTS 2RS VT 280°	SS PA 202
UCPA 203 BHTS 2RS VT 250°-280°	UC 203 BHTS 2RS VT 280°	SS PA 203
UCPA 204 BHTS 2RS VT 250°-280°	UC 204 BHTS 2RS VT 280°	SS PA 204
UCPA 205 BHTS 2RS VT 250°-280°	UC 205 BHTS 2RS VT 280°	SS PA 205
UCPA 206 BHTS 2RS VT 250°-280°	UC 206 BHTS 2RS VT 280°	SS PA 206
UCPA 207 BHTS 2RS VT 250°-280°	UC 207 BHTS 2RS VT 280°	SS PA 207
UCPA 208 BHTS 2RS VT 250°-280°	UC 208 BHTS 2RS VT 280°	SS PA 208
UCPA 209 BHTS 2RS VT 250°-280°	UC 209 BHTS 2RS VT 280°	SS PA 209
UCPA 210 BHTS 2RS VT 250°-280°	UC 210 BHTS 2RS VT 280°	SS PA 210
UCPA 211 BHTS 2RS VT 250°-280°	UC 211 BHTS 2RS VT 280°	SS PA 211
UCPA 212 BHTS 2RS VT 250°-280°	UC 212 BHTS 2RS VT 280°	SS PA 212
UCPA 213 BHTS 2RS VT 250°-280°	UC 213 BHTS 2RS VT 280°	SS PA 213
UCPA 214 BHTS 2RS VT 250°-280°	UC 214 BHTS 2RS VT 280°	SS PA 214
UCPA 215 BHTS 2RS VT 250°-280°	UC 215 BHTS 2RS VT 280°	SS PA 215

Static load and max speed are calculated for the maximum temperature of application we supply this technical information only for help customer in the choice. Due the extremely difference in the condition of application. We suggest to the customer to contact our engineering service and made practical test for check in the real condition the practical working.

## Ball bearing for high temperature

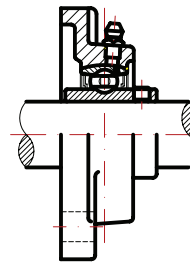
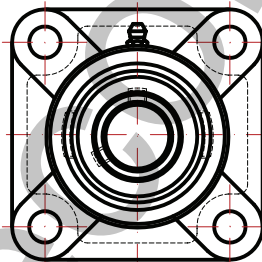
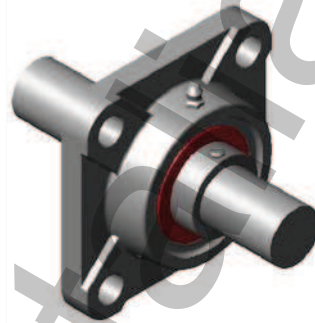
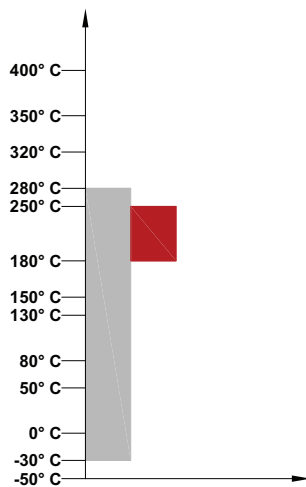
### BHTS 2RS VT 250°-280° (UCF Serie)

MAX TEMP CELSIUS 280° C

MAX TEMP FAHRENHEIT 536° F

SUGGESTED RANGE 180°/250° C

SUGGESTED RANGE 356°/482° F



Unit code	Bearing code	Housing code
UCF 201 BHTS 2RS VT 250°-280°	UC 201 BHTS 2RS VT 280°	SS F 201
UCF 202 BHTS 2RS VT 250°-280°	UC 202 BHTS 2RS VT 280°	SS F 202
UCF 203 BHTS 2RS VT 250°-280°	UC 203 BHTS 2RS VT 280°	SS F 203
UCF 204 BHTS 2RS VT 250°-280°	UC 204 BHTS 2RS VT 280°	SS F 204
UCF 205 BHTS 2RS VT 250°-280°	UC 205 BHTS 2RS VT 280°	SS F 205
UCF 206 BHTS 2RS VT 250°-280°	UC 206 BHTS 2RS VT 280°	SS F 206
UCF 207 BHTS 2RS VT 250°-280°	UC 207 BHTS 2RS VT 280°	SS F 207
UCF 208 BHTS 2RS VT 250°-280°	UC 208 BHTS 2RS VT 280°	SS F 208
UCF 209 BHTS 2RS VT 250°-280°	UC 209 BHTS 2RS VT 280°	SS F 209
UCF 210 BHTS 2RS VT 250°-280°	UC 210 BHTS 2RS VT 280°	SS F 210
UCF 211 BHTS 2RS VT 250°-280°	UC 211 BHTS 2RS VT 280°	SS F 211
UCF 212 BHTS 2RS VT 250°-280°	UC 212 BHTS 2RS VT 280°	SS F 212
UCF 213 BHTS 2RS VT 250°-280°	UC 213 BHTS 2RS VT 280°	SS F 213
UCF 214 BHTS 2RS VT 250°-280°	UC 214 BHTS 2RS VT 280°	SS F 214
UCF 215 BHTS 2RS VT 250°-280°	UC 215 BHTS 2RS VT 280°	SS F 215

Static load and max speed are calculated for the maximum temperature of application we supply this technical information only for help customer in the choice. Due the extremely difference in the condition of application. We suggest to the customer to contact our engineering service and made practical test for check in the real condition the practical working.

## Ball bearing for high temperature

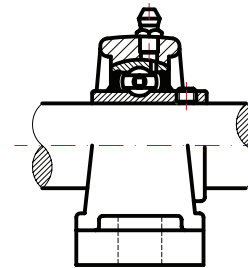
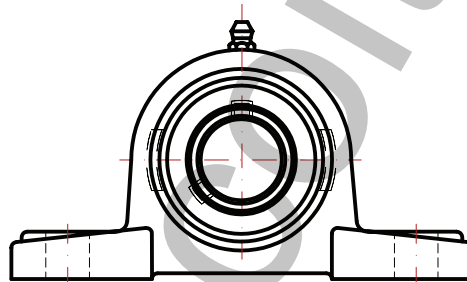
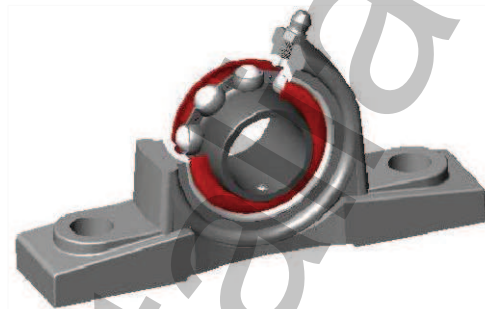
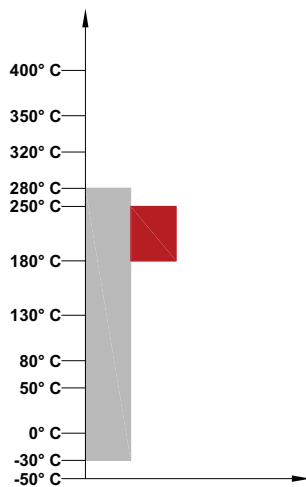
### BHTS 2RS VT 250°-280° (UCP Serie)

MAX TEMP CELSIUS 280° C

MAX TEMP FAHRENHEIT 536° F

SUGGESTED RANGE 180°/250° C

SUGGESTED RANGE 356°/482° F



Unit code	Bearing code	Housing code
UCP 201 BHTS 2RS VT 250°-280°	UC 201 BHTS 2RS VT 280°	SS P 201
UCP 202 BHTS 2RS VT 250°-280°	UC 202 BHTS 2RS VT 280°	SS P 202
UCP 203 BHTS 2RS VT 250°-280°	UC 203 BHTS 2RS VT 280°	SS P 203
UCP 204 BHTS 2RS VT 250°-280°	UC 204 BHTS 2RS VT 280°	SS P 204
UCP 205 BHTS 2RS VT 250°-280°	UC 205 BHTS 2RS VT 280°	SS P 205
UCP 206 BHTS 2RS VT 250°-280°	UC 206 BHTS 2RS VT 280°	SS P 206
UCP 207 BHTS 2RS VT 250°-280°	UC 207 BHTS 2RS VT 280°	SS P 207
UCP 208 BHTS 2RS VT 250°-280°	UC 208 BHTS 2RS VT 280°	SS P 208
UCP 209 BHTS 2RS VT 250°-280°	UC 209 BHTS 2RS VT 280°	SS P 209
UCP 210 BHTS 2RS VT 250°-280°	UC 210 BHTS 2RS VT 280°	SS P 210
UCP 211 BHTS 2RS VT 250°-280°	UC 211 BHTS 2RS VT 280°	SS P 211
UCP 212 BHTS 2RS VT 250°-280°	UC 212 BHTS 2RS VT 280°	SS P 212
UCP 213 BHTS 2RS VT 250°-280°	UC 213 BHTS 2RS VT 280°	SS P 213
UCP 214 BHTS 2RS VT 250°-280°	UC 214 BHTS 2RS VT 280°	SS P 214
UCP 215 BHTS 2RS VT 250°-280°	UC 215 BHTS 2RS VT 280°	SS P 215

Static load and max speed are calculated for the maximum temperature of application we supply this technical information only for help customer in the choice. Due the extremely difference in the condition of application. We suggest to the customer to contact our engineering service and made practical test for check in the real condition the practical working.