

# ISUZU

## INDEX

---

ASKA/アスカ	2
BIGHORN/ビッグホーン	2
COMO/コモ	3
ELF/エルフ	3
FARGO/ファーゴ	14
GEMINI/ジェミニ	16
MU/ミュー	16
PA NERO/PAネロ	17
PIAZZA/ピアッツア	17
WIZARD/ウィザード	17
CLUTCH RELEASE ILLUSTRATION/クラッチリリース図面	18

---

車種はアルファベット順記載



CLUTCH RELEASE



排気量 Displacement	燃料 Fuel	車両型式 Model	エンジン型式 Engine Type	年式 Model Year	クラッチリリース純正部番 OEM P/N. (互換部番) (Interchangeable OEM P/N.)	NTN品番 NTN P/N.	図番 Illustrations
---------------------	------------	---------------	-----------------------	------------------	--	-------------------	---------------------

ASKA/アスカ

1800cc	Gasoline	.....CJ2	.....F18B	.....1997/09~2002/03	.....5-86012126	.....	.....
	Gasoline	.....JJ110	.....4ZB1	.....1983/04~1990/05	.....8-94133417	.....	.....
2000cc	Gasoline	.....CJ3	.....F20B	.....1997/09~2002/03	.....5-86012126	.....	.....
	Gasoline	.....JJ120	.....4ZC1	.....1983/04~1990/05	.....8-94133417	.....	.....
	Diesel	.....JJ510	.....4FC1	.....1983/04~1990/05	.....8-94133417	.....	.....

BIGHORN/ビッグホーン

2200cc	Diesel	.....UBS52CK	.....C223,C223T	.....1981/09~1988/11	.....5-31321003 (9-00095040)	.....SF0816/2E	.....C01
	Diesel	.....UBS52CS	.....C223,C223T	.....1981/09~1988/11	.....5-31321003 (9-00095040)	.....SF0816/2E	.....C01
	Diesel	.....UBS52CW	.....C223,C223T	.....1984/01~1988/11	.....5-31321003 (9-00095040)	.....SF0816/2E	.....C01
	Diesel	.....UBS52FK	.....C223,C223T	.....1981/09~1988/11	.....5-31321003 (9-00095040)	.....SF0816/2E	.....C01
	Diesel	.....UBS52FW	.....C223T	.....1984/01~1988/11	.....5-31321003 (9-00095040)	.....SF0816/2E	.....C01
2800cc	Diesel	.....UBS55CK	.....4JB1T	.....1987/10~1989/10	.....8-94379441 (8-94453348)	.....	.....
	Diesel	.....UBS55CK	.....4JB1T	.....1989/11~1991/12	.....9-43794410 (8-94453348)	.....	.....
	Diesel	.....UBS55CM	.....4JB1T	.....1988/11~1989/10	.....8-94379441 (8-94453348)	.....	.....
	Diesel	.....UBS55CM	.....4JB1T	.....1989/11~1991/12	.....9-43794410 (8-94453348)	.....	.....
	Diesel	.....UBS55CW	.....4JB1T	.....1988/12~1989/10	.....8-94379441 (8-94453348)	.....	.....
	Diesel	.....UBS55CW	.....4JB1T	.....1989/11~1991/12	.....9-43794410 (8-94453348)	.....	.....
	Diesel	.....UBS55FK	.....4JB1T	.....1987/10~1989/10	.....8-94379441 (8-94453348)	.....	.....
	Diesel	.....UBS55FK	.....4JB1T	.....1989/11~1991/12	.....9-43794410 (8-94453348)	.....	.....
	Diesel	.....UBS55FM	.....4JB1T	.....1988/11~1989/10	.....8-94379441 (8-94453348)	.....	.....
	Diesel	.....UBS55FM	.....4JB1T	.....1989/11~1991/12	.....9-43794410 (8-94453348)	.....	.....
	Diesel	.....UBS55FW	.....4JB1T	.....1988/11~1989/10	.....8-94379441 (8-94453348)	.....	.....
	Diesel	.....UBS55FW	.....4JB1T	.....1989/11~1991/12	.....9-43794410 (8-94453348)	.....	.....
	3000cc	Diesel	.....UBS73DW	.....4JX1	.....1998/02~2002/08	.....8-94377417	.....
Diesel		.....UBS73GW	.....4JX1	.....1998/02~2002/08	.....8-94377417	.....	.....
3100cc	Diesel	.....UBS69DW	.....4JG2	.....1991/12~1998/03	.....8-94379441 (8-94379499)	.....	.....
	Diesel	.....UBS69GW	.....4JG2	.....1991/12~1998/03	.....8-94379441 (8-94379499)	.....	.....
3200cc	Gasoline	.....UBS25DW	.....6VD1	.....1991/12~1998/03	.....8-94377417	.....	.....
3500cc	Gasoline	.....UBS26DW	.....6VE1	.....1998/02~2002/08	.....8-94377417	.....	.....
	Gasoline	.....UBS26GW	.....6VE1	.....1998/02~2002/08	.....8-94377417	.....	.....

必ず、現品と添付イラストにて確認を願います。Please check the actual item and an attachment illustration.

			<b>CLUTCH RELEASE</b> 				
排気量 Displacement	燃料 Fuel	車両型式 Model	エンジン型式 Engine Type	年式 Model Year	クラッチレリーズ純正部番 OEM P/N. (互換部番) (Interchangeable OEM P/N.)	NTN品番 NTN P/N.	図番 Illustrations

COMO/コモ

2400cc	Gasoline	JVPE25	KA24DE	2001/05~2004/08	5-86122759		
3000cc	Diesel	JCWGE25	ZD30DD	2001/05~2004/08	5-86128655	<b>FCR62-32-14/2E</b>	C02
	Diesel	JCWGE25	ZD30DDTi	2003/05~2004/08	5-86136681	<b>FCR62-30-6/2E</b>	C03
	Diesel	JCWMGE25	ZD30DD	2001/05~2004/08	5-86128655	<b>FCR62-32-14/2E</b>	C02
	Diesel	JDWGE25	ZD30DD	2001/05~2004/08	5-86128655	<b>FCR62-32-14/2E</b>	C02
	Diesel	JDWGE25	ZD30DDTi	2003/05~2004/08	5-86136681	<b>FCR62-30-6/2E</b>	C03
	Diesel	JDWMGE25	ZD30DD	2001/05~2004/08	5-86128655	<b>FCR62-32-14/2E</b>	C02
	Diesel	JVWE25	ZD30DD	2001/05~2004/08	5-86128655	<b>FCR62-32-14/2E</b>	C02
	Diesel	JVWE25	ZD30DDTi	2003/05~2004/08	5-86136681	<b>FCR62-30-6/2E</b>	C03
	Diesel	JVWME25	ZD30DD	2001/05~2004/08	5-86128655	<b>FCR62-32-14/2E</b>	C02

ELF/エルフ

2000cc	Gasoline	ASH2F23	KA20DE	1999/06~2004/08	5-86122759		
	Gasoline	ASH4F23	KA20DE	1999/06~2004/08	5-86122759		
	Gasoline	ASK2F23	NA20S	1995/06~1996/02	5-86104535		
	Gasoline	ASK2F23	NA20S	1996/03~1999/06	5-86112739		
	Gasoline	ASK4F23	NA20S	1997/08~1999/06	5-86112739		
2500cc	Diesel	ASN2F23	TD25	1995/06~1999/06	5-86114491		
	Diesel	ASN6F23	TD25	1995/06~1999/06	5-86128655	<b>FCR62-32-14/2E</b>	C02
	Diesel	ASP8F23	TD25	1995/06~1997/08	5-86104535		
	Diesel	NHR54C	4JA1	1984/07~1993/06	8-97258191 (5-31314001)		
	Diesel	NHR54CVN	4JA1	1984/07~1993/06	8-97258191 (5-31314001)		
	Diesel	NHR54E	4JA1	1984/07~1993/06	8-97258191 (5-31314001)		
2700cc	Diesel	ASP6F23	TD27	1999/06~2002/08	5-86114491		
2800cc	Diesel	NHR55C	4JB1	1984/07~1993/06	8-97258191 (5-31314001)		
	Diesel	NHR55CA	4JB1	1990/04~1993/06	8-97258191		
	Diesel	NHR55CVN	4JB1	1984/07~1993/06	8-97258191 (5-31314001)		
	Diesel	NHR55E	4JB1	1984/07~1993/06	8-97258191 (5-31314001)		
	Diesel	NHR55EA	4JB1	1990/06~1993/06	8-97258191 (5-31314001)		
	Diesel	NHR55EVN	4JB1	1984/07~1993/06	8-97258191 (5-31314001)		
	Diesel	NHS55EA	4JB1	1991/08~1993/07	8-94379441		
	Diesel	NKR55CE	4JB1	1984/07~1993/06	8-97258191 (5-31314001)		
	Diesel	NKR55CE	4JB1	1988/07~1989/05	8-94389367 (8-94389416)		
	Diesel	NKR55E	4JB1	1984/07~1993/06	8-97258191 (5-31314001)		
	Diesel	NKR55EA	4JB1	1984/07~1993/06	8-97258191		
	Diesel	NKR55L	4JB1	1985/11~1989/07	8-97258191 (5-31314001)		

必ず、現品と添付イラストにて確認をお願いします。Please check the actual item and an attachment illustration.



CLUTCH RELEASE



排気量 Displacement	燃料 Fuel	車両型式 Model	エンジン型式 Engine Type	年式 Model Year	クラッチリリース純正部番 OEM P/N. (互換部番) (Interchangeable OEM P/N.)	NTN品番 NTN P/N.	図番 Illustrations
---------------------	------------	---------------	-----------------------	------------------	--	-------------------	---------------------

ELF/エルフ

2800cc	Diesel	.....NKR55LR	.....4JB1	.....1984/07~1993/06	.....8-97258191 (5-31314001)	.....	.....
	Diesel	.....WHR55EX	.....4JB1	.....1985/03~1993/12	.....8-97033699 (8-94379499)	.....	.....
	Diesel	.....WHR55EXH	.....4JB1	.....1985/03~1993/12	.....8-97033699 (8-94379499)	.....	.....
	Diesel	.....WKR55EXH	.....4JB1	.....1985/03~1993/12	.....8-97258191 (5-31314001)	.....	.....
3100cc	Diesel	.....NHR69C	.....4JG2	.....1993/06~2002/01	.....8-97033699 (8-94379499)	.....	.....
	Diesel	.....NHR69C	.....4JG2	.....2002/02~2003/08	.....8-97316602	.....	.....
	Diesel	.....NHR69CA	.....4JG2	.....1993/06~2002/01	.....8-97033699 (8-94379499)	.....	.....
	Diesel	.....NHR69CA	.....4JG2	.....2002/02~2002/06	.....8-97316602	.....	.....
	Diesel	.....NHR69CV	.....4JG2	.....1995/04~2002/01	.....8-97033699 (8-94379499)	.....	.....
	Diesel	.....NHR69CV	.....4JG2	.....2002/02~2002/06	.....8-97316602	.....	.....
	Diesel	.....NHR69E	.....4JG2	.....1993/06~2002/01	.....8-97033699 (8-94379499)	.....	.....
	Diesel	.....NHR69E	.....4JG2	.....2002/02~2004/08	.....8-97316602	.....	.....
	Diesel	.....NHR69EA	.....4JG2	.....1993/06~2002/01	.....8-97033699 (8-94379499)	.....	.....
	Diesel	.....NHR69EA	.....4JG2	.....2002/02~2004/08	.....8-97316602	.....	.....
	LPG	.....NHR69EA	.....4JG2	.....1998/02~2002/01	.....8-97033699 (8-94379499)	.....	.....
	LPG	.....NHR69EA	.....4JG2	.....2002/02~2004/08	.....8-97316602	.....	.....
	Diesel	.....NHR69EAV	.....4JG2	.....1993/06~2002/01	.....8-97033699 (8-94379499)	.....	.....
	Diesel	.....NHR69EAV	.....4JG2	.....2002/02~2004/08	.....8-97316602	.....	.....
	LPG	.....NHR69EAV	.....4JG2	.....1998/02~2002/01	.....8-97033699 (8-94379499)	.....	.....
	LPG	.....NHR69EAV	.....4JG2	.....2002/02~2004/08	.....8-97316602	.....	.....
	Diesel	.....NHR69EV	.....4JG2	.....1995/04~2002/01	.....8-97033699 (8-94379499)	.....	.....
	Diesel	.....NHR69EV	.....4JG2	.....2002/02~2002/06	.....8-97316602	.....	.....
	Diesel	.....NHR69EVN	.....4JG2	.....1993/06~1995/04	.....8-97033699 (8-94379499)	.....	.....
	Diesel	.....NHS69EA	.....4JG2	.....1993/07~2002/06	.....8-94379441 (8-94379499)	.....	.....
Diesel	.....NHS69EAV	.....4JG2	.....1993/07~2002/06	.....8-94379441 (8-94379499)	.....	.....	
Diesel	.....NKR69CAE	.....4JG2	.....1995/03~2001/01	.....8-97033699 (8-94379499)	.....	.....	
Diesel	.....NKR69EA	.....4JG2	.....1993/05~2001/02	.....8-97033699 (8-94379499)	.....	.....	
Diesel	.....NKR69EAV	.....4JG2	.....1993/05~2001/01	.....8-97033699 (8-94379499)	.....	.....	
Diesel	.....NKR69LAR	.....4JG2	.....1995/03~1997/04	.....8-97033699 (8-94379499)	.....	.....	

必ず、現品と添付イラストにて確認を願います。Please check the actual item and an attachment illustration.

DAIHATSU

HONDA

ISUZU

MAZDA

MITSUBISHI

NISSAN

SUBARU

SUZUKI

TOYOTA



排気量 Displacement	燃料 Fuel	車両型式 Model	エンジン型式 Engine Type	年式 Model Year	クラッチリリース純正部番 OEM P/N. (交換部番) (Interchangeable OEM P/N.)	NTN品番 NTN P/N.	図番 Illustrations
---------------------	------------	---------------	-----------------------	------------------	--	-------------------	---------------------

## ELF/エルフ

3100cc	Diesel	.....VHR69K	.....4JG2	.....1996/11~2002/06	.....8-97033699 (8-94379499)		
	Diesel	.....WHR69EA	.....4JG2	.....1995/06~2002/06	.....8-97033699 (8-94379499)		
	Diesel	.....WHR69EAH	....4JG2	.....1995/06~2002/06	.....8-97033699 (8-94379499)		
	Diesel	.....WHR69EAX	....4JG2	.....1994/01~1995/05	.....8-97033699 (8-94379499)		
	Diesel	.....WKR69EA	.....4JG2	.....1995/06~2002/06	.....8-97033699 (8-94379499)		
	Diesel	.....WKR69EAH	....4JG2	.....1995/06~2002/06	.....8-97033699 (8-94379499)		
	Diesel	.....WKR69EAX	....4JG2	.....1994/01~1995/05	.....8-97033699 (8-94379499)		
3200cc	Diesel	.....ASR2F23	.....QD32	.....1999/06~2004/08	.....5-86128656		
	Diesel	.....ASR8F23	.....QD32	.....1997/08~2004/08	.....5-86128656		
3300cc	Diesel	.....NK57LR	.....4BC2	.....1984/07~1989/07	.....8-94158408 (5-31314001)		
	Diesel	.....NKR57E	.....4BC2	.....1984/07~1989/07	.....8-94158408 (5-31314001)		
	Diesel	.....NKR57E	.....4BC2	.....1986/12~1989/05	.....8-94389367 (8-94389416)		
	Diesel	.....NKR57E2N	.....4BC2	.....1984/07~1989/07	.....8-94158408 (5-31314001)		
	Diesel	.....NKR57E2N	.....4BC2	.....1988/07~1989/05	.....8-94389367 (8-94389416)		
	Diesel	.....NKR57ED	.....4BC2	.....1984/07~1989/07	.....8-94158408 (5-31314001)		
	Diesel	.....NKR57ED	.....4BC2	.....1988/07~1989/05	.....8-94389367 (8-94389416)		
	Diesel	.....NKR57L2N	.....4BC2	.....1988/07~1989/07	.....8-94158408 (5-31314001)		
	Diesel	.....NKR57L2N	.....4BC2	.....1988/07~1989/07	.....8-94389367 (8-94389416)		
	Diesel	.....NPR57GR	.....4BC2	.....1984/07~1990/05	.....8-94158408 (5-31314001)		
	Diesel	.....NPR57GVN	....4BC2	.....1988/07~1990/05	.....8-94158408 (5-31314001)		
	Diesel	.....NPR57LN	.....4BC2	.....1988/06~1990/05	.....8-94158408 (5-31314001)		
	Diesel	.....NPR57LR	.....4BC2	.....1988/06~1990/05	.....8-94158408 (5-31314001)		
	Diesel	.....NPR57LVN	.....4BC2	.....1988/06~1990/05	.....8-94158408 (5-31314001)		
Diesel	.....NPR57PR	.....4BC2	.....1984/07~1990/05	.....8-94158408 (5-31314001)			
3600cc	Diesel	.....NKR58E	.....4BE1	.....1986/02~1990/04	.....8-94389367 (8-94389416)		
	Diesel	.....NKR58E	.....4BE1	.....1990/05~1993/06	.....8-97022320 (8-97023074)		

必ず、現品と添付イラストにて確認をお願いします。Please check the actual item and an attachment illustration.



CLUTCH RELEASE



排気量 Displacement	燃料 Fuel	車両型式 Model	エンジン型式 Engine Type	年式 Model Year	クラッチリリース純正部番 OEM P/N. (互換部番) (Interchangeable OEM P/N.)	NTN品番 NTN P/N.	図番 Illustrations
---------------------	------------	---------------	-----------------------	------------------	--	-------------------	---------------------

ELF/エルフ

3600cc	Diesel	.....NKR58E2N	.....4BE1	.....1986/02~1990/04	.....8-94389367 (8-94389416)	.....	.....
	Diesel	.....NKR58E2N	.....4BE1	.....1990/05~1993/06	.....8-97022320 (8-97023074)	.....	.....
	Diesel	.....NKR58EA	.....4BE1	.....1990/05~1995/04	.....8-97022320 (8-97023074)	.....	.....
	Diesel	.....NKR58EAV	.....4BE1	.....1993/05~1995/02	.....8-97022320 (8-97023074)	.....	.....
	Diesel	.....NKR58ED	.....4BE1	.....1986/02~1990/04	.....8-94389367 (8-94389416)	.....	.....
	Diesel	.....NKR58ED	.....4BE1	.....1990/05~1993/06	.....8-97022320 (8-97023074)	.....	.....
	Diesel	.....NKR58LAR	.....4BE1	.....1993/05~1995/02	.....8-97022320 (8-97023074)	.....	.....
	Diesel	.....NKR58LR	.....4BE1	.....1986/02~1990/04	.....8-94389367 (8-94389416)	.....	.....
	Diesel	.....NKR58LR	.....4BE1	.....1990/05~1993/06	.....8-97022320 (8-97023074)	.....	.....
	Diesel	.....NKR58LZN	.....4BE1	.....1988/07~1990/05	.....8-94389367 (8-94389416)	.....	.....
	Diesel	.....NKR63E	.....4BE2	.....1989/07~1990/05	.....8-94389367 (8-94389416)	.....	.....
	Diesel	.....NKR63E	.....4BE2	.....1990/05~1995/02	.....8-97022320 (8-97023074)	.....	.....
	Diesel	.....NKR63ED	.....4BE2	.....1989/07~1990/04	.....8-94389367 (8-94389416)	.....	.....
	Diesel	.....NKR63ED	.....4BE2	.....1990/05~1995/04	.....8-97022320 (8-97023074)	.....	.....
	Diesel	.....NKR63LR	.....4BE2	.....1990/05~1995/02	.....8-97022320 (8-97023074)	.....	.....
	Diesel	.....NKS58GDR	.....4BE1	.....1987/09~1990/04	.....8-94389367 (8-94389416)	.....	.....
	Diesel	.....NKS58GDR	.....4BE1	.....1990/05~1993/11	.....8-97022320 (8-97023074)	.....	.....
	Diesel	.....NKS58GN	.....4BE1	.....1988/08~1990/04	.....8-94389367 (8-94389416)	.....	.....
	Diesel	.....NKS58GN	.....4BE1	.....1990/05~1990/05	.....8-97022320 (8-97023074)	.....	.....
	Diesel	.....NKS58GR	.....4BE1	.....1987/09~1990/04	.....8-94389367 (8-94389416)	.....	.....
	Diesel	.....NKS58GR	.....4BE1	.....1990/05~1993/11	.....8-97022320 (8-97023074)	.....	.....
	Diesel	.....NPR58GR	.....4BE1	.....1987/12~1990/04	.....8-94389367 (8-94389416)	.....	.....
	Diesel	.....NPR58GR	.....4BE1	.....1990/05~1993/06	.....8-97023074 (8-97022320)	.....	.....
	Diesel	.....NPR58GVN	.....4BE1	.....1988/07~1990/05	.....8-94389367 (8-94389416)	.....	.....
	Diesel	.....NPR58LN	.....4BE1	.....1988/07~1990/05	.....8-94389367 (8-94389416)	.....	.....

必ず、現品と添付イラストにて確認を願います。Please check the actual item and an attachment illustration.

DAIHATSU

HONDA

ISUZU

MAZDA

MITSUBISHI

NISSAN

SUBARU

SUZUKI

TOYOTA



排気量 Displacement	燃料 Fuel	車両型式 Model	エンジン型式 Engine Type	年式 Model Year	クラッチレリーズ純正部番 OEM P/N. (互換部番) (Interchangeable OEM P/N.)	NTN品番 NTN P/N.	図番 Illustrations
---------------------	------------	---------------	-----------------------	------------------	--	-------------------	---------------------

ELF/エルフ

3600cc	Diesel	.....NPR58LR	.....4BE1	.....1987/12~1990/04	.....8-94389367 (8-94389416)		
	Diesel	.....NPR58LR	.....4BE1	.....1990/05~1993/06	.....8-97023074 (8-97022320)		
	Diesel	.....NPR58LVN	.....4BE1	.....1988/07~1990/05	.....8-94389367 (8-94389416)		
	Diesel	.....NPR58LZN	.....4BE1	.....1988/07~1990/05	.....8-94389367 (8-94389416)		
	Diesel	.....NPR58PR	.....4BE1	.....1987/02~1990/04	.....8-94389367 (8-94389416)		
	Diesel	.....NPR58PR	.....4BE1	.....1990/05~1993/06	.....8-97022320 (8-97023074)		
	Diesel	.....NPS58GR	.....4BE1	.....1988/07~1990/04	.....8-94389367 (8-94389416)		
	Diesel	.....NPS58GR	.....4BE1	.....1990/05~1993/05	.....8-97022320 (8-97023074)		
	Diesel	.....NPS58LR	.....4BE1	.....1988/07~1990/04	.....8-94389367 (8-94389416)		
	Diesel	.....NPS58LR	.....4BE1	.....1990/05~1993/05	.....8-97022320 (8-97023074)		
	Diesel	.....NPS58LVN	.....4BE1	.....1990/05~1993/05	.....8-97022320 (8-97023074)		
3900cc	Diesel	.....NPR59GDR	...4BD1	.....1984/07~1990/05	.....8-94389367 (8-94389416)		
	Diesel	.....NPR59GDR	...4BD1T	.....1984/07~1986/12	.....8-94389367 (8-94389416)		
	Diesel	.....NPR59GDR	...4BD1T	.....1987/01~1990/04	.....8-94460825 (1-09820078)		
	Diesel	.....NPR59GDR	...4BD1T	.....1990/05~1993/06	.....8-97089652 (1-09820078)		
	Diesel	.....NPR59GN	...4BD1T	.....1988/07~1990/05	.....8-94460825 (1-09820078)		
	Diesel	.....NPR59GR	...4BD1	.....1984/07~1986/02	.....8-94389367 (8-94389416)		
	Diesel	.....NPR59GYN	...4BD1T	.....1988/07~1990/05	.....8-94460825 (1-09820078)		
	Diesel	.....NPR59LQR	...4BD1	.....1984/07~1986/02	.....8-94389367 (8-94389416)		
	Diesel	.....NPR59LR	...4BD1	.....1984/07~1986/12	.....8-94389367 (8-94389416)		
	Diesel	.....NPR59LR	...4BD1	.....1987/01~1990/05	.....8-94460825 (1-09820078)		
	Diesel	.....NPR59LR	...4BD1T	.....1984/07~1986/12	.....8-94389367 (8-94389416)		
	Diesel	.....NPR59LR	...4BD1T	.....1987/01~1990/04	.....8-94460825 (1-09820078)		
	Diesel	.....NPR59LR	...4BD1T	.....1990/05~1993/06	.....8-97089652 (1-09820078)		
	Diesel	.....NPR59LVN	...4BD1T	.....1986/03~1986/12	.....8-94389367 (8-94389416)		

必ず、現品と添付イラストにて確認をお願いします。Please check the actual item and an attachment illustration.



CLUTCH RELEASE



排気量 Displacement	燃料 Fuel	車両型式 Model	エンジン型式 Engine Type	年式 Model Year	クラッチリリース純正部番 OEM P/N. (互換部番) (Interchangeable OEM P/N.)	NTN品番 NTN P/N.	図番 Illustrations
---------------------	------------	---------------	-----------------------	------------------	--	-------------------	---------------------

ELF/エルフ

3600cc	Diesel	.....NPR59LVN	.....4BD1T	.....1987/01~1990/04	.....8-94460825 (1-09820078)	.....	.....
	Diesel	.....NPR59LVN	.....4BD1T	.....1990/05~1993/06	.....8-97089652 (1-09820078)	.....	.....
	Diesel	.....NPR59LYR	.....4BD1	.....1986/03~1986/12	.....8-94389367 (8-94389416)	.....	.....
	Diesel	.....NPR59LYR	.....4BD1	.....1987/01~1990/05	.....8-94460825 (1-09820078)	.....	.....
	Diesel	.....NPR59LYR	.....4BD1T	.....1986/03~1986/12	.....8-94389367 (8-94389416)	.....	.....
	Diesel	.....NPR59LYR	.....4BD1T	.....1987/01~1990/04	.....8-94460825 (1-09820078)	.....	.....
	Diesel	.....NPR59LYR	.....4BD1T	.....1990/05~1993/06	.....8-97089652 (1-09820078)	.....	.....
	Diesel	.....NPR59LZN	.....4BD1T	.....1988/07~1990/05	.....8-94460825 (1-09820078)	.....	.....
	Diesel	.....NPR59PQR	.....4BD1	.....1984/07~1986/02	.....8-94389367 (8-94389416)	.....	.....
	Diesel	.....NPR59PR	.....4BD1	.....1984/07~1986/12	.....8-94389367 (8-94389416)	.....	.....
	Diesel	.....NPR59PR	.....4BD1	.....1987/01~1990/05	.....8-94460825 (1-09820078)	.....	.....
	Diesel	.....NPR59PR	.....4BD1T	.....1984/07~1986/12	.....8-94389367 (8-94389416)	.....	.....
	Diesel	.....NPR59PR	.....4BD1T	.....1987/01~1990/04	.....8-94460825 (1-09820078)	.....	.....
	Diesel	.....NPR59PR	.....4BD1T	.....1990/05~1993/06	.....8-97089652 (1-09820078)	.....	.....
	Diesel	.....NPR59PVN	.....4BD1T	.....1986/03~1986/12	.....8-94389367 (8-94389416)	.....	.....
	Diesel	.....NPR59PVN	.....4BD1T	.....1987/01~1990/04	.....8-94460825 (1-09820078)	.....	.....
	Diesel	.....NPR59PVN	.....4BD1T	.....1990/05~1993/06	.....8-97089652 (1-09820078)	.....	.....
	Diesel	.....NPR59PYR	.....4BD1	.....1986/03~1986/12	.....8-94389367 (8-94389416)	.....	.....
	Diesel	.....NPR59PYR	.....4BD1	.....1987/01~1990/05	.....8-94460825 (1-09820078)	.....	.....
	Diesel	.....NPR59PYR	.....4BD1T	.....1986/03~1986/12	.....8-94389367 (8-94389416)	.....	.....
	Diesel	.....NPR59PYR	.....4BD1T	.....1987/01~1990/04	.....8-94460825 (1-09820078)	.....	.....
	Diesel	.....NPR59PYR	.....4BD1T	.....1990/05~1993/06	.....8-97089652 (1-09820078)	.....	.....
	Diesel	.....NPS59GN	.....4BD1T	.....1987/12~1990/04	.....8-94460825 (1-09820078)	.....	.....
	Diesel	.....NPS59GN	.....4BD1T	.....1990/05~1993/05	.....8-97022320 (8-97023074)	.....	.....
	Diesel	.....NPS59LN	.....4BD1T	.....1987/12~1990/04	.....8-94460825 (1-09820078)	.....	.....

必ず、現品と添付イラストにて確認を願います。Please check the actual item and an attachment illustration.





排気量 Displacement	燃料 Fuel	車両型式 Model	エンジン型式 Engine Type	年式 Model Year	クラッチリリース純正部番 OEM P/N. (交換部番) (Interchangeable OEM P/N.)	NTN品番 NTN P/N.	図番 Illustrations
---------------------	------------	---------------	-----------------------	------------------	--	-------------------	---------------------

ELF/エルフ

3600cc	Diesel	.....NPS59LN	.....4BD1T	.....1990/05~1990/05	.....8-97089652 (1-09820078)		
4300cc	Diesel	.....NKR66E	.....4HF1	.....1990/05~2001/01	.....8-97089652 (1-09820078)		
	Diesel	.....NKR66E2N	.....4HF1	.....1990/05~1997/04	.....8-97089652 (1-09820078)		
	Diesel	.....NKR66E3N	.....4HF1	.....1995/03~2001/01	.....8-97089652		
	Diesel	.....NKR66EA	.....4HF1	.....1993/05~2001/02	.....8-97089652 (1-09820078)		
	Diesel	.....NKR66EAV	.....4HF1	.....1993/05~2001/01	.....8-97089652 (1-09820078)		
	CNG	.....NKR66EAV	.....4HF1	.....1998/07~2002/03	.....8-97089652		
	Diesel	.....NKR66ED	.....4HF1	.....1990/05~2001/02	.....8-97089652 (1-09820078)		
	Diesel	.....NKR66EDN	.....4HF1	.....1995/03~2001/01	.....8-97089652		
	Diesel	.....NKR66EN	.....4HF1	.....1990/05~1995/02	.....8-97089652 (1-09820078)		
	Diesel	.....NKR66EP	.....4HF1	.....1995/03~2001/01	.....8-97089652		
	CNG	.....NKR66EP	.....4HF1	.....1998/07~2002/03	.....8-97089652		
	Diesel	.....NKR66EPN	.....4HF1	.....1993/05~1995/02	.....8-97089652 (1-09820078)		
	Diesel	.....NKR66ER	.....4HF1	.....1995/03~2001/01	.....8-97089652		
	Diesel	.....NKR66GAV	.....4HF1	.....1993/05~2001/01	.....8-97089652 (1-09820078)		
	Diesel	.....NKR66GN	.....4HF1	.....1993/05~1999/04	.....8-97089652 (1-09820078)		
	Diesel	.....NKR66LAR	.....4HF1	.....1993/05~2001/02	.....8-97089652 (1-09820078)		
	Diesel	.....NKR66LAV	.....4HF1	.....1993/05~2001/01	.....8-97089652 (1-09820078)		
	CNG	.....NKR66LAV	.....4HF1	.....1998/07~2002/03	.....8-97089652		
	Diesel	.....NKR66LR	.....4HF1	.....1990/05~2001/01	.....8-97089652 (1-09820078)		
	Diesel	.....NKR66LV	.....4HF1	.....1998/07~2001/01	.....8-97089652		
	CNG	.....NKR66LV	.....4HF1	.....1998/07~2002/03	.....8-97089652		
	Diesel	.....NKR66LVN	.....4HF1	.....1990/05~1995/02	.....8-97089652 (1-09820078)		
	CNG	.....NKR81E	.....4HF1	.....2002/04~2004/08	.....8-97089652		
	CNG	.....NKR81E3N	.....4HF1	.....2002/04~2004/08	.....8-97089652		
	CNG	.....NKR81EAV	.....4HF1	.....2002/04~2004/08	.....8-97089652		
	CNG	.....NKR81EP	.....4HF1	.....2002/04~2004/08	.....8-97089652		
	CNG	.....NKR81LAV	.....4HF1	.....2002/04~2004/08	.....8-97089652		
	CNG	.....NKR81LV	.....4HF1	.....2002/04~2004/08	.....8-97089652		
	Diesel	.....NKS66GA	.....4HF1	.....1995/04~1999/04	.....8-97089652		
	Diesel	.....NKS66GAR	.....4HF1	.....1997/04~1999/04	.....8-97089652		
	Diesel	.....NKS66GAV	.....4HF1	.....1995/04~1999/04	.....8-97089652		
	Diesel	.....NKS66GDR	.....4HF1	.....1993/11~1995/04	.....8-97089652 (1-09820078)		

必ず、現品と添付イラストにて確認をお願いします。Please check the actual item and an attachment illustration.



CLUTCH RELEASE



排気量 Displacement	燃料 Fuel	車両型式 Model	エンジン型式 Engine Type	年式 Model Year	クラッチリリース純正部番 OEM P/N. (互換部番) (Interchangeable OEM P/N.)	NTN品番 NTN P/N.	図番 Illustrations
---------------------	------------	---------------	-----------------------	------------------	--	-------------------	---------------------

ELF/エルフ

4300cc	Diesel	.....NKS66GR	.....4HF1	.....1993/11~1999/04	.....8-97089652 (1-09820078)	.....	.....
	Diesel	.....NKS66L	.....4HF1	.....1993/05~1999/04	.....8-97089652 (1-09820078)	.....	.....
	Diesel	.....NPR61PR	.....4BG1	.....1988/07~1990/05	.....8-94460825 (1-09820078)	.....	.....
	Diesel	.....NPR61PYR	.....4BG1	.....1988/07~1990/05	.....8-94460825 (1-09820078)	.....	.....
	Diesel	.....NPR66GDR	.....4HF1	.....1990/05~1995/03	.....8-97089652 (1-09820078)	.....	.....
	Diesel	.....NPR66GR	.....4HF1	.....1990/05~1997/04	.....8-97089652 (1-09820078)	.....	.....
	Diesel	.....NPR66GVN	.....4HF1	.....1990/05~1993/06	.....8-97089652 (1-09820078)	.....	.....
	Diesel	.....NPR66LR	.....4HF1	.....1990/05~2006.06	.....8-97089652 (1-09820078)	.....	.....
	Diesel	.....NPR66LV	.....4HF1	.....1995/03~2006.06	.....8-97089652 (1-09820078)	.....	.....
	Diesel	.....NPR66LVN	.....4HF1	.....1993/05~1995/03	.....8-97089652 (1-09820078)	.....	.....
	Diesel	.....NPR66LYR	.....4HF1	.....1990/05~1993/06	.....8-97089652 (1-09820078)	.....	.....
	Diesel	.....NPR66PR	.....4HF1	.....1990/05~1997/04	.....8-97089652 (1-09820078)	.....	.....
	Diesel	.....NPR66PVN	.....4HF1	.....1993/05~1995/03	.....8-97089652 (1-09820078)	.....	.....
	Diesel	.....NPR66PYR	.....4HF1	.....1990/05~1993/06	.....8-97089652 (1-09820078)	.....	.....
	CNG	.....NPR72LR	.....4HF1	.....2002/04~2004/08	.....8-97089652	.....	.....
	CNG	.....NPR72LV	.....4HF1	.....2002/04~2004/08	.....8-97089652	.....	.....
	CNG	.....NPR72PV	.....4HF1	.....2002/04~2004/08	.....8-97089652	.....	.....
	Diesel	.....NPS66GN	.....4HF1	.....1993/12~1995/02	.....8-97089652 (1-09820078)	.....	.....
	Diesel	.....NPS66LN	.....4HF1	.....1993/12~1995/02	.....8-97089652 (1-09820078)	.....	.....
	Diesel	.....VKR66K	.....4HF1	.....1996/11~2002/06	.....8-97089652	.....	.....
4600cc	Diesel	.....NKR71E	.....4HG1	.....1999/04~2001/01	.....8-97089652	.....	.....
	Diesel	.....NKR71E3N	.....4HG1	.....1999/04~2001/01	.....8-97089652	.....	.....
	Diesel	.....NKR71EA	.....4HG1	.....1995/03~2001/02	.....8-97089652	.....	.....
	Diesel	.....NKR71EAV	.....4HG1	.....1999/04~2001/01	.....8-97089652	.....	.....
	Diesel	.....NKR71ED	.....4HG1	.....1995/03~2001/02	.....8-97089652	.....	.....
	Diesel	.....NKR71EDN	.....4HG1	.....1995/03~2001/01	.....8-97089652	.....	.....
	Diesel	.....NKR71EN	.....4HG1	.....1997/04~2001/01	.....8-97089652	.....	.....
	Diesel	.....NKR71EP	.....4HG1	.....1999/04~2001/01	.....8-97089652	.....	.....
	LPG	.....NKR71EP	.....4HG1	.....2000/09~2002/03	.....8-97089652	.....	.....
	Diesel	.....NKR71ER	.....4HG1	.....1995/03~2001/01	.....8-97089652	.....	.....
	LPG	.....NKR71ER	.....4HG1	.....2000/09~2002/03	.....8-97089652	.....	.....
	Diesel	.....NKR71GAV	.....4HG1	.....1997/04~2001/01	.....8-97089652	.....	.....

必ず、現品と添付イラストにて確認を願います。Please check the actual item and an attachment illustration.



排気量 Displacement	燃料 Fuel	車両型式 Model	エンジン型式 Engine Type	年式 Model Year	クラッチリリース純正部番 OEM P/N. (交換部番) (Interchangeable OEM P/N.)	NTN品番 NTN P/N.	図番 Illustrations
---------------------	------------	---------------	-----------------------	------------------	--	-------------------	---------------------

ELF/エルフ

4600cc	Diesel	.....NKR71GAV	...4GF1	.....1999/04~2001/01	.....8-97089652	.....	.....
	Diesel	.....NKR71GN	.....4HG1	.....1995/03~2001/02	.....8-97089652	.....	.....
	Diesel	.....NKR71LAR	.....4HG1	.....1995/03~2001/02	.....8-97089652	.....	.....
	Diesel	.....NKR71LAV	.....4HG1	.....1995/03~2001/01	.....8-97089652	.....	.....
	Diesel	.....NKR71LAV	.....4GF1	.....1999/04~2001/01	.....8-97089652	.....	.....
	LPG	.....NKR71LAV	.....4HG1	.....2000/09~2002/03	.....8-97089652	.....	.....
	Diesel	.....NKR71LN	.....4HG1	.....1997/04~2001/01	.....8-97089652	.....	.....
	Diesel	.....NKR71LR	.....4HG1	.....1995/03~2001/01	.....8-97089652	.....	.....
	Diesel	.....NKR71LV	.....4HG1	.....1995/03~2001/01	.....8-97089652	.....	.....
	Diesel	.....NKR71LV	.....4GF1	.....1999/04~2001/01	.....8-97089652	.....	.....
	LPG	.....NKR71LV	.....4HG1	.....2000/09~2002/03	.....8-97089652	.....	.....
	Diesel	.....NKS71EA	.....4HG1	.....2000/12~2002/06	.....8-97089652	.....	.....
	Diesel	.....NKS71EAD	.....4HG1	.....2000/12~2002/06	.....8-97089652	.....	.....
	Diesel	.....NKS71G	.....4HG1	.....1993/05~1999/04	.....8-97089652	.....	.....
	Diesel	.....NKS71GA	.....4HG1	.....1999/04~2002/06	.....8-97089652	.....	.....
	Diesel	.....NKS71GAR	...4HG1	.....1999/04~2002/06	.....8-97089652	.....	.....
	Diesel	.....NKS71GAV	.....4HG1	.....1999/04~2002/06	.....8-97089652	.....	.....
	Diesel	.....NKS71GDR	...4HG1	.....1995/04~2002/06	.....8-97089652	.....	.....
	Diesel	.....NKS71GR	.....4HG1	.....1995/04~2002/06	.....8-97089652	.....	.....
	Diesel	.....NKS71LAR	.....4HG1	.....1997/04~2002/06	.....8-97089652	.....	.....
	Diesel	.....NKS71LAV	.....4HG1	.....1999/04~2002/06	.....8-97089652	.....	.....
	Diesel	.....NKS71LN	.....4HG1	.....1999/04~2002/06	.....8-97089652	.....	.....
	Diesel	.....NPR71GDR	...4HG1	.....1995/03~1997/04	.....8-97089652	.....	.....
	Diesel	.....NPR71GR	.....4HG1	.....1995/03~2002/06	.....8-97089652	.....	.....
	Diesel	.....NPR71GV	.....4HG1	.....1999/04~2002/06	.....8-97089652	.....	.....
	Diesel	.....NPR71LAR	.....4HG1	.....2000/12~2002/06	.....8-97089652	.....	.....
	Diesel	.....NPR71LAV	.....4HG1	.....1999/04~2002/06	.....8-97089652	.....	.....
	Diesel	.....NPR71LR	.....4HG1	.....1995/03~2002/06	.....8-97089652	.....	.....
	Diesel	.....NPR71LV	.....4HG1	.....1995/03~2002/06	.....8-97089652	.....	.....
	CNG	.....NPR71LV	.....4HG1	.....1998/07~2002/06	.....8-97089652	.....	.....
	Diesel	.....NPR71LZ	.....4HG1	.....1999/04~2002/06	.....8-97089652	.....	.....
	Diesel	.....NPR71PAR	.....4HG1	.....2000/12~2002/06	.....8-97089652	.....	.....
	Diesel	.....NPR71PAV	.....4HG1	.....2000/12~2002/06	.....8-97089652	.....	.....
Diesel	.....NPR71PR	.....4HG1	.....1995/03~2002/06	.....8-97089652	.....	.....	
Diesel	.....NPR71PV	.....4HG1	.....1995/03~2002/06	.....8-97089652	.....	.....	
CNG	.....NPR71PV	.....4HG1	.....2001/05~2002/03	.....8-97089652	.....	.....	
Diesel	.....NPS71GN	.....4HG1	.....1995/03~1997/03	.....8-97089652	.....	.....	
Diesel	.....NPS71LN	.....4HG1	.....1995/03~1997/03	.....8-97089652	.....	.....	
4800cc	LPG	.....NKR81E	.....4HG1	.....2002/04~2004/08	.....8-97089652	.....	.....
	LPG	.....NKR81EAV	.....4HG1	.....2002/04~2004/08	.....8-97089652	.....	.....
	LPG	.....NKR81EP	.....4HG1	.....2002/04~2004/08	.....8-97089652	.....	.....
	LPG	.....NKR81GL	.....4HG1	.....2002/04~2004/08	.....8-97089652	.....	.....
	LPG	.....NKR81LAV	.....4HG1	.....2002/04~2004/08	.....8-97089652	.....	.....
	LPG	.....NKR81LV	.....4HG1	.....2002/04~2004/08	.....8-97089652	.....	.....

必ず、現品と添付イラストにて確認をお願いします。Please check the actual item and an attachment illustration.



CLUTCH RELEASE



排気量 Displacement	燃料 Fuel	車両型式 Model	エンジン型式 Engine Type	年式 Model Year	クラッチリリース純正部番 OEM P/N. (互換部番) (Interchangeable OEM P/N.)	NTN品番 NTN P/N.	図番 Illustrations
---------------------	------------	---------------	-----------------------	------------------	--	-------------------	---------------------

ELF/エルフ

4800cc	Diesel	.....NKR81LV	.....4HE1T	.....2002/05~2004/08	.....8-97255313	.....	.....
	Diesel	.....NPR70GDR	.....4HE1T	.....1993/05~1999/04	.....1-31320034 (1-09820078)	.....	.....
	Diesel	.....NPR70LR	.....4HE1T	.....1993/05~1999/04	.....1-31320034 (1-09820078)	.....	.....
	Diesel	.....NPR70LV	.....4HE1T	.....1993/05~1999/04	.....1-31320034 (1-09820078)	.....	.....
	Diesel	.....NPR70LVN	.....4HE1T	.....1993/05~1995/03	.....1-31320034 (1-09820078)	.....	.....
	Diesel	.....NPR70LYR	.....4HE1T	.....1993/05~1999/04	.....1-31320034 (1-09820078)	.....	.....
	Diesel	.....NPR70PR	.....4HE1T	.....1993/05~1999/04	.....1-31320034 (1-09820078)	.....	.....
	Diesel	.....NPR70PV	.....4HE1T	.....1995/03~1999/04	.....1-31320034 (1-09820078)	.....	.....
	Diesel	.....NPR70PVN	.....4HE1T	.....1993/05~1995/03	.....1-31320034 (1-09820078)	.....	.....
	Diesel	.....NPR70PYR	.....4HE1T	.....1993/05~1997/04	.....1-31320034 (1-09820078)	.....	.....
	Diesel	.....NKR81E	.....4HL1	.....2002/05~2004/08	.....8-97255313	.....	.....
	Diesel	.....NKR81E3N	.....4HL1	.....2002/05~2004/08	.....8-97255313	.....	.....
	Diesel	.....NKR81EA	.....4HL1,4HL1N	.....2002/05~2004/08	.....8-97255313	.....	.....
	Diesel	.....NKR81EAV	.....4HL1	.....2002/05~2004/08	.....8-97255313	.....	.....
	Diesel	.....NKR81ED	.....4HL1	.....2002/05~2004/08	.....8-97255313	.....	.....
	Diesel	.....NKR81EN	.....4HL1	.....2002/05~2004/08	.....8-97255313	.....	.....
	Diesel	.....NKR81EP	.....4HL1	.....2002/05~2004/08	.....8-97255313	.....	.....
	Diesel	.....NKR81GAV	.....4HL1	.....2002/05~2004/08	.....8-97255313	.....	.....
	Diesel	.....NKR81GN	.....4HL1	.....2002/05~2004/08	.....8-97255313	.....	.....
	Diesel	.....NKR81LAR	.....4HL1	.....2002/05~2004/08	.....8-97255313	.....	.....
	Diesel	.....NKR81LAV	.....4HL1	.....2002/05~2004/08	.....8-97255313	.....	.....
	Diesel	.....NKR81LN	.....4HL1	.....2002/05~2004/08	.....8-97255313	.....	.....
	Diesel	.....NKR81LR	.....4HL1	.....2002/05~2004/08	.....8-97255313	.....	.....
	Diesel	.....NPR81GR	.....4HL1	.....2002/05~2004/08	.....8-97255313	.....	.....
	Diesel	.....NPR81GV	.....4HL1	.....2002/05~2004/08	.....8-97255313	.....	.....
	Diesel	.....NPR81LAR	.....4HL1	.....2002/05~2004/08	.....8-97255313	.....	.....
	Diesel	.....NPR81LAV	.....4HL1	.....2002/05~2004/08	.....8-97255313	.....	.....
	Diesel	.....NPR81LR	.....4HL1,4HL1N	.....2002/05~2004/08	.....8-97255313	.....	.....
	Diesel	.....NPR81LV	.....4HL1,4HL1N	.....2002/05~2004/08	.....8-97255313	.....	.....
	Diesel	.....NPR81LZ	.....4HL1	.....2002/05~2004/08	.....8-97255313	.....	.....
	Diesel	.....NPR81PAR	.....4HL1	.....2002/05~2004/08	.....8-97255313	.....	.....
	Diesel	.....NPR81PAV	.....4HL1	.....2002/05~2004/08	.....8-97255313	.....	.....
	Diesel	.....NPR81PR	.....4HL1,4HL1N	.....2002/05~2004/08	.....8-97255313	.....	.....
	Diesel	.....NPR81PV	.....4HL1	.....2002/05~2004/08	.....8-97255313	.....	.....

必ず、現品と添付イラストにて確認を願います。Please check the actual item and an attachment illustration.



CLUTCH RELEASE



排気量 Displacement	燃料 Fuel	車両型式 Model	エンジン型式 Engine Type	年式 Model Year	クラッチリリース純正部番 OEM P/N. (交換部番) (Interchangeable OEM P/N.)	NTN品番 NTN P/N.	図番 Illustrations
---------------------	------------	---------------	-----------------------	------------------	--	-------------------	---------------------

ELF/エルフ

4900cc	Diesel	.....NKR61E	.....4BG1	.....1989/07~1990/05	.....8-94460825 (1-09820078)		
	Diesel	.....NKR61ED	.....4BG1	.....1989/07~1990/05	.....8-94460825 (1-09820078)		
	Diesel	.....NKR61LR	.....4BG1	.....1989/07~1990/05	.....8-94460825 (1-09820078)		
5000cc	Diesel	.....NKR72E	.....4HJ1	.....2000/12~2001/01	.....8-97089652		
	Diesel	.....NKR72E3N	.....4HJ1	.....2000/12~2001/01	.....8-97089652		
	Diesel	.....NKR72ED	.....4HJ1,4HJ1N	.....2000/02~2001/01	.....8-97089652		
	Diesel	.....NKR72EDN	.....4HJ1,4HJ1N	.....2000/02~2001/01	.....8-97089652		
	Diesel	.....NKR72EN	.....4HJ1	.....2000/12~2001/01	.....8-97089652		
	Diesel	.....NKR72EP	.....4HJ1	.....2000/12~2001/01	.....8-97089652		
	Diesel	.....NKR72ER	.....4HJ1,4HJ1N	.....2000/02~2001/01	.....8-97089652		
	Diesel	.....NKR72EV	.....4HJ1	.....2000/12~2001/01	.....8-97089652		
	Diesel	.....NKR72GN	.....4HJ1	.....2000/12~2001/01	.....8-97089652		
	Diesel	.....NKR72LN	.....4HJ1	.....2000/02~2001/01	.....8-97089652		
	Diesel	.....NKR72LR	.....4HJ1,4HJ1N	.....2000/02~2001/01	.....8-97089652		
	Diesel	.....NKR72LV	.....4HJ1	.....2000/12~2001/01	.....8-97089652		
	Diesel	.....NPR72GDR	.....4HJ1	.....1997/04~2004/08	.....8-97089652		
	Diesel	.....NPR72GN	.....4HJ1	.....2002/04~2004/08	.....8-97255313		
	Diesel	.....NPR72GR	.....4HJ1	.....1997/04~2004/08	.....8-97089652		
	Diesel	.....NPR72GV	.....4HJ1	.....2000/12~2004/08	.....8-97089652		
	Diesel	.....NPR72GY	.....4HJ1	.....1998/01~2002/06	.....8-97089652		
	Diesel	.....NPR72LAR	.....4HJ1	.....1999/08~2004/08	.....8-97089652		
	Diesel	.....NPR72LAV	.....4HJ1	.....2000/12~2004/08	.....8-97089652		
	Diesel	.....NPR72LR	.....4HJ1	.....1997/04~2004/08	.....8-97089652		
	Diesel	.....NPR72LV	.....4HJ1	.....1997/04~2004/08	.....8-97089652		
	Diesel	.....NPR72LYR	.....4HJ1	.....2000/12~2002/06	.....8-97089652		
	Diesel	.....NPR72PAR	.....4HJ1	.....1999/08~2004/08	.....8-97089652		
	Diesel	.....NPR72PAV	.....4HJ1	.....2000/12~2004/08	.....8-97089652		
	Diesel	.....NPR72PR	.....4HJ1	.....1997/04~2004/08	.....8-97089652		
	Diesel	.....NPR72PV	.....4HJ1	.....1998/01~2004/08	.....8-97089652		
	Diesel	.....NPR72PYR	.....4HJ1	.....2000/12~2002/06	.....8-97089652		
	Diesel	.....NPS72GN	.....4HJ1	.....1997/04~2004/08	.....8-97089652		
	Diesel	.....NPS72GN	.....4HJ1	.....2002/06~2004/08	.....8-97255313		
	Diesel	.....NPS72LAR	.....4HJ1	.....2002/10~2004/08	.....8-97255313		
	Diesel	.....NPS72LAV	.....4HJ1	.....2002/10~2004/08	.....8-97255313		
	Diesel	.....NPS72LN	.....4HJ1	.....1997/04~2004/08	.....8-97089652		
Diesel	.....NPS72LN	.....4HJ1	.....2002/06~2004/08	.....8-97255313			
Diesel	.....NPS72PAR	.....4HJ1	.....2002/10~2004/08	.....8-97255313			
Diesel	.....NPS72PAV	.....4HJ1	.....2002/10~2004/08	.....8-97255313			
5200cc	Diesel	.....NPR75GDR	.....4HK1T	.....1999/04~2002/06	.....1-31320034 (1-09820078)		
	Diesel	.....NPR75LR	.....4HK1T	.....1999/04~2004/08	.....1-31320034 (1-09820078)		

必ず、現品と添付イラストにて確認をお願いします。Please check the actual item and an attachment illustration.



CLUTCH RELEASE



排気量 Displacement	燃料 Fuel	車両型式 Model	エンジン型式 Engine Type	年式 Model Year	クラッチリリース純正部番 OEM P/N. (互換部番) (Interchangeable OEM P/N.)	NTN品番 NTN P/N.	図番 Illustrations
---------------------	------------	---------------	-----------------------	------------------	--	-------------------	---------------------

ELF/エルフ

5200cc	Diesel	.....NPR75LV	.....4HK1T	.....1999/04~2004/08	.....1-31320034 (1-09820078)		
	Diesel	.....NPR75LYR	.....4HK1T	.....1999/04~2002/06	.....1-31320034 (1-09820078)		
	Diesel	.....NPR75PR	.....4HK1T	.....1999/04~2004/08	.....1-31320034 (1-09820078)		
	Diesel	.....NPR75PV	.....4HK1T	.....1999/04~2004/08	.....1-31320034 (1-09820078)		
	Diesel	.....NPR75PYR	.....4HK1T	.....1999/04~2002/06	.....1-31320034 (1-09820078)		

FARGO/ファーゴ

2000cc	Gasoline	.....JCPGE24	.....KA20DE	.....1999/06~2001/04	.....5-86012275		
	Gasoline	.....JVPE24	.....KA20DE	.....1999/06~2001/04	.....5-86122759		
	Gasoline	.....JVPGE24	.....KA20DE	.....1999/06~2001/04	.....5-86122759		
	Gasoline	.....JVTGE24	.....NA20S	.....1996/08~1999/03	.....5-86112739		
	Gasoline	.....JVTGE24	.....NA20S	.....1999/04~1999/06	.....5-86122759		
	Gasoline	.....NFR12DT	.....4ZC1	.....1988/08~1994/06	.....9-31320620 (9-00095040)	<b>SF0816/2E</b>	C01
	Gasoline	.....WFR12DV	.....4ZC1	.....1985/12~1995/08	.....9-31320620 (9-00095040)	<b>SF0816/2E</b>	C01
	Gasoline	.....WFR12FV	.....4ZC1	.....1987/10~1995/08	.....9-31320620 (9-00095040)	<b>SF0816/2E</b>	C01
	Gasoline	.....WFR12FVH	.....4ZC1	.....1987/10~1995/08	.....9-31320620 (9-00095040)	<b>SF0816/2E</b>	C01
	Diesel	.....WFR51DVZ	.....4FC1T	.....1985/12~1988/11	.....8-94438300 (8-94101243)		
	Diesel	.....WFR51DW	.....4FC1T	.....1985/12~1990/12	.....8-94438300 (8-94101243)		
	Diesel	.....WFR51FVH	.....4FC1T	.....1985/12~1988/11	.....8-94438300 (8-94101243)		
	Diesel	.....WFR51FVZ	.....4FC1T	.....1985/12~1988/11	.....8-94438300 (8-94101243)		
	Diesel	.....WFS51DV	.....4FC1T	.....1985/12~1988/11	.....8-94438300 (8-94101243)		
	Diesel	.....WFS51DW	.....4FC1T	.....1985/12~1990/12	.....8-94438300 (8-94101243)		
	Diesel	.....WFS51FV	.....4FC1T	.....1985/12~1988/11	.....8-94438300 (8-94101243)		
	Diesel	.....WFS51FVH	.....4FC1T	.....1985/12~1988/11	.....8-94438300 (8-94101243)		
2200cc	Diesel	.....WFR53DV	.....4FD1	.....1983/10~1988/11	.....9-31320620 (9-00095040)	<b>SF0816/2E</b>	C01
	Diesel	.....WFR53FBH	.....4FD1	.....1983/12~1988/11	.....9-31320620 (9-00095040)	<b>SF0816/2E</b>	C01
	Diesel	.....WFR53FV	.....4FD1	.....1983/10~1988/11	.....9-31320620 (9-00095040)	<b>SF0816/2E</b>	C01
	Diesel	.....WFR53FVH	.....4FD1	.....1983/10~1988/11	.....9-31320620 (9-00095040)	<b>SF0816/2E</b>	C01

必ず、現品と添付イラストにて確認を願います。Please check the actual item and an attachment illustration.



排気量 Displacement	燃料 Fuel	車両型式 Model	エンジン型式 Engine Type	年式 Model Year	クラッチリリース純正部番 OEM P/N. (互換部番) (Interchangeable OEM P/N.)	NTN品番 NTN P/N.	図番 Illustrations
---------------------	------------	---------------	-----------------------	------------------	--	-------------------	---------------------

FARGO/ファーゴ

2200cc	Diesel	.....WFS53DV	.....4FD1	.....1985/12~1988/11	.....8-94438300 (8-94101243)		
	Diesel	.....WFS53FV	.....4FD1	.....1985/12~1988/11	.....8-94438300 (8-94101243)		
	Diesel	.....WFS53FVH	...4FD1	.....1985/12~1988/11	.....8-94438300 (8-94101243)		
2400cc	Diesel	.....NFR62DT	.....4FG1	.....1988/08~1994/06	.....8-94438300 (8-94101243)		
	Diesel	.....NFS62DT	.....4FG1	.....1988/08~1994/06	.....8-94438300 (8-94101243)		
	Diesel	.....WFR62DV	.....4FG1	.....1987/10~1995/08	.....8-94438300 (8-94101243)		
	Diesel	.....WFR62DW	.....4FG1,4FG1T	...1992/12~1995/08	.....8-94438300 (8-94101243)		
	Diesel	.....WFR62FBH	...4FG1	.....1988/01~1995/08	.....8-94438300 (8-94101243)		
	Diesel	.....WFR62FV	.....4FG1	.....1987/10~1995/08	.....8-94438300 (8-94101243)		
	Diesel	.....WFR62FVH	...4FG1	.....1987/10~1995/08	.....8-94438300 (8-94101243)		
	Diesel	.....WFS62DV	.....4FG1	.....1987/10~1995/08	.....8-94438300 (8-94101243)		
	Diesel	.....WFS62DW	.....4FG1,4FG1T	...1990/12~1995/08	.....8-94438300 (8-94101243)		
	Diesel	.....WFS62FBH	...4FG1	.....1988/11~1995/08	.....8-94438300 (8-94101243)		
	Diesel	.....WFS62FV	.....4FG1	.....1987/10~1995/08	.....8-94438300 (8-94101243)		
	Diesel	.....WFS62FVH	...4FG1	.....1987/10~1995/08	.....8-94438300 (8-94101243)		
	2700cc	Diesel	.....JCRGE24	.....TD27	.....1995/08~1997/05	.....5-86128655	..... <b>FCR62-32-14/2E</b>
Diesel		.....JCRMGE24	...TD27	.....1996/08~1997/05	.....5-86128655	..... <b>FCR62-32-14/2E</b>	.....C02
Diesel		.....JDRGE24	.....TD27	.....1996/08~1997/05	.....5-86128655	..... <b>FCR62-32-14/2E</b>	.....C02
Diesel		.....JDRMGE24	...TD27	.....1996/08~1997/05	.....5-86128655	..... <b>FCR62-32-14/2E</b>	.....C02
Diesel		.....JKRGE24	.....TD27	.....1995/08~1999/06	.....5-86128655	..... <b>FCR62-32-14/2E</b>	.....C02
Diesel		.....JKRMGE24	.....TD27	.....1995/08~1999/06	.....5-86128655	..... <b>FCR62-32-14/2E</b>	.....C02
Diesel		.....JVRE24	.....TD27	.....1995/08~1997/05	.....5-86128655	..... <b>FCR62-32-14/2E</b>	.....C02
Diesel		.....JVRGE24	.....TD27	.....1995/08~1997/05	.....5-86128655	..... <b>FCR62-32-14/2E</b>	.....C02
Diesel		.....JVRME24	.....TD27	.....1996/08~1997/05	.....5-86128655	..... <b>FCR62-32-14/2E</b>	.....C02
Diesel		.....JVRMGE24	.....TD27	.....1995/08~1997/05	.....5-86128655	..... <b>FCR62-32-14/2E</b>	.....C02
3200cc	Diesel	.....JCWBE24	.....QD32	.....1997/05~1999/06	.....5-86128655	..... <b>FCR62-32-14/2E</b>	.....C02
	Diesel	.....JCWGE24	.....QD32	.....1996/08~2001/04	.....5-86128655	..... <b>FCR62-32-14/2E</b>	.....C02
	Diesel	.....JCWMBE24	...QD32	.....1997/06~1999/06	.....5-86128655	..... <b>FCR62-32-14/2E</b>	.....C02
	Diesel	.....JCWMGE24	...QD32	.....1999/06~2001/04	.....5-86128655	..... <b>FCR62-32-14/2E</b>	.....C02
	Diesel	.....JDWGE24	.....QD32	.....1997/05~2001/04	.....5-86128655	..... <b>FCR62-32-14/2E</b>	.....C02
	Diesel	.....JDWMGE24	...QD32	.....1999/06~2001/04	.....5-86128655	..... <b>FCR62-32-14/2E</b>	.....C02
	Diesel	.....JTWGE24	.....QD32	.....1997/05~1999/06	.....5-86128655	..... <b>FCR62-32-14/2E</b>	.....C02

必ず、現品と添付イラストにて確認をお願いします。Please check the actual item and an attachment illustration.



CLUTCH RELEASE



排気量 Displacement	燃料 Fuel	車両型式 Model	エンジン型式 Engine Type	年式 Model Year	クラッチリリース純正部番 OEM P/N. (互換部番) (Interchangeable OEM P/N.)	NTN品番 NTN P/N.	図番 Illustrations
---------------------	------------	---------------	-----------------------	------------------	--	-------------------	---------------------

FARGO/ファーゴ

3200cc	Diesel	JVWE24	QD32	1996/08~2001/04	5-86128655	FCR62-32-14/2E	C02
	Diesel	JVWGE24	QD32	1996/08~2001/04	5-86128655	FCR62-32-14/2E	C02
	Diesel	JVWME24	QD32	1999/06~2001/04	5-86128655	FCR62-32-14/2E	C02
	Diesel	JVWMGE24	QD32	1996/08~2001/04	5-86128655	FCR62-32-14/2E	C02

GEMINI/ジェミニ

1500cc	Gasoline	JT150	4XC1,4XC1T	1985/05~1990/02	8-94133417 (8-94133418)		
	Gasoline	JT151F	4XC1	1990/02~1993/09	8-94133417 (8-94133418)		
	Diesel	JT600	4EC1,4EC1T	1985/11~1990/02	8-94133417 (8-94133418)		
	Gasoline	MJ3	D15B	1995/02~1998/03	5-86003812 (5-86003811)		
	Gasoline	MJ4	D15B	1997/01~2000/06	5-86003812 (5-86003811)		
1600cc	Gasoline	JT190	4XE1	1988/03~1990/02	8-94133417 (8-94133418)		
	Gasoline	JT191F	4XE1	1990/02~1993/09	8-94133417 (8-94133418)		
	Gasoline	JT191S	4XE1T	1990/02~1993/09	8-94133417 (8-94133418)		
	Gasoline	MJ1	ZC	1993/09~1998/03	5-86003812 (5-86003811)		
	Gasoline	MJ2	ZC	1993/09~1998/03	5-86003813		
	Gasoline	MJ5	D16A	1997/01~2000/06	5-86003812 (5-86003811)		
	Gasoline	MJ6	D16A	1997/01~2000/06	5-86003813		
1700cc	Diesel	JT641F	4EE1T	1990/02~1993/09	8-94133417 (8-94133418)		
	Diesel	JT641S	4EE1T	1991/09~1993/09	8-94133417 (8-94133418)		

MU/ミュー

2600cc	Gasoline	UCS17DH	4ZE1	1989/04~1992/10	8-94379441 (8-94453348)		
	Gasoline	UCS17DW	4ZE1	1989/04~1993/10	8-94379441 (8-94453348)		
2800cc	Diesel	UCS55DW	4JB1	1990/07~1993/10	8-94379441 (8-94453348)		
	Diesel	UCS55DWM	4JB1	1990/07~1993/10	8-94379441 (8-94453348)		
3100cc	Diesel	UCS69DWM	4JG2	1993/10~1998/07	8-94379441 (8-94453348)		

必ず、現品と添付イラストにて確認をお願いします。Please check the actual item and an attachment illustration.





排気量 Displacement	燃料 Fuel	車両型式 Model	エンジン型式 Engine Type	年式 Model Year	クラッチリリース純正部番 OEM P/N. (互換部番) (Interchangeable OEM P/N.)	NTN品番 NTN P/N.	図番 Illustrations
---------------------	------------	---------------	-----------------------	------------------	--	-------------------	---------------------

**PA NERO/PAネロ**

1500cc	Gasoline	……JT151F	……4XC1	……1991/11~1993/09	……8-94133417 (8-94133418)		
1600cc	Gasoline	……JT191F	……4XE1,4XE1T	…1990/04~1993/09	……8-94133417 (8-94133418)		
	Gasoline	……JT191S	……4XE1,4XE1T	…1991/03~1992/10	……8-94133417 (8-94133418)		

**PIAZZA/ピアッツア**

1800cc	Gasoline	……JT221F	……4XF1	……1991/07~1993/09	……8-94133417 (8-94133418)		
2000cc	Gasoline	……JR120	……4ZC1	……1984/06~1991/07	……8-94438300 (8-94101243)		
	Gasoline	……JR130	……G2000	……1984/06~1988/09	……8-94438300 (8-94101243)		

**WIZARD/ウィザード**

3000cc	Diesel	……UES73FW	……4JX1	……1998/05~2002/08	……8-94379499		
--------	--------	-----------	--------	-------------------	--------------	--	--

DAIHATSU

HONDA

ISUZU

MAZDA

MITSUBISHI

NISSAN

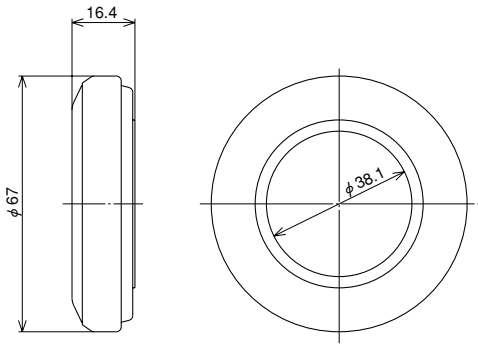
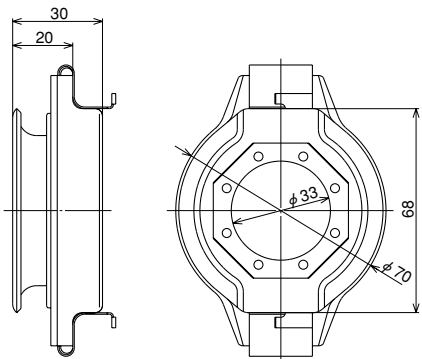
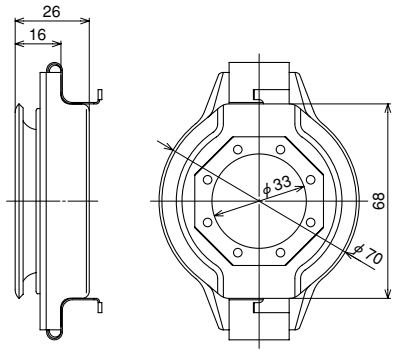
SUBARU

SUZUKI

TOYOTA

クラッチリリース図面

DAIHATSU  
HONDA  
ISUZU  
MAZDA  
MITSUBISHI  
NISSAN  
SUBARU  
SUZUKI  
TOYOTA

<p><b>C01</b> SF0816/2E</p> 	<p><b>C02</b> FCR62-32-14/2E</p> 
<p><b>C03</b> FCR-30-6/2E</p> 	<p><b>C04</b></p>
<p><b>C05</b></p>	<p><b>C06</b></p>
<p><b>C07</b></p>	<p><b>C08</b></p>