

# NISSAN

## INDEX

180SX/180SX	2	LUCINO/ルキノ	18
AD VAN/ADバン	2	MARCH/マーチ	18
ATLAS/アトラス	2	NX-COUPE/NXクーペ	18
AUSTER/オースター	6	PAO/パオ	18
AVENIR/アベニール	6	PRAIRIE/プレーリー	18
BE-1/Be-1	6	PRESEA/プレセア	19
BLUEBIRD/ブルーバード	6	PRIMERA/プリメーラ	19
BLUEBIRD SYLPHY/ブルーバードシルフィ	7	PULSAR/パルサー	19
CARAVAN/キャラバン	7	RASHEEN/ラシーン	20
CEDRIC/セドリック	9	SAFARI/サファリ	20
CEFIRO/セフィーロ	9	SERENA/セレナ	20
CIVILIAN/シビリアン	10	SILVIA/シルビア	20
CLIPPER/クリッパー	10	SKYLINE/スカイライン	21
CONDOR/コンドル	10	STAGEA/ステージア	22
CREW/クルー	13	STANZA/スタンザ	22
DATSUN TRUCK/ダットサントラック	13	SUNNY/サニー	22
EXA/エクサ	14	SUNNY CALIFORNIA/サニーカリフォルニア	23
EXPERT/エキスパート	14	SUNNY TRUCK/サニートラック	23
FAIRLADY Z/フェアレディZ	14	TERRANO/テラノ	23
GLORIA/グロリア	15	VANETTE/バネット	23
HOMY/ホーミー	15	VANETTE SERENA/バネットセレナ	25
LANGLEY/ラングレー	17	WINGROAD/ウィングロード	25
LAUREL/ローレル	17	X-TRAIL/エクストレイル	25
LAUREL SPIRIT/ローレルスピリット	17		
LEOPARD/レパード	17	CLUTCH RELEASE ILLUSTRATION/ クラッチリリース図面	26
LIBERTA VILLA/リベルタビラ	17		

車種はアルファベット順記載



CLUTCH RELEASE



排気量 Displacement	燃料 Fuel	車両型式 Model	エンジン型式 Engine Type	年式 Model Year	クラッチリリース純正部番 OEM P/N. (互換部番) (Interchangeable OEM P/N.)	NTN品番 NTN P/N.	図番 Illustrations
---------------------	------------	---------------	-----------------------	------------------	------------------------------------------------------------------	-------------------	---------------------

180SX/180SX

1800cc	Gasoline	.....KRS13	.....CA18DT	.....1989/03~1991/01	.....30502-21000	.....SF0820/2E	.....C01
	Gasoline	.....KRS13	.....CA18DT	.....1989/09~1990/08	.....30502-45P00		
	Gasoline	.....RS13	.....CA18DT	.....1989/03~1991/01	.....30502-21000	.....SF0820/2E	.....C01
	Gasoline	.....RS13	.....CA18DT	.....1989/09~1990/08	.....30502-45P00		
2000cc	Gasoline	.....KRPS13	.....SR20DET	.....1991/01~1995/02	.....30502-21000	.....SF0820/2E	.....C01
	Gasoline	.....KRPS13	.....SR20DET	.....1995/03~1999/01	.....30502-45P00		
	Gasoline	.....RPS13	.....SR20DET	.....1990/08~1995/02	.....30502-21000	.....SF0820/2E	.....C01
	Gasoline	.....RPS13	.....SR20DE	.....1995/03~1999/01	.....30502-45P00		

AD VAN/ADバン

1300cc	Gasoline	.....MVY10	.....GA13DS	.....1993/07~1999/06	.....30502-53J05	.....FCR48-23-6/2E	.....C02
	Gasoline	.....VB11	.....E13S	.....1982/10~1990/10	.....30502-81N05	.....FCR62-26-6/2E	.....C03
	Gasoline	.....VY10	.....GA13DS,GA13DE	.....1990/10~1999/06	.....30502-53J00 (30502-53J05)	.....FCR48-23-6/2E	.....C02
	Gasoline	.....VY11	.....QG13DE	.....1999/06~2004/08	.....30502-81N05	.....FCR62-26-6/2E	.....C03
	Gasoline	.....WY10	.....GA13DS	.....1990/10~1995/06	.....30502-53J05	.....FCR48-23-6/2E	.....C02
	1500cc	Gasoline	.....MVFY10	.....GA15DS	.....1993/07~1999/06	.....30502-53J05	.....FCR48-23-6/2E
Gasoline		.....VFGY10	.....GA15DS,GA15DE	.....1992/04~1999/06	.....30502-53J05	.....FCR48-23-6/2E	.....C02
Gasoline		.....VFNY10	.....GA15DS,GA15DE	.....1991/10~1999/06	.....30502-81N05	.....FCR62-26-6/2E	.....C03
Gasoline		.....VFY10	.....GA15DS,GA15DE	.....1990/10~1999/06	.....30502-53J05	.....FCR48-23-6/2E	.....C02
Gasoline		.....VFY11	.....QG15DE	.....1999/06~2004/08	.....30502-53J05	.....FCR48-23-6/2E	.....C02
Gasoline		.....VHB11	.....E15S	.....1982/10~1988/04	.....30502-81N05	.....FCR62-26-6/2E	.....C03
Gasoline		.....VHB11	.....E15S	.....1988/05~1990/10	.....30502-53J05	.....FCR48-23-6/2E	.....C02
Gasoline		.....WFGY10	.....GA15DS	.....1992/04~1999/06	.....30502-53J05	.....FCR48-23-6/2E	.....C02
Gasoline		.....WFNY10	.....GA15DS,GA15DE	.....1990/10~1996/05	.....30502-81N05	.....FCR62-26-6/2E	.....C03
Gasoline		.....WVY10	.....GA15DS,GA15DE	.....1990/10~1996/05	.....30502-53J05	.....FCR48-23-6/2E	.....C02
1700cc	Diesel	.....VSB11	.....CD17	.....1985/09~1990/10	.....30502-53J05	.....FCR48-23-6/2E	.....C02
	Diesel	.....VSGY10	.....CD17	.....1992/04~1997/05	.....30502-53J05	.....FCR48-23-6/2E	.....C02
	Diesel	.....VSNY10	.....CD17	.....1990/10~1997/05	.....30502-81N05	.....FCR62-26-6/2E	.....C03
	Diesel	.....VSY10	.....CD17	.....1990/10~1997/05	.....30502-53J00 (30502-53J05)	.....FCR48-23-6/2E	.....C02
	Diesel	.....WSY10	.....CD17	.....1990/10~1993/08	.....30502-53J05	.....FCR48-23-6/2E	.....C02
1800cc	Gasoline	.....VHNY11	.....QG18DE	.....1999/06~2004/08	.....30502-53J05	.....FCR48-23-6/2E	.....C02
2000cc	Diesel	.....VEGY10	.....CD20	.....1997/05~1999/06	.....30502-53J05	.....FCR48-23-6/2E	.....C02
	Diesel	.....VENY10	.....CD20	.....1997/05~1999/06	.....30502-0W716 (30502-1W716)	.....FCR62-30-6/2E	.....C04
	Diesel	.....VEY10	.....CD20	.....1997/05~1999/06	.....30502-53J05	.....FCR48-23-6/2E	.....C02
	Diesel	.....WEY10	.....CD20	.....1993/08~1996/05	.....30502-81N05	.....FCR62-26-6/2E	.....C03
2200cc	Diesel	.....VENY11	.....YD22DD	.....1999/06~2003/08	.....30502-1W720	.....FCR62-32-14/2E	.....C05
	Diesel	.....VEY11	.....YD22DD	.....1999/06~2003/08	.....30502-1W724	.....FCR62-29-11/2E	.....C06

ATLAS/アトラス

1600cc	Gasoline	.....BF22	.....Z16	.....1982/02~1990/07	.....30502-21000	.....SF0820/2E	.....C01
	Gasoline	.....BGF22	.....Z16	.....1982/02~1990/07	.....30502-21000	.....SF0820/2E	.....C01
	Gasoline	.....SJ2F23	.....NA16S	.....1992/01~1995/06	.....30502-21000	.....SF0820/2E	.....C01

必ず、現品と添付イラストにて確認をお願いします。Please check the actual item and an attachment illustration.

DAIHATSU  
HONDA  
ISUZU  
MAZDA  
MITSUBISHI  
NISSAN  
SUBARU  
SUZUKI  
TOYOTA



CLUTCH RELEASE

排気量 Displacement	燃料 Fuel	車両型式 Model	エンジン型式 Engine Type	年式 Model Year	クラッチリリース純正部番 OEM P/N. (互換部番) (Interchangeable OEM P/N.)	NTN品番 NTN P/N.	図番 Illustrations
---------------------	------------	---------------	-----------------------	------------------	------------------------------------------------------------------	-------------------	---------------------

ATLAS/アトラス

1600cc	Gasoline	UF22	NA16S	1990/07~1992/01	30502-21000	SF0820/2E	C01
	Gasoline	UGF22	NA16S	1990/07~1992/01	30502-21000	SF0820/2E	C01
2000cc	Gasoline	PF22	Z20	1982/02~1990/07	30502-21000	SF0820/2E	C01
	Gasoline	PGF22	Z20	1982/02~1990/07	30502-21000	SF0820/2E	C01
	Gasoline	PH40	Z20D,Z20S	1981/12~1990/06	30502-21000	SF0820/2E	C01
	Gasoline	SH2F23	KA20DE	1999/06~2004/08	30502-69F10		
	Gasoline	SH4F23	KA20DE	1999/06~2004/08	30502-69F10		
	Gasoline	SK2F23	NA20S	1992/01~1996/02	30502-21000	SF0820/2E	C01
	Gasoline	SK2F23	NA20S	1996/03~1999/06	30502-45P00		
	Gasoline	SK4F23	NA20S	1992/01~1996/02	30502-21000	SF0820/2E	C01
	Gasoline	SK4F23	NA20S	1996/03~1997/07	30502-45P00		
	Gasoline	SK4F23	NA20S	1997/08~1999/06	30502-1W724	FCR62-29-11/2E	C06
	Gasoline	WF22	NA20S	1990/07~1992/10	30502-21000	SF0820/2E	C01
	Gasoline	WGF22	NA20S	1990/07~1992/10	30502-21000	SF0820/2E	C01
	Gasoline	WH40	NA20S	1990/06~1991/10	30502-21000	SF0820/2E	C01
	2300cc	Diesel	SM2F23	TD23	1992/10~1995/06	30502-28E14 (30502-1W724)	FCR62-29-11/2E
Diesel		SM4F23	TD23	1992/10~1995/06	30502-28E14 (30502-1W724)	FCR62-29-11/2E	C06
Diesel		SM6F23	TD23	1992/10~1995/06	30502-28E21 (30502-1W720)	FCR62-32-14/2E	C05
Diesel		TF22	TD23	1986/11~1992/01	30502-28E14 (30502-1W724)	FCR62-29-11/2E	C06
Diesel		TGF22	TD23	1986/11~1992/01	30502-28E14 (30502-1W724)	FCR62-29-11/2E	C06
2500cc	Diesel	SN2F23	TD25	1995/06~1997/01	30502-28E14 (30502-1W724)	FCR62-29-11/2E	C06
	Diesel	SN2F23	TD25	1997/02~1999/06	30502-1W724	FCR62-29-11/2E	C06
	Diesel	SN4F23	TD25	1995/06~1997/01	30502-28E14 (30502-1W724)	FCR62-29-11/2E	C06
	Diesel	SN4F23	TD25	1997/02~1999/06	30502-1W724	FCR62-29-11/2E	C06
	Diesel	SN6F23	TD25	1995/06~1996/12	30502-28E21 (30502-1W720)	FCR62-32-14/2E	C05
	Diesel	SN6F23	TD25	1997/01~1999/06	30502-1W720	FCR62-32-14/2E	C05
2700cc	Diesel	AF22	TD27	1986/11~1992/01	30502-21000	SF0820/2E	C01
	Diesel	AGF22	TD27	1986/11~1992/01	30502-21000	SF0820/2E	C01
	Diesel	AH40	TD27	1986/11~1990/06	30502-21000	SF0820/2E	C01
	Diesel	AMF22	TD27	1988/10~1992/01	30502-21000	SF0820/2E	C01
	Diesel	SP2F23	TD27	1992/01~1996/03	30502-21000	SF0820/2E	C01
	Diesel	SP2F23	TD27	1996/04~1997/07	30502-45P00		
	Diesel	SP2F23	TD27	1997/08~2002/08	30502-1W724	FCR62-29-11/2E	C06
	Diesel	SP4F23	TD27	1992/01~1996/03	30502-21000	SF0820/2E	C01
	Diesel	SP4F23	TD27	1996/04~1997/07	30502-45P00		
	Diesel	SP4F23	TD27	1997/08~2002/08	30502-1W724	FCR62-29-11/2E	C06
	Diesel	SP6F23	TD27	1999/06~2002/08	30502-1W720	FCR62-32-14/2E	C05
	Diesel	SP8F23	TD27	1992/01~1996/03	30502-21000	SF0820/2E	C01

必ず、現品と添付イラストにて確認をお願いします。Please check the actual item and an attachment illustration.



CLUTCH RELEASE



排気量 Displacement	燃料 Fuel	車両型式 Model	エンジン型式 Engine Type	年式 Model Year	クラッチリリース純正部番 OEM P/N. (互換部番) (Interchangeable OEM P/N.)	NTN品番 NTN P/N.	図番 Illustrations
---------------------	------------	---------------	-----------------------	------------------	------------------------------------------------------------------	-------------------	---------------------

ATLAS/アトラス

2700cc	Diesel	SP8F23	TD27	1996/04~1997/08	30502-45P00		
	Diesel	VAGF22	TD27	1986/11~1992/01	30502-21000	SF0820/2E	C01
3000cc	Diesel	DJH40	BD30	1989/05~1991/10	30502-21000	SF0820/2E	C01
	Diesel	DW2H41	BD30	1991/10~1995/05	30502-21000	SF0820/2E	C01
	Diesel	JGH40	BD30	1989/05~1991/10	30502-21000	SF0820/2E	C01
	Diesel	JH40	BD30	1989/05~1991/10	30502-21000	SF0820/2E	C01
	Diesel	LW2YH41	BD30	1993/10~1995/05	30502-21000	SF0820/2E	C01
	Diesel	LW4YH41	BD30	1991/10~1995/05	30502-21000	SF0820/2E	C01
	Diesel	SW2H41	BD30	1991/10~1995/05	30502-21000	SF0820/2E	C01
3100cc	Diesel	AKR69EA	4J2G	1995/06~1999/04	30502-89TA1		
	Diesel	AKR69LAR	4J2G	1995/06~1999/04	30502-89TA1		
3200cc	Diesel	SR2F23	QD32	1997/08~2004/08	30502-28E14 (30502-1W724)	FCR62-29-11/2E	C06
	Diesel	SR4F23	QD32	1997/08~2004/08	30502-28E14 (30502-1W724)	FCR62-29-11/2E	C06
	Diesel	SR8F23	QD32	1997/08~2004/08	30502-28E14 (30502-1W724)	FCR62-29-11/2E	C06
3300cc	Diesel	DMH40	ED33	1981/12~1989/05	30502-21000	SF0820/2E	C01
	Diesel	MGH40	ED33	1981/12~1989/05	30502-21000	SF0820/2E	C01
	Diesel	MH40	ED33	1981/12~1990/06	30502-21000	SF0820/2E	C01
	Diesel	TMH40	ED33	1981/12~1990/06	30502-21000	SF0820/2E	C01
3500cc	Diesel	CSH40	FD35	1986/11~1991/10	30502-21000	SF0820/2E	C01
	Diesel	DSH40	ED35	1986/11~1991/10	30502-21000	SF0820/2E	C01
	Diesel	LE2YH41	ED35	1993/10~1995/05	30502-45P00		
	Diesel	LE4YH41	ED35	1993/10~1995/05	30502-45P00		
	Diesel	RH40	ED35	1990/06~1991/10	30502-21000	SF0820/2E	C01
	Diesel	SE2H41	FD35	1991/10~1995/05	30502-45P00		
	Diesel	SGH40	FD35,FD35T	1986/11~1991/10	30502-21000	SF0820/2E	C01
	Diesel	SH40	FD35	1986/11~1991/10	30502-21000	SF0820/2E	C01
	Diesel	SQH40	FD35,FD35T	1989/05~1991/10	30502-21000	SF0820/2E	C01
	Diesel	TE2H41	ED35	1991/10~1995/05	30502-45P00		
	Diesel	TRH40	ED35	1990/06~1991/10	30502-21000	SF0820/2E	C01
	Diesel	VSH40	FD35	1989/05~1991/10	30502-21000	SF0820/2E	C01
	4200cc	Diesel	DG2H41	FD42	1991/10~1995/05	30502-21000	SF0820/2E
Diesel		DG7YH41	FD42	1992/11~1995/05	30502-Z5000	55TRK30A/2E	C07
Diesel		LG2YH41	FD42	1991/10~1995/05	30502-Z5000	55TRK30A/2E	C07
Diesel		LG4YH41	FD42	1991/10~1995/05	30502-Z5000	55TRK30A/2E	C07
Diesel		LG7YH41	FD42	1992/11~1995/05	30502-Z5000	55TRK30A/2E	C07
Diesel		LG8YH41	FD42	1992/11~1995/05	30502-Z5000	55TRK30A/2E	C07
Diesel		RG2YH41	FD42	1991/10~1995/05	30502-21000	SF0820/2E	C01
Diesel		SG2H41	FD42	1991/10~1995/05	30502-21000	SF0820/2E	C01
Diesel		UG4YH41	FD42	1992/01~1995/05	30502-21000	SF0820/2E	C01
Diesel		VG2YH41	FD42	1991/10~1995/05	30502-21000	SF0820/2E	C01
Diesel		VG3YH41	FD42	1993/10~1995/05	30502-21000	SF0820/2E	C01
Diesel		VG4YH41	FD42	1992/10~1995/05	30502-21000	SF0820/2E	C01

必ず、現品と添付イラストにて確認を願います。Please check the actual item and an attachment illustration.



CLUTCH RELEASE



排気量 Displacement	燃料 Fuel	車両型式 Model	エンジン型式 Engine Type	年式 Model Year	クラッチリリース純正部番 OEM P/N. (互換部番) (Interchangeable OEM P/N.)	NTN品番 NTN P/N.	図番 Illustrations
---------------------	------------	---------------	-----------------------	------------------	------------------------------------------------------------------	-------------------	---------------------

ATLAS/アトラス

4200cc	Diesel	.....ZG3YH41	.....FD42	.....1993/10~1995/05	.....30502-21000	..... <b>SF0820/2E</b>	.....C01
	Diesel	.....ZG4YH41	.....FD42	.....1991/10~1995/05	.....30502-21000	..... <b>SF0820/2E</b>	.....C01
4300cc	Diesel	.....AKR66E	.....4HF1	.....1995/06~1999/04	.....30502-89TA2	.....	.....
	Diesel	.....AKR66E2N	.....4HF1	.....1995/06~1999/04	.....30502-89TA2	.....	.....
	Diesel	.....AKR66E3N	.....4HF1	.....1995/06~1999/04	.....30502-89TA2	.....	.....
	Diesel	.....AKR66EA	.....4HF1	.....1995/06~1999/04	.....30502-89TA2	.....	.....
	Diesel	.....AKR66ED	.....4HF1	.....1995/06~1999/04	.....30502-89TA2	.....	.....
	Diesel	.....AKR66EP	.....4HF1	.....1995/06~1999/04	.....30502-89TA2	.....	.....
	Diesel	.....AKR66ER	.....4HF1	.....1995/06~1999/04	.....30502-89TA2	.....	.....
	Diesel	.....AKR66GN	.....4HF1	.....1995/06~1999/04	.....30502-89TA2	.....	.....
	Diesel	.....AKR66LAR	.....4HF1	.....1995/06~1999/04	.....30502-89TA2	.....	.....
	Diesel	.....AKR66LR	.....4HF1	.....1995/06~1999/04	.....30502-89TA2	.....	.....
	Diesel	.....AKS66GA	.....4HF1	.....1995/06~1999/04	.....30502-89TA2	.....	.....
	Diesel	.....AKS66GAV	.....4HF1	.....1995/06~1999/04	.....30502-89TA2	.....	.....
	Diesel	.....APR66GR	.....4HF1	.....1995/06~1999/04	.....30502-89TA2	.....	.....
	Diesel	.....APR66LR	.....4HF1	.....1995/06~1999/04	.....30502-89TA2	.....	.....
	Diesel	.....APR66LV	.....4HF1	.....1995/06~1999/04	.....30502-89TA2	.....	.....
	Diesel	.....APR66PR	.....4HF1	.....1995/06~1999/04	.....30502-89TA2	.....	.....
4600cc	Diesel	.....AHS71GDR	.....4HG1	.....1995/06~1999/04	.....30502-89TA2	.....	.....
	Diesel	.....AKR71EA	.....4HG1	.....1995/06~1999/04	.....30502-89TA2	.....	.....
	Diesel	.....AKR71ED	.....4HG1	.....1995/06~1999/04	.....30502-89TA2	.....	.....
	Diesel	.....AKR71ER	.....4HG1	.....1995/06~1999/04	.....30502-89TA2	.....	.....
	Diesel	.....AKR71GN	.....4HG1	.....1995/06~1999/04	.....30502-89TA2	.....	.....
	Diesel	.....AKR71LAR	.....4HG1	.....1995/06~1999/04	.....30502-89TA2	.....	.....
	Diesel	.....AKR71LR	.....4HG1	.....1995/06~1999/04	.....30502-89TA2	.....	.....
	Diesel	.....AKS71GR	.....4HG1	.....1995/06~1999/04	.....30502-89TA2	.....	.....
	Diesel	.....APR71GDR	.....4HG1	.....1995/06~1999/04	.....30502-89TA2	.....	.....
	Diesel	.....APR71GR	.....4HG1	.....1995/06~1999/04	.....30502-89TA2	.....	.....
	Diesel	.....APR71LR	.....4HG1	.....1995/06~1999/04	.....30502-89TA2	.....	.....
	Diesel	.....APR71LV	.....4HG1	.....1995/06~1999/04	.....30502-89TA2	.....	.....
	Diesel	.....APR71PR	.....4HG1	.....1995/06~1999/04	.....30502-89TA2	.....	.....
	Diesel	.....APS71GN	.....4HG1	.....1995/06~1999/04	.....30502-89TA2	.....	.....
	Diesel	.....APS71LN	.....4HG1	.....1995/06~1999/04	.....30502-89TA2	.....	.....
	Diesel	.....RH4YH41	.....FD46	.....1992/01~1995/05	.....30502-Z5000	..... <b>55TRK30A/2E</b>	.....C07
	Diesel	.....UH3YH41	.....FD46	.....1993/10~1995/05	.....30502-Z5000	..... <b>55TRK30A/2E</b>	.....C07
	Diesel	.....UH4YH41	.....FD46	.....1992/01~1995/05	.....30502-Z5000	..... <b>55TRK30A/2E</b>	.....C07
	Diesel	.....UH5YH41	.....FD46	.....1992/01~1995/05	.....30502-Z5000	..... <b>55TRK30A/2E</b>	.....C07
	Diesel	.....VH4YH41	.....FD46	.....1992/01~1995/05	.....30502-Z5000	..... <b>55TRK30A/2E</b>	.....C07
4800cc	Diesel	.....APR70GDR	.....4HE1T	.....1995/06~1999/04	.....30502-89TA0	.....	.....
	Diesel	.....APR70LR	.....4HE1T	.....1995/06~1999/04	.....30502-89TA0	.....	.....
	Diesel	.....APR70LV	.....4HE1T	.....1995/06~1999/04	.....30502-89TA0	.....	.....
	Diesel	.....APR70LYR	.....4HE1T	.....1995/06~1999/04	.....30502-89TA0	.....	.....
	Diesel	.....APR70PR	.....4HE1T	.....1995/06~1999/04	.....30502-89TA0	.....	.....
	Diesel	.....APR70PYR	.....4HE1T	.....1995/06~1999/04	.....30502-89TA0	.....	.....

必ず、現品と添付イラストにて確認をお願いします。Please check the actual item and an attachment illustration.



**CLUTCH RELEASE**



排気量 Displacement	燃料 Fuel	車両型式 Model	エンジン型式 Engine Type	年式 Model Year	クラッチリリース純正部番 OEM P/N. (互換部番) (Interchangeable OEM P/N.)	NTN品番 NTN P/N.	図番 Illustrations
---------------------	------------	---------------	-----------------------	------------------	------------------------------------------------------------------	-------------------	---------------------

**AUSTER/オースター**

1600cc	Gasoline	.....T12	.....CA16S	.....1985/10~1989/12	.....30502-81N05	..... <b>FCR62-26-6/2E</b>	.....C03
1800cc	Gasoline	.....PT12	.....CA18I	.....1985/10~1989/12	.....30502-53J05	..... <b>FCR48-23-6/2E</b>	.....C02
	Gasoline	.....PT12-TURBO	.....CA18DET	.....1985/10~1989/12	.....30502-28E19 (30502-1W718)	..... <b>FCR62-28-7/2E</b>	.....C08

**AVENIR/アベニール**

1600cc	Gasoline	.....VENW10	.....GA16DS	.....1990/10~1999/06	.....30502-53J05	..... <b>FCR48-23-6/2E</b>	.....C02
	Gasoline	.....VEW10	.....GA16DS	.....1990/05~1999/06	.....30502-53J05	..... <b>FCR48-23-6/2E</b>	.....C02
1800cc	Gasoline	.....W10	.....SR18DI,SR18DE	.....1990/05~1998/08	.....30502-53J05	..... <b>FCR48-23-6/2E</b>	.....C02
	Gasoline	.....W11	.....QG18DE	.....1998/08~2000/05	.....30502-53J05	..... <b>FCR48-23-6/2E</b>	.....C02
2000cc	Gasoline	.....PW10	.....SR20DE	.....1990/05~1998/08	.....30502-53J05	..... <b>FCR48-23-6/2E</b>	.....C02
	Diesel	.....VSW10	.....CD20	.....1990/05~1999/06	.....30502-53J05	..... <b>FCR48-23-6/2E</b>	.....C02

**BE-1/Be-1**

1000cc	Gasoline	.....BK10	.....MA10S	.....1987/01~1988/05	.....30502-01B00	..... <b>FCR38-1/2E</b>	.....C09
--------	----------	-----------	------------	----------------------	------------------	-------------------------	----------

**BLUEBIRD/ブルーバード**

1600cc	Gasoline	.....U12	.....CA16S	.....1987/09~1991/08	.....30502-81N05	..... <b>FCR62-26-6/2E</b>	.....C03
	Gasoline	.....U13	.....CA16DS	.....1991/09~1995/11	.....30502-53J05	..... <b>FCR48-23-6/2E</b>	.....C02
	Gasoline	.....VRU11	.....CA16S	.....1983/10~1990/05	.....30502-81N05	..... <b>FCR62-26-6/2E</b>	.....C03
1800cc	Gasoline	.....ENU12	.....SR18DI	.....1989/10~1991/08	.....30502-53J05	..... <b>FCR48-23-6/2E</b>	.....C02
	Gasoline	.....ENU13	.....SR18DE	.....1991/09~1995/11	.....30502-D3561 (30502-5E122)	..... <b>FCR48-24-5/2E</b>	.....C10
	Gasoline	.....ENU14	.....SR18DE	.....1996/01~2001/08	.....30502-65J00	.....	.....
	Gasoline	.....EU12	.....SR18DI	.....1989/10~1991/08	.....30502-53J05	..... <b>FCR48-23-6/2E</b>	.....C02
	Gasoline	.....EU13	.....SR18DE	.....1991/09~1995/11	.....30502-D3561 (30502-5E122)	..... <b>FCR48-24-5/2E</b>	.....C10
	Gasoline	.....EU14	.....SR18DE	.....1996/01~1998/09	.....30502-53J05	..... <b>FCR48-23-6/2E</b>	.....C02
	LPG	.....PC910	.....Z18P	.....1985/02~1993/06	.....30502-45P00	.....	.....
	Gasoline	.....QU14	.....QG18DE	.....1998/09~2001/08	.....30502-53J05	..... <b>FCR48-23-6/2E</b>	.....C02
	Gasoline	.....RNU12	.....CA18I	.....1987/09~1991/08	.....30502-D3561 (30502-5E122)	..... <b>FCR48-24-5/2E</b>	.....C10
	Gasoline	.....RNU12-TURBO	.....CA18DET	.....1987/09~1991/08	.....30502-28E19 (30502-1W718)	..... <b>FCR62-28-7/2E</b>	.....C08
	Gasoline	.....RU12	.....CA18I	.....1987/09~1989/10	.....30502-D3561 (30502-5E122)	..... <b>FCR48-24-5/2E</b>	.....C10
	Gasoline	.....RU12	.....CA18DE	.....1987/09~1989/10	.....30502-53J05	..... <b>FCR48-23-6/2E</b>	.....C02
	Gasoline	.....RU12	.....CA18I	.....1987/09~1991/08	.....30502-28E19 (30502-1W718)	..... <b>FCR62-28-7/2E</b>	.....C08
	Gasoline	.....WU11	.....CA18S	.....1983/10~1990/05	.....30502-81N05	..... <b>FCR62-26-6/2E</b>	.....C03
	Gasoline	.....WU11	.....CA18DET	.....1983/10~1990/05	.....30502-28E19 (30502-1W718)	..... <b>FCR62-28-7/2E</b>	.....C08
2000cc	Diesel	.....EJ910	.....LD20	.....1980/03~1993/06	.....30502-45P00	.....	.....
	Gasoline	.....HNU12	.....SR20DE	.....1989/10~1991/08	.....30502-28E14 (30502-1W724)	..... <b>FCR62-29-11/2E</b>	.....C06
	Gasoline	.....HNU12-TURBO	.....SR20DET	.....1989/10~1991/08	.....30502-28E21 (30502-1W720)	..... <b>FCR62-32-14/2E</b>	.....C05

必ず、現品と添付イラストにて確認を願います。Please check the actual item and an attachment illustration.

DAIHATSU  
 HONDA  
 ISUZU  
 MAZDA  
 MITSUBISHI  
 NISSAN  
 SUBARU  
 SUZUKI  
 TOYOTA

			<b>CLUTCH RELEASE</b>					
排気量 Displacement	燃料 Fuel	車両型式 Model	エンジン型式 Engine Type	年式 Model Year	クラッチリリース純正部番 OEM P/N. (互換部番) (Interchangeable OEM P/N.)		NTN品番 NTN P/N.	図番 Illustrations

**BLUEBIRD/ブルーバード**

2000cc	Gasoline	·····HNU13	·····SR20DE,SR20DET	1991/09~1995/11	·····30502-28E21 (30502-1W720)	····· <b>FCR62-32-14/2E</b>	·····C05
	Gasoline	·····HNU14	·····SR20DE	·····1996/01~2001/08	·····30502-65J00		
	Gasoline	·····HU12	·····SR20DE	·····1989/10~1991/08	·····30502-D3561 (30502-5E122)	····· <b>FCR48-24-5/2E</b>	·····C10
	Gasoline	·····HU13	·····SR20DE	·····1991/09~1995/11	·····30502-D3561 (30502-5E122)	····· <b>FCR48-24-5/2E</b>	·····C10
	Gasoline	·····HU14	·····SR20DE	·····1996/01~2001/08	·····30502-53J05	····· <b>FCR48-23-6/2E</b>	·····C02
	Gasoline	·····PU11	·····VG20E,VE20ET	·····1984/10~1988/10	·····30502-28E14 (30502-1W724)	····· <b>FCR62-29-11/2E</b>	·····C06
	Diesel	·····SNU13	·····CD20	·····1991/09~1995/11	·····30502-28E17 (30502-1W716)	····· <b>FCR62-30-6/2E</b>	·····C04
	Diesel	·····SU12	·····LD20	·····1987/09~1991/08	·····30502-28E17 (30502-1W716)	····· <b>FCR62-30-6/2E</b>	·····C04
	Diesel	·····SU12	·····LD20	·····1987/09~1991/08	·····30502-28E19 (30502-1W718)	····· <b>FCR62-28-7/2E</b>	·····C08
	Diesel	·····SU13	·····CD10	·····1991/09~1995/11	·····30502-81N05	····· <b>FCR62-26-6/2E</b>	·····C03
	Diesel	·····SU14	·····CD20,CD20E	·····1996/01~2001/08	·····30502-81N05	····· <b>FCR62-26-6/2E</b>	·····C03
	Gasoline	·····TEU13	·····SR18DE	·····1991/09~1993/08	·····30502-28E21 (30502-1W720)	····· <b>FCR62-32-14/2E</b>	·····C05
	Diesel	·····TSU13	·····CD20	·····1991/09~1993/08	·····30502-28E17 (30502-1W716)	····· <b>FCR62-30-6/2E</b>	·····C04
	Diesel	·····VEU11	·····LD20	·····1983/10~1990/05	·····30502-28E19 (30502-1W718)	····· <b>FCR62-28-7/2E</b>	·····C08

**BLUEBIRD SYLPHY/ブルーバードシルフィ**

1500cc	Gasoline	·····FG10	·····QG15DE	·····2000/08~2004/08	·····30502-81N05	····· <b>FCR62-26-6/2E</b>	·····C03
	Gasoline	·····FG10教習車	·····QG15DE	·····2003/02~2004/08	·····30502-53J05	····· <b>FCR48-23-6/2E</b>	·····C02

**CARAVAN/キャラバン**

2000cc	Gasoline	·····CHGE24	·····Z20	·····1986/09~1990/08	·····30502-21000	····· <b>SF0820/2E</b>	·····C01
	Gasoline	·····CPGE24	·····KA20DE	·····1999/06~2001/04	·····30502-69F10		
	Gasoline	·····CTGE24	·····NA20S	·····1990/08~1996/02	·····30502-21000	····· <b>SF0820/2E</b>	·····C01
	Gasoline	·····CTGE24	·····NA20S	·····1996/03~1999/06	·····30502-45P00		
	Gasoline	·····DHGE24	·····Z20	·····1986/09~1990/08	·····30502-21000	····· <b>SF0820/2E</b>	·····C01
	Gasoline	·····DTGE24	·····NA20S	·····1990/08~1993/05	·····30502-21000	····· <b>SF0820/2E</b>	·····C01
	Gasoline	·····FHGE24	·····Z20	·····1986/09~1990/08	·····30502-21000	····· <b>SF0820/2E</b>	·····C01
	Gasoline	·····FTGE24	·····NA20S	·····1990/08~1993/05	·····30502-21000	····· <b>SF0820/2E</b>	·····C01
	Gasoline	·····KHE24	·····Z20,Z20S	·····1986/09~1995/08	·····30502-21000	····· <b>SF0820/2E</b>	·····C01
	Gasoline	·····KHGE24	·····Z20,Z20S	·····1986/09~1995/08	·····30502-21000	····· <b>SF0820/2E</b>	·····C01
	Gasoline	·····KHGE24	·····Z20S	·····1993/05~1995/08	·····30502-28E21 (30502-1W720)	····· <b>FCR62-32-14/2E</b>	·····C05
	Diesel	·····KSE24	·····LD20T	·····1986/09~1990/10	·····30502-21000	····· <b>SF0820/2E</b>	·····C01
	Diesel	·····KSGE24	·····LD20T	·····1986/09~1990/10	·····30502-21000	····· <b>SF0820/2E</b>	·····C01
	Gasoline	·····VHE24	·····Z20	·····1986/09~1990/08	·····30502-21000	····· <b>SF0820/2E</b>	·····C01
	Gasoline	·····VHGE24	·····Z20	·····1986/09~1990/08	·····30502-21000	····· <b>SF0820/2E</b>	·····C01
	Gasoline	·····VPE24	·····KA20DE	·····1999/06~2001/04	·····30502-69F10		
	Gasoline	·····VPE25	·····KA20DE	·····2001/04~2004/08	·····30502-69F10		

必ず、現品と添付イラストにて確認をお願いします。Please check the actual item and an attachment illustration.



CLUTCH RELEASE



排気量 Displacement	燃料 Fuel	車両型式 Model	エンジン型式 Engine Type	年式 Model Year	クラッチリリース純正部番 OEM P/N. (互換部番) (Interchangeable OEM P/N.)	NTN品番 NTN P/N.	図番 Illustrations
---------------------	------------	---------------	-----------------------	------------------	------------------------------------------------------------------	-------------------	---------------------

CARAVAN/キャラバン

2000cc	Gasoline	VPGE24	KA20DE	1999/06~2001/04	30502-69F10		
	Gasoline	VTE24	NA20S	1990/08~1996/02	30502-21000	SF0820/2E	C01
	Gasoline	VTE24	NA20S	1996/03~1999/06	30502-45P00		
	Gasoline	VTGE24	NA20S	1990/08~1996/02	30502-21000	SF0820/2E	C01
	Gasoline	VTGE24	NA20S	1996/03~1999/06	30502-45P00		
2300cc	Diesel	CYGE24	TD23	1986/09~1988/09	30502-28E21 (30502-1W720)	FCR62-32-14/2E	C05
	Diesel	DYGE24	TD23	1986/09~1988/09	30502-28E21 (30502-1W720)	FCR62-32-14/2E	C05
	Diesel	VYE24	TD23	1986/09~1990/08	30502-28E21 (30502-1W720)	FCR62-32-14/2E	C05
	Diesel	VYGE24	TD23	1986/09~1988/09	30502-28E21 (30502-1W720)	FCR62-32-14/2E	C05
2700cc	Diesel	ARGE24	TD27,TD27TI	1987/10~1995/08	30502-28E21 (30502-1W720)	FCR62-32-14/2E	C05
	Diesel	ARGE24	TD27,TD27TI	1997/05~1999/06	30502-1W720	FCR62-32-14/2E	C05
	Diesel	CRGE24	TD27	1987/10~1996/12	30502-28E21 (30502-1W720)	FCR62-32-14/2E	C05
	Diesel	CRGE24	TD27	1997/01~1997/05	30502-1W720	FCR62-32-14/2E	C05
	Diesel	DRGE24	TD27	1987/10~1996/12	30502-28E21 (30502-1W720)	FCR62-32-14/2E	C05
	Diesel	DRGE24	TD27	1997/01~1997/05	30502-1W720	FCR62-32-14/2E	C05
	Diesel	KRE24	TD27,TD27TI	1988/10~1996/12	30502-28E21 (30502-1W720)	FCR62-32-14/2E	C05
	Diesel	KRE24	TD27,TD27TI	1997/01~1999/06	30502-1W720	FCR62-32-14/2E	C05
	Diesel	KRGE24	TD27	1990/10~1996/12	30502-28E21 (30502-1W720)	FCR62-32-14/2E	C05
	Diesel	KRGE24	TD27	1997/01~1999/06	30502-1W720	FCR62-32-14/2E	C05
	Diesel	KRME24	TD27	1987/10~1996/12	30502-28E21 (30502-1W720)	FCR62-32-14/2E	C05
	Diesel	KRME24	TD27	1997/01~1999/06	30502-1W720	FCR62-32-14/2E	C05
	Diesel	KRMGE24	TD27	1988/10~1996/12	30502-28E21 (30502-1W720)	FCR62-32-14/2E	C05
	Diesel	KRMGE24	TD27	1997/01~1999/06	30502-1W720	FCR62-32-14/2E	C05
	Diesel	VRE24	TD27	1990/08~1996/12	30502-28E21 (30502-1W720)	FCR62-32-14/2E	C05
	Diesel	VRE24	TD27	1997/01~1997/05	30502-1W720	FCR62-32-14/2E	C05
	Diesel	VRGE24	TD27	1988/10~1996/12	30502-28E21 (30502-1W720)	FCR62-32-14/2E	C05
	Diesel	VRGE24	TD27	1997/01~1997/05	30502-1W720	FCR62-32-14/2E	C05
	Diesel	VRMGE24	TD27	1987/10~1996/12	30502-28E21 (30502-1W720)	FCR62-32-14/2E	C05
	Diesel	VRMGE24	TD27	1997/01~1997/05	30502-1W720	FCR62-32-14/2E	C05
3000cc	Diesel	CWGE25	ZD30DD	2001/04~2004/08	30502-1W720	FCR62-32-14/2E	C05
	Diesel	CWGE25	ZD30DDTi	2003/05~2004/08	30502-1W716	FCR62-30-6/2E	C04
	Diesel	CWMGE25	ZD30DD	2001/04~2004/08	30502-1W720	FCR62-32-14/2E	C05
	Diesel	DWGE25	ZD30DD	2001/04~2004/08	30502-1W720	FCR62-32-14/2E	C05
	Diesel	DWGE25	ZD30DDTi	2003/05~2004/08	30502-1W716	FCR62-30-6/2E	C04
Diesel	DWMGE25	ZD30DD	2001/04~2004/08	30502-1W720	FCR62-32-14/2E	C05	

必ず、現品と添付イラストにて確認を願います。Please check the actual item and an attachment illustration.

DAIHATSU  
HONDA  
ISUZU  
MAZDA  
MITSUBISHI  
NISSAN  
SUBARU  
SUZUKI  
TOYOTA



			<b>CLUTCH RELEASE</b>					
排気量 Displacement	燃料 Fuel	車両型式 Model	エンジン型式 Engine Type	年式 Model Year	クラッチリリース純正部番 OEM P/N. (互換部番) (Interchangeable OEM P/N.)		NTN品番 NTN P/N.	図番 Illustrations

**CARAVAN/キャラバン**

3000cc	Diesel	VWE25	ZD30DD	2001/04~2004/08	30502-1W720	<b>FCR62-32-14/2E</b>	C05
	Diesel	VWE25	ZD30DDTi	2003/05~2004/08	30502-1W716	<b>FCR62-30-6/2E</b>	C038
	Diesel	VWME25	ZD30DD	2001/04~2004/08	30502-1W720	<b>FCR62-32-14/2E</b>	C05
3200cc	Diesel	CWGE24	QD32	1996/08~2001/04	30502-1W720	<b>FCR62-32-14/2E</b>	C05
	Diesel	CWMGE24	QD32	1996/08~2001/04	30502-1W720	<b>FCR62-32-14/2E</b>	C05
	Diesel	DWGE24	QD32	1997/05~2001/04	30502-1W720	<b>FCR62-32-14/2E</b>	C05
	Diesel	VWE24	QD32	1996/08~2001/04	30502-1W720	<b>FCR62-32-14/2E</b>	C05
	Diesel	VWGE24	QD32	1999/06~2001/04	30502-1W720	<b>FCR62-32-14/2E</b>	C05
	Diesel	VWME24	QD32	1999/06~2001/04	30502-1W720	<b>FCR62-32-14/2E</b>	C05
	Diesel	VWMGE24	QD32	1996/08~2001/04	30502-1W720	<b>FCR62-32-14/2E</b>	C05

**CEDRIC/セドリック**

2000cc	LPG	CMJY31	RB20P	1989/06~1993/06	30502-45P00		
	LPG	MJY31	RB20P	1987/06~1999/07	30502-45P00		
	LPG	MJY31	RB20P	1999/08~2002/08	30502-69F10		
	LPG	NJY31	CA20P	1987/06~1991/06	30502-45P00		
	LPG	QJY31	NA20P	1991/06~1999/07	30502-45P00		
	LPG	QJY31	NA20P	1999/08~2004/08	30502-69F10		
	LPG	TNJY31	CA20P	1987/12~1991/06	30502-45P00		
	Gasoline	TY31	VG20E	1987/12~1991/06	30502-21000	<b>SF0820/2E</b>	C01
	Gasoline	VNY30	CA20S	1983/06~1995/11	30502-21000	<b>SF0820/2E</b>	C01
	Gasoline	VNY30	CA20S	1985/06~1995/11	30502-45P00		
	Gasoline	VY30	VG20E	1987/12~1996/02	30502-21000	<b>SF0820/2E</b>	C01
	Gasoline	VY30	VG20E	1996/03~1999/06	30502-45P00		
	Gasoline	WY30	VG20E	1983/09~1996/02	30502-21000	<b>SF0820/2E</b>	C01
	Gasoline	WY30	VG20E	1996/03~1999/06	30502-45P00		
	Gasoline	Y31	VG20E, VG20DET	1987/06~1996/02	30502-21000	<b>SF0820/2E</b>	C01
	Gasoline	Y31	VG20E, VG20DET	1996/03~2002/08	30502-45P00		
	Gasoline	YY31	VG20E	1991/06~1995/08	30502-21000	<b>SF0820/2E</b>	C01
2800cc	Diesel	TUJY31	RD28	1987/12~1991/06	30502-21000	<b>SF0820/2E</b>	C01
	Diesel	UJY31	RD28, RD28E	1987/06~1999/07	30502-21000	<b>SF0820/2E</b>	C01
	Diesel	UJY31	RD28, RD28E	1999/08~2002/08	30502-69F10		
	Diesel	UY31	RD28, RD28E	1987/06~1993/06	30502-21000	<b>SF0820/2E</b>	C01
	Diesel	VUY30	RD28	1985/06~1993/08	30502-21000	<b>SF0820/2E</b>	C01
	Diesel	WUY30	RD28	1985/06~1993/08	30502-21000	<b>SF0820/2E</b>	C01
3000cc	Gasoline	YPY31	VG30E	1987/06~1996/02	30502-21000	<b>SF0820/2E</b>	C01
	Gasoline	YPY31	VG30E	1996/03~2002/08	30502-45P00		

**CEFIRO/セフィーロ**

2000cc	Gasoline	A31	RB20E, RB20DE, RB20DET	1988/09~1992/06	30502-21000	<b>SF0820/2E</b>	C01
	Gasoline	A32	VQ20DE	1994/08~1996/12	30502-31U00 (30502-41U24)	<b>FCR62-29-12/2E</b>	C11
	Gasoline	A32	VQ20DE	1997/01~1998/12	30502-41U24	<b>FCR62-29-12/2E</b>	C11
	Gasoline	A33	VQ20DE	1998/12~2002/08	30502-41U24	<b>FCR62-29-12/2E</b>	C11
	Gasoline	CA31	RB20E, RB20DE, RB20DET	1988/09~1992/06	30502-21000	<b>SF0820/2E</b>	C01

必ず、現品と添付イラストにて確認をお願いします。Please check the actual item and an attachment illustration.



CLUTCH RELEASE



DAIHATSU  
HONDA  
ISUZU  
MAZDA  
MITSUBISHI  
NISSAN  
SUBARU  
SUZUKI  
TOYOTA

**CEFIRO/セフィーロ**

2000cc	Gasoline	LA31	RB20E, RB20DE, RB20DET	1992/06~1997/08	30502-21000	SF0820/2E	C01
	Gasoline	LCA31	RB20DET	1992/06~1994/08	30502-21000	SF0820/2E	C01

**CIVILIAN/シビリアン**

2200cc	Gasoline	UW40	Z22S	1982/08~1988/05	30502-21000	SF0820/2E	C01
	Gasoline	VUSW40	Z22S	1984/06~1988/05	30502-21000	SF0820/2E	C01
3300cc	Diesel	FGW40	FD33T	1984/06~1988/05	30502-21000	SF0820/2E	C01
	Diesel	FW40	FD33T	1984/06~1988/05	30502-21000	SF0820/2E	C01
	Diesel	MGW40	ED33	1982/08~1988/04	30502-21000	SF0820/2E	C01
	Diesel	MGW40	ED33	1988/05~1990/06	30502-45P00		
	Diesel	MW40	ED33	1982/08~1988/04	30502-21000	SF0820/2E	C01
	Diesel	MW40	ED33	1988/05~1990/06	30502-45P00		
3500cc	Diesel	BGW40	ED35	1990/06~1999/02	30502-45P00		
	Diesel	BW40	ED35	1990/06~1999/02	30502-45P00		
4200cc	Diesel	BCW41	TD42	1999/02~2004/08	30502-69F10		
	Diesel	BHW41	TD42, TD42T	1999/02~2004/08	30502-69F10		
	Diesel	BJW41	TD42, TD42T	1999/02~2004/08	30502-69F10		
	Diesel	BVW41	TD42	1999/02~2004/08	30502-69F10		
	Diesel	RGW40	TD42, TD42T	1988/05~1996/03	30502-21000	SF0820/2E	C01
	Diesel	RGW40	TD42, TD42T	1996/04~1999/02	30502-45P00		
	Diesel	RW40	TD42	1988/05~1996/03	30502-21000	SF0820/2E	C01
	Diesel	RW40	TD42	1996/04~1999/02	30502-45P00		
	Diesel	RYW40	TD42, TD42T	1988/05~1996/03	30502-21000	SF0820/2E	C01
	Diesel	RYW40	TD42, TD42T	1996/04~1999/02	30502-45P00		
4500cc	Diesel	RAW40	TD45	1993/04~1996/03	30502-21000	SF0820/2E	C01
	Diesel	RAW40	TD45	1996/04~1999/02	30502-45P00		

**CLIPPER/クリッパー**

660cc	Gasoline	U71T	3G83	2003/10~2004/08	30502-6A0A0	FCR44-13-2/2E	C13
	Gasoline	U71TP	3G83	2003/10~2004/08	30502-6A0A0	FCR44-13-2/2E	C13
	Gasoline	U71TY	3G83	2003/10~2004/08	30502-6A0A0	FCR44-13-2/2E	C13
	Gasoline	U71V	3G83	2003/10~2004/08	30502-6A0A0	FCR44-13-2/2E	C13
	Gasoline	U72T	3G83	2003/10~2004/08	30502-6A0A0	FCR44-13-2/2E	C13
	Gasoline	U72TP	3G83	2003/10~2004/08	30502-6A0A0	FCR44-13-2/2E	C13
	Gasoline	U72TY	3G83	2003/10~2004/08	30502-6A0A0	FCR44-13-2/2E	C13
	Gasoline	U72V	3G83	2003/10~2004/08	30502-6A0A0	FCR44-13-2/2E	C13

**CONDOR/コンドル**

2000cc	Gasoline	PH40	Z20D, Z20S	1981/12~1990/06	30502-21000	SF0820/2E	C01
	Gasoline	SH2F23	KA20DE	1999/06~2004/08	30502-69F10		
	Gasoline	SH4F23	KA20DE	1999/06~2004/08	30502-69F10		
	Gasoline	SK2F23	NA20S	1995/06~1996/02	30502-21000	SF0820/2E	C01
	Gasoline	SK2F23	NA20S	1996/03~1999/06	30502-45P00		
	Gasoline	SK4F23	NA20S	1995/06~1996/02	30502-21000	SF0820/2E	C01

必ず、現品と添付イラストにて確認をお願いします。Please check the actual item and an attachment illustration.



## CLUTCH RELEASE



## CONDOR/コンドル

2000cc	Gasoline	.....SK4F23	.....NA20S	.....1996/03~1999/06	.....30502-45P00	.....	.....
	Gasoline	.....WH40	.....NA20S	.....1990/06~1991/10	.....30502-21000	.....SF0820/2E	.....C01
2500cc	Diesel	.....SN2F23	.....TD25	.....1995/06~1997/01	.....30502-28E14 (30502-1W724)	.....FCR62-29-11/2E	.....C06
	Diesel	.....SN2F23	.....TD25	.....1997/02~1999/06	.....30502-1W724	.....FCR62-29-11/2E	.....C06
	Diesel	.....SN4F23	.....TD25	.....1995/06~1997/01	.....30502-28E14 (30502-1W724)	.....FCR62-29-11/2E	.....C06
	Diesel	.....SN4F23	.....TD25	.....1997/02~1999/06	.....30502-1W724	.....FCR62-29-11/2E	.....C06
	Diesel	.....SN6F23	.....TD25	.....1995/06~1996/12	.....30502-28E21 (30502-1W720)	.....FCR62-32-14/2E	.....C05
	Diesel	.....SN6F23	.....TD25	.....1997/01~1999/06	.....30502-1W720	.....FCR62-32-14/2E	.....C05
2700cc	Diesel	.....AH40	.....TD27	.....1986/11~1990/06	.....30502-21000	.....SF0820/2E	.....C01
	Diesel	.....SP2F23	.....TD27	.....1995/06~1996/03	.....30502-21000	.....SF0820/2E	.....C01
	Diesel	.....SP2F23	.....TD27	.....1996/04~1997/07	.....30502-45P00	.....	.....
	Diesel	.....SP2F23	.....TD27	.....1997/08~2002/08	.....30502-1W724	.....FCR62-29-11/2E	.....C06
	Diesel	.....SP4F23	.....TD27	.....1995/06~1996/03	.....30502-21000	.....SF0820/2E	.....C01
	Diesel	.....SP4F23	.....TD27	.....1996/04~1997/07	.....30502-45P00	.....	.....
	Diesel	.....SP4F23	.....TD27	.....1997/08~2002/08	.....30502-1W724	.....FCR62-29-11/2E	.....C06
	Diesel	.....SP6F23	.....TD27	.....1999/06~2002/08	.....30502-1W720	.....FCR62-32-14/2E	.....C05
	Diesel	.....SP8F23	.....TD27	.....1995/06~1996/03	.....30502-21000	.....SF0820/2E	.....C01
	Diesel	.....SP8F23	.....TD27	.....1996/04~1997/08	.....30502-45P00	.....	.....
3000cc	Diesel	.....DJH40	.....BD30	.....1989/05~1991/10	.....30502-21000	.....SF0820/2E	.....C01
	Diesel	.....DW2S41	.....BD30	.....1991/10~1995/05	.....30502-21000	.....SF0820/2E	.....C01
	Diesel	.....JGH40	.....BD30	.....1989/05~1991/10	.....30502-21000	.....SF0820/2E	.....C01
	Diesel	.....JH40	.....BD30	.....1989/05~1991/10	.....30502-21000	.....SF0820/2E	.....C01
	Diesel	.....LW2YS41	.....BD30	.....1993/10~1995/05	.....30502-21000	.....SF0820/2E	.....C01
	Diesel	.....LW4YS41	.....BD30	.....1991/10~1995/05	.....30502-21000	.....SF0820/2E	.....C01
	Diesel	.....SW2S41	.....BD30	.....1991/10~1995/05	.....30502-21000	.....SF0820/2E	.....C01
3100cc	Diesel	.....BKR69EA	.....4J2G	.....1995/06~1999/04	.....30502-89TA1	.....	.....
	Diesel	.....BKR69LAR	.....4J2G	.....1995/06~1999/04	.....30502-89TA1	.....	.....
3200cc	Diesel	.....SR2F23	.....QD32	.....1997/08~2004/08	.....30502-28E14 (30502-1W724)	.....FCR62-29-11/2E	.....C06
	Diesel	.....SR4F23	.....QD32	.....1997/08~2004/08	.....30502-28E14 (30502-1W724)	.....FCR62-29-11/2E	.....C06
	Diesel	.....SR8F23	.....QD32	.....1997/08~2004/08	.....30502-28E14 (30502-1W724)	.....FCR62-29-11/2E	.....C06
3300cc	Diesel	.....DMH40	.....ED33	.....1981/12~1989/05	.....30502-21000	.....SF0820/2E	.....C01
	Diesel	.....MGH40	.....ED33	.....1981/12~1989/05	.....30502-21000	.....SF0820/2E	.....C01
	Diesel	.....MH40	.....ED33	.....1981/12~1990/06	.....30502-21000	.....SF0820/2E	.....C01
	Diesel	.....TMH40	.....ED33	.....1981/12~1990/06	.....30502-21000	.....SF0820/2E	.....C01
3500cc	Diesel	.....CSH40	.....ED35	.....1986/11~1991/10	.....30502-21000	.....SF0820/2E	.....C01
	Diesel	.....DSH40	.....FD35	.....1986/11~1991/10	.....30502-21000	.....SF0820/2E	.....C01
	Diesel	.....LE2YS41	.....ED35	.....1993/10~1995/05	.....30502-45P00	.....	.....
	Diesel	.....LE4YS41	.....ED35	.....1993/10~1995/05	.....30502-45P00	.....	.....
	Diesel	.....RH40	.....ED35	.....1990/06~1991/10	.....30502-21000	.....SF0820/2E	.....C01
	Diesel	.....SE2S41	.....ED35	.....1991/10~1995/05	.....30502-45P00	.....	.....

必ず、現品と添付イラストにて確認をお願いします。Please check the actual item and an attachment illustration.



CLUTCH RELEASE



排気量 Displacement	燃料 Fuel	車両型式 Model	エンジン型式 Engine Type	年式 Model Year	クラッチリリース純正部番 OEM P/N. (互換部番) (Interchangeable OEM P/N.)	NTN品番 NTN P/N.	図番 Illustrations
---------------------	------------	---------------	-----------------------	------------------	------------------------------------------------------------------	-------------------	---------------------

CONDOR/コンドル

3500cc	Diesel	.....SGH40.....	FD35,FD35T	1986/04~1991/10	.....30502-21000	.....SF0820/2E	.....C01
	Diesel	.....SH40	FD35	1986/11~1991/10	.....30502-21000	.....SF0820/2E	.....C01
	Diesel	.....SQH40.....	FD35,FD35T	1989/05~1991/10	.....30502-21000	.....SF0820/2E	.....C01
	Diesel	.....TE2S41	ED35	1991/10~1995/05	.....30502-21000	.....SF0820/2E	.....C01
	Diesel	.....TRH40	ED35	1990/06~1991/10	.....30502-21000	.....SF0820/2E	.....C01
	Diesel	.....VSH40	FD35	1989/05~1991/10	.....30502-21000	.....SF0820/2E	.....C01
4200cc	Diesel	.....DG2S41	FD42	1991/10~1995/05	.....30502-21000	.....SF0820/2E	.....C01
	Diesel	.....DG7YS41	FD42	1992/11~1995/05	.....30502-Z5000	.....55TRK30A/2E	.....C07
	Diesel	.....LG2YS41	FD42	1991/10~1995/05	.....30502-Z5000	.....55TRK30A/2E	.....C07
	Diesel	.....LG4YS41	FD42	1991/10~1995/05	.....30502-Z5000	.....55TRK30A/2E	.....C07
	Diesel	.....LG7YS41	FD42	1992/11~1995/05	.....30502-Z5000	.....55TRK30A/2E	.....C07
	Diesel	.....LG8YS41	FD42	1992/11~1995/05	.....30502-Z5000	.....55TRK30A/2E	.....C07
	Diesel	.....SG2S41	FD42	1991/10~1995/05	.....30502-21000	.....SF0820/2E	.....C01
	Diesel	.....UG4YS41	FD42	1992/01~1995/05	.....30502-21000	.....SF0820/2E	.....C01
	Diesel	.....VG2YS41	FD42	1991/10~1995/05	.....30502-21000	.....SF0820/2E	.....C01
	Diesel	.....VG3YS41	FD42	1993/10~1995/05	.....30502-21000	.....SF0820/2E	.....C01
	Diesel	.....VG4YS41	FD42	1992/01~1995/05	.....30502-21000	.....SF0820/2E	.....C01
	Diesel	.....ZG3YS41	FD42	1993/10~1995/05	.....30502-21000	.....SF0820/2E	.....C01
	Diesel	.....ZG4YS41	FD42	1991/10~1995/05	.....30502-21000	.....SF0820/2E	.....C01
	4300cc	Diesel	.....BKR66E2N	4HF1	1995/06~1999/04	.....30502-89TA2	.....
Diesel		.....BKR66E3N	4HF1	1995/06~1999/04	.....30502-89TA2	.....	.....
Diesel		.....BKR66EA	4HF1	1995/06~1999/04	.....30502-89TA2	.....	.....
Diesel		.....BKR66ED	4HF1	1995/06~1999/04	.....30502-89TA2	.....	.....
Diesel		.....BKR66EP	4HF1	1995/06~1999/04	.....30502-89TA2	.....	.....
Diesel		.....BKR66ER	4HF1	1995/06~1999/04	.....30502-89TA2	.....	.....
Diesel		.....BKR66GN	4HF1	1995/06~1999/04	.....30502-89TA2	.....	.....
Diesel		.....BKR66LAR	4HF1	1995/06~1999/04	.....30502-89TA2	.....	.....
Diesel		.....BKR66LR	4HF1	1995/06~1999/04	.....30502-89TA2	.....	.....
Diesel		.....BKS66GA	4HF1	1995/12~1999/04	.....30502-89TA2	.....	.....
Diesel		.....BKS66GAV	4HF1	1995/12~1999/04	.....30502-89TA2	.....	.....
Diesel		.....BPR66GR	4HF1	1995/06~1999/04	.....30502-89TA2	.....	.....
Diesel		.....BPR66LR	4HF1	1995/06~1999/04	.....30502-89TA2	.....	.....
Diesel		.....BPR66LV	4HF1	1995/06~1999/04	.....30502-89TA2	.....	.....
Diesel		.....BPR66PR	4HF1	1995/06~1999/04	.....30502-89TA2	.....	.....
4600cc	Diesel	.....BHS71GDR	4HG1	1995/06~1999/04	.....30502-89TA2	.....	.....
	Diesel	.....BKR71EA	4HG1	1995/06~1999/04	.....30502-89TA2	.....	.....
	Diesel	.....BKR71ED	4HG1	1995/06~1999/04	.....30502-89TA2	.....	.....
	Diesel	.....BKR71ER	4HG1	1995/06~1999/04	.....30502-89TA2	.....	.....
	Diesel	.....BKR71GN	4HG1	1995/06~1999/04	.....30502-89TA2	.....	.....
	Diesel	.....BKR71LAR	4HG1	1995/06~1999/04	.....30502-89TA2	.....	.....
	Diesel	.....BKR71LR	4HG1	1995/06~1999/04	.....30502-89TA2	.....	.....
	Diesel	.....BKS71GR	4HG1	1995/08~1999/04	.....30502-89TA2	.....	.....
	Diesel	.....BPR71GDR	4HG1	1995/06~1999/04	.....30502-89TA2	.....	.....
	Diesel	.....BPR71GR	4HG1	1995/06~1999/04	.....30502-89TA2	.....	.....

必ず、現品と添付イラストにて確認を願います。Please check the actual item and an attachment illustration.

DAIHATSU  
 HONDA  
 ISUZU  
 MAZDA  
 MITSUBISHI  
 NISSAN  
 SUBARU  
 SUZUKI  
 TOYOTA

			<b>CLUTCH RELEASE</b> 				
排気量 Displacement	燃料 Fuel	車両型式 Model	エンジン型式 Engine Type	年式 Model Year	クラッチリリース純正部番 OEM P/N. (互換部番) (Interchangeable OEM P/N.)	NTN品番 NTN P/N.	図番 Illustrations

**CONDOR/コンドル**

4600cc	Diesel	.....BPR71LR	.....4HG1	.....1995/06~1999/04	.....30502-89TA2	.....	.....
	Diesel	.....BPR71LV	.....4HG1	.....1995/06~1999/04	.....30502-89TA2	.....	.....
	Diesel	.....BPR71PR	.....4HG1	.....1995/06~1999/04	.....30502-89TA2	.....	.....
	Diesel	.....BPS71GN	.....4HG1	.....1995/06~1999/04	.....30502-89TA2	.....	.....
	Diesel	.....BPS71LN	.....4HG1	.....1995/06~1999/04	.....30502-89TA2	.....	.....
	Diesel	.....RG2YS41	.....FD46	.....1991/10~1995/05	.....30502-21000	..... <b>SF0820/2E</b>	.....C01
	Diesel	.....RH4YS41	.....FD46	.....1992/01~1995/05	.....30502-Z5000	..... <b>55TRK30A/2E</b>	.....C07
	Diesel	.....UH3YS41	.....FD46	.....1993/10~1995/05	.....30502-Z5000	..... <b>55TRK30A/2E</b>	.....C07
	Diesel	.....UH4YS41	.....FD46	.....1993/10~1995/05	.....30502-Z5000	..... <b>55TRK30A/2E</b>	.....C07
	Diesel	.....UH5YS41	.....FD46	.....1992/01~1995/05	.....30502-Z5000	..... <b>55TRK30A/2E</b>	.....C07
	Diesel	.....VH4YS41	.....FD46	.....1992/01~1995/05	.....30502-Z5000	..... <b>55TRK30A/2E</b>	.....C07
4800cc	Diesel	.....BPR70GDR	.....4HE1T	.....1995/06~1999/04	.....30502-89TA0	.....	.....
	Diesel	.....BPR70LR	.....4HE1T	.....1995/06~1999/04	.....30502-89TA0	.....	.....
	Diesel	.....BPR70LV	.....4HE1T	.....1995/06~1999/04	.....30502-89TA0	.....	.....
	Diesel	.....BPR70LYR	.....4HE1T	.....1995/06~1999/04	.....30502-89TA0	.....	.....
	Diesel	.....BPR70PR	.....4HE1T	.....1995/06~1999/04	.....30502-89TA0	.....	.....
	Diesel	.....BPR70PYR	.....4HE1T	.....1995/06~1999/04	.....30502-89TA0	.....	.....

**CREW/クルー**

2000cc	Gasoline	.....HK30	.....RB20E	.....1994/01~1996/02	.....30502-21000	..... <b>SF0820/2E</b>	.....C01
	Gasoline	.....HK30	.....RB20E	.....1996/03~2002/08	.....30502-45P00	.....	.....
	LPG	.....QK30	.....NA20P	.....1993/07~1999/01	.....30502-45P00	.....	.....
	LPG	.....QK30	.....NA20P	.....1999/02~2004/08	.....30502-69F10	.....	.....
	Gasoline	.....THK30	.....RB20E	.....1994/01~1996/02	.....30502-21000	..... <b>SF0820/2E</b>	.....C01
	Gasoline	.....THK30	.....RB20E	.....1996/03~1999/07	.....30502-45P00	.....	.....
	Gasoline	.....THK30	.....RB20E	.....1999/08~2002/08	.....30502-69F10	.....	.....
2800cc	Diesel	.....SK30	.....RD28	.....1993/07~1999/07	.....30502-21000	..... <b>SF0820/2E</b>	.....C01
	Diesel	.....SK30	.....RD28E	.....1999/08~2002/08	.....30502-69F10	.....	.....
	Diesel	.....TSK30	.....RD28	.....1993/07~1999/07	.....30502-21000	..... <b>SF0820/2E</b>	.....C01
	Diesel	.....TSK30	.....RD28	.....1999/08~2002/08	.....30502-69F10	.....	.....

**DATSUN TRUCK/ダットサントラック**

1600cc	Gasoline	.....CD21	.....Z16S	.....1985/08~1989/09	.....30502-21000	..... <b>SF0820/2E</b>	.....C01
	Gasoline	.....CGD21	.....Z16S	.....1985/08~1989/09	.....30502-21000	..... <b>SF0820/2E</b>	.....C01
	Gasoline	.....D21	.....NA16S	.....1989/09~1995/08	.....30502-21000	..... <b>SF0820/2E</b>	.....C01
	Gasoline	.....GD21	.....NA16S	.....1989/09~1995/08	.....30502-21000	..... <b>SF0820/2E</b>	.....C01
2000cc	Gasoline	.....FD21	.....Z20S	.....1987/08~1989/09	.....30502-21000	..... <b>SF0820/2E</b>	.....C01
	Gasoline	.....FGD21	.....Z20S	.....1987/08~1989/09	.....30502-21000	..... <b>SF0820/2E</b>	.....C01
	Gasoline	.....FMD21	.....Z20S	.....1986/08~1989/09	.....30502-21000	..... <b>SF0820/2E</b>	.....C01
	Gasoline	.....FYD21	.....Z20S	.....1986/08~1989/09	.....30502-21000	..... <b>SF0820/2E</b>	.....C01
	Gasoline	.....LPD22	.....KA20DE	.....1999/06~2002/08	.....30502-69F10	.....	.....
	Gasoline	.....PD22	.....KA20DE	.....1999/06~2002/08	.....30502-69F10	.....	.....
	Gasoline	.....QD21	.....NA20S	.....1989/09~1992/08	.....30502-21000	..... <b>SF0820/2E</b>	.....C01
	Gasoline	.....QD21	.....NA20S	.....1995/08~1995/10	.....30502-21000	..... <b>SF0820/2E</b>	.....C01
	Gasoline	.....QD21	.....NA20S	.....1995/11~1997/01	.....30502-45P00	.....	.....

必ず、現品と添付イラストにて確認をお願いします。Please check the actual item and an attachment illustration.



CLUTCH RELEASE



排気量 Displacement	燃料 Fuel	車両型式 Model	エンジン型式 Engine Type	年式 Model Year	クラッチリリース純正部番 OEM P/N. (互換部番) (Interchangeable OEM P/N.)	NTN品番 NTN P/N.	図番 Illustrations
---------------------	------------	---------------	-----------------------	------------------	------------------------------------------------------------------	-------------------	---------------------

DATSUN TRUCK/ダットサントラック

2000cc	Gasoline	QD22	NA20S	1997/01~1999/06	30502-45P00		
	Gasoline	QGD21	NA20S	1989/09~1992/08	30502-21000	SF0820/2E	C01
	Gasoline	QGD21	NA20S	1995/08~1995/10	30502-21000	SF0820/2E	C01
	Gasoline	QGD21	NA20S	1995/11~1997/01	30502-45P00		
	Gasoline	QMD21	NA20S	1989/09~1995/09	30502-21000	SF0820/2E	C01
	Gasoline	QMD21	NA20S	1995/10~1997/01	30502-45P00		
	Gasoline	QYD21	NA20S	1989/09~1992/08	30502-21000	SF0820/2E	C01
2300cc	Diesel	PD21	TD23	1987/08~1992/08	30502-28E14 (30502-1W724)	FCR62-29-11/2E	C06
	Diesel	PGD21	TD23	1987/08~1992/08	30502-28E14 (30502-1W724)	FCR62-29-11/2E	C06
	Diesel	PMD21	TD23	1987/08~1989/09	30502-28E14 (30502-1W724)	FCR62-29-11/2E	C06
2400cc	Gasoline	LFMD22	KA24E	1997/01~1999/05	30502-45P00		
	Gasoline	LFMD22	KA24DE	1999/06~2002/08	30502-69F10		
2700cc	Diesel	BD21	TD27	1992/08~1997/01	30502-28E21 (30502-1W720)	FCR62-32-14/2E	C05
	Diesel	BD22	TD27	1997/01~2002/08	30502-28E21 (30502-1W720)	FCR62-32-14/2E	C05
	Diesel	BGD21	TD27	1992/08~1997/01	30502-28E21 (30502-1W720)	FCR62-32-14/2E	C05
	Diesel	BMD21	TD27	1988/11~1997/01	30502-28E21 (30502-1W720)	FCR62-32-14/2E	C05
	Diesel	LBD22	TD27	1999/06~2002/08	30502-28E21 (30502-1W720)	FCR62-32-14/2E	C05
	Diesel	LBMD21	TD27T	1995/08~1997/01	30502-28E21 (30502-1W720)	FCR62-32-14/2E	C05
	Diesel	LRMD22	TD27	1997/01~1999/06	30502-28E21 (30502-1W720)	FCR62-32-14/2E	C05
3200cc	Diesel	LRMD22	QD32	1997/01~2002/08	30502-1W718	FCR62-28-7/2E	C08

EXA/エクサ

1600cc	Gasoline	KEN13	CA16DE	1986/10~1990/10	30502-56A60	FCR62-33-4/2E	C12
--------	----------	-------	--------	-----------------	-------------	---------------	-----

EXPERT/エキスパート

2200cc	Diesel	VEW11	YD22DD	1999/06~2004/08	30502-1W720	FCR62-32-14/2E	C05
--------	--------	-------	--------	-----------------	-------------	----------------	-----

FAIRLADY Z/フェアレディZ

2000cc	Gasoline	PGZ31	RB20DET	1985/10~1989/07	30502-21000	SF0820/2E	C01
	Gasoline	PZ31	RB20DET	1985/10~1989/07	30502-21000	SF0820/2E	C01
3000cc	Gasoline	CZ32	VG30DET	1989/07~1999/09	30502-45P00		
	Gasoline	CZ32	VG30DET	1999/10~2000/08	30502-69F10		
	Gasoline	GCZ32	VG30DET	1989/07~1999/09	30502-45P00		
	Gasoline	GCZ32	VG30DET	1999/10~2000/08	30502-69F10		
	Gasoline	GZ32	VG30DE	1989/07~1999/09	30502-45P00		
	Gasoline	GZ32	VG30DE	1999/10~2000/08	30502-69F10		
	Gasoline	HGZ31	VG30DE, VG30DET	1983/09~1989/07	30502-21000	SF0820/2E	C01
	Gasoline	HZ31	VG30DE	1983/09~1989/07	30502-21000	SF0820/2E	C01

必ず、現品と添付イラストにて確認をお願いします。Please check the actual item and an attachment illustration.

DAIHATSU  
HONDA  
ISUZU  
MAZDA  
MITSUBISHI  
NISSAN  
SUBARU  
SUZUKI  
TOYOTA

			<b>CLUTCH RELEASE</b> 				
排気量 Displacement	燃料 Fuel	車両型式 Model	エンジン型式 Engine Type	年式 Model Year	クラッチリリース純正部番 OEM P/N. (互換部番) (Interchangeable OEM P/N.)	NTN品番 NTN P/N.	図番 Illustrations

**FAIRLADY Z/フェアレディZ**

3000cc	Gasoline	·····HZ32	·····VG30DE	·····1992/08~1998/10	·····30502-45P00	·····	·····
	Gasoline	·····Z32	·····VG30DE	·····1989/07~1999/09	·····30502-45P00	·····	·····
	Gasoline	·····Z32	·····VG30DE	·····1999/10~2000/08	·····30502-69F10	·····	·····
3500cc	Gasoline	·····HZ33	·····VG35DE	·····2003/10~2004/08	·····30502-69F10	·····	·····
	Gasoline	·····Z33	·····VG35DE	·····2002/07~2004/08	·····30502-69F10	·····	·····

**GLORIA/グロリア**

2000cc	LPG	·····CMJY31	·····RB20P	·····1989/06~1993/06	·····30502-45P00	·····	·····
	LPG	·····MJY31	·····RB20P	·····1987/06~1999/08	·····30502-45P00	·····	·····
	LPG	·····NJY31	·····CA20P	·····1987/06~1991/06	·····30502-45P00	·····	·····
	LPG	·····QJY31	·····NA20P	·····1991/06~1999/08	·····30502-45P00	·····	·····
	LPG	·····TNJY31	·····CA20P	·····1987/12~1991/06	·····30502-45P00	·····	·····
	Gasoline	·····TY31	·····VG20E	·····1987/12~1991/06	·····30502-21000	·····SF0820/2E	·····C01
	Gasoline	·····VNY30	·····CA20S	·····1983/06~1995/11	·····30502-45P00	·····	·····
	Gasoline	·····VNY30	·····CA20S	·····1983/06~1995/11	·····30502-21000	·····SF0820/2E	·····C01
	Gasoline	·····VY30	·····VG20E	·····1987/12~1996/02	·····30502-21000	·····SF0820/2E	·····C01
	Gasoline	·····VY30	·····VG20E	·····1996/03~1999/06	·····30502-45P00	·····	·····
	Gasoline	·····WY30	·····VG20E	·····1983/06~1996/02	·····30502-21000	·····SF0820/2E	·····C01
	Gasoline	·····WY30	·····VG20E	·····1996/03~1999/06	·····30502-45P00	·····	·····
	Gasoline	·····Y31	·····VG20E, VG20DET	·····1987/06~1996/02	·····30502-21000	·····SF0820/2E	·····C01
	Gasoline	·····Y31	·····VG20E	·····1996/03~1999/08	·····30502-45P00	·····	·····
	Gasoline	·····YY31	·····VG20E	·····1991/06~1995/08	·····30502-21000	·····SF0820/2E	·····C01
2800cc	Diesel	·····HY30	·····LD28	·····1983/06~1999/06	·····30502-21000	·····SF0820/2E	·····C01
	Diesel	·····TUJY31	·····RD28	·····1987/12~1991/06	·····30502-21000	·····SF0820/2E	·····C01
	Diesel	·····UJY31	·····RD28	·····1987/06~1999/08	·····30502-21000	·····SF0820/2E	·····C01
	Diesel	·····UY31	·····RD28	·····1987/06~1993/06	·····30502-21000	·····SF0820/2E	·····C01
	Diesel	·····VUY30	·····RD28	·····1985/06~1993/08	·····30502-21000	·····SF0820/2E	·····C01
	Diesel	·····WUY30	·····RD28	·····1985/06~1993/08	·····30502-21000	·····SF0820/2E	·····C01
3000cc	Gasoline	·····YPY31	·····VG30E	·····1987/06~1996/02	·····30502-21000	·····SF0820/2E	·····C01
	Gasoline	·····YPY31	·····VG30E	·····1996/03~1999/08	·····30502-45P00	·····	·····

**HOMY/ホームミー**

2000cc	Gasoline	·····CHGE24	·····NA20S	·····1986/09~1990/08	·····30502-21000	·····SF0820/2E	·····C01
	Gasoline	·····CTGE24	·····NA20S	·····1990/08~1996/02	·····30502-21000	·····SF0820/2E	·····C01
	Gasoline	·····CTGE24	·····NA20S	·····1996/03~1999/06	·····30502-45P00	·····	·····
	Gasoline	·····DHGE24	·····Z20	·····1986/09~1990/08	·····30502-21000	·····SF0820/2E	·····C01
	Gasoline	·····DTGE24	·····NA20S	·····1990/08~1993/05	·····30502-21000	·····SF0820/2E	·····C01
	Gasoline	·····FHGE24	·····Z20	·····1986/09~1990/08	·····30502-21000	·····SF0820/2E	·····C01
	Gasoline	·····FTGE24	·····NA20S	·····1990/08~1993/05	·····30502-21000	·····SF0820/2E	·····C01
	Gasoline	·····KHE24	·····Z20	·····1986/09~1995/08	·····30502-21000	·····SF0820/2E	·····C01
	Gasoline	·····KHGE24	·····Z20	·····1986/09~1995/08	·····30502-21000	·····SF0820/2E	·····C01
	Gasoline	·····KHGE24	·····Z20S	·····1993/05~1995/05	·····30502-28E21 (30502-1W720)	·····FCR62-32-14/2E	·····C05
	Diesel	·····KSE24	·····LD20T	·····1986/09~1990/10	·····30502-21000	·····SF0820/2E	·····C01
	Diesel	·····KSGE24	·····LD20T	·····1986/09~1990/10	·····30502-21000	·····SF0820/2E	·····C01

必ず、現品と添付イラストにて確認をお願いします。Please check the actual item and an attachment illustration.



CLUTCH RELEASE



排気量 Displacement	燃料 Fuel	車両型式 Model	エンジン型式 Engine Type	年式 Model Year	クラッチリリース純正部番 OEM P/N. (互換部番) (Interchangeable OEM P/N.)	NTN品番 NTN P/N.	図番 Illustrations
---------------------	------------	---------------	-----------------------	------------------	------------------------------------------------------------------	-------------------	---------------------

HOMY/ホーミー

2000	Gasoline	VHE24	Z20	1986/09~1990/08	30502-21000	SF0820/2E	C01
	Gasoline	VHGE24	Z20	1986/09~1990/08	30502-21000	SF0820/2E	C01
	Gasoline	VTE24	NA20S	1990/08~1996/02	30502-21000	SF0820/2E	C01
	Gasoline	VTE24	NA20S	1996/03~1999/06	30502-45P00		
	Gasoline	VTGE24	NA20S	1990/08~1996/02	30502-21000	SF0820/2E	C01
	Gasoline	VTGE24	NA20S	1996/03~1999/06	30502-45P00		
2300cc	Diesel	CYGE24	TD23	1986/09~1988/09	30502-28E21 (30502-1W720)	FCR62-32-14/2E	C05
	Diesel	DYGE24	TD23	1986/09~1988/09	30502-28E21 (30502-1W720)	FCR62-32-14/2E	C05
	Diesel	VYE24	TD23	1986/09~1990/08	30502-28E21 (30502-1W720)	FCR62-32-14/2E	C05
	Diesel	VYGE24	TD23	1986/09~1988/09	30502-28E21 (30502-1W720)	FCR62-32-14/2E	C05
2700cc	Diesel	ARGE24	TD27	1987/10~1995/08	30502-28E21 (30502-1W720)	FCR62-32-14/2E	C05
	Diesel	ARGE24	TD27	1997/05~1999/06	30502-1W720	FCR62-32-14/2E	C05
	Diesel	CRGE24	TD27	1987/10~1996/12	30502-28E21 (30502-1W720)	FCR62-32-14/2E	C05
	Diesel	CRGE24	TD27	1997/01~1997/05	30502-1W720	FCR62-32-14/2E	C05
	Diesel	DRGE24	TD27	1987/10~1996/12	30502-28E21 (30502-1W720)	FCR62-32-14/2E	C05
	Diesel	DRGE24	TD27	1997/01~1997/05	30502-1W720	FCR62-32-14/2E	C05
	Diesel	KRE24	TD27	1988/10~1996/12	30502-28E21 (30502-1W720)	FCR62-32-14/2E	C05
	Diesel	KRE24	TD27	1997/01~1999/06	30502-1W720	FCR62-32-14/2E	C05
	Diesel	KRGE24	TD27	1990/10~1996/12	30502-28E21 (30502-1W720)	FCR62-32-14/2E	C05
	Diesel	KRGE24	TD27	1997/01~1999/06	30502-1W720	FCR62-32-14/2E	C05
	Diesel	KRME24	TD27	1987/10~1996/12	30502-28E21 (30502-1W720)	FCR62-32-14/2E	C05
	Diesel	KRME24	TD27	1997/01~1999/06	30502-1W720	FCR62-32-14/2E	C05
	Diesel	KRMGE24	TD27	1988/10~1996/12	30502-28E21 (30502-1W720)	FCR62-32-14/2E	C05
	Diesel	KRMGE24	TD27	1997/01~1999/06	30502-1W720	FCR62-32-14/2E	C05
	Diesel	VRE24	TD27	1990/08~1996/12	30502-28E21 (30502-1W720)	FCR62-32-14/2E	C05
	Diesel	VRE24	TD27	1997/01~1997/05	30502-1W720	FCR62-32-14/2E	C05
	Diesel	VRGE24	TD27	1987/10~1996/12	30502-28E21 (30502-1W720)	FCR62-32-14/2E	C05
	Diesel	VRGE24	TD27	1997/01~1997/05	30502-1W720	FCR62-32-14/2E	C05
	Diesel	VRMGE24	TD27	1987/10~1996/12	30502-28E21 (30502-1W720)	FCR62-32-14/2E	C05
	Diesel	VRMGE24	TD27	1997/01~1997/05	30502-1W720	FCR62-32-14/2E	C05
3200cc	Diesel	CWGE24	QD32	1996/08~1999/06	30502-1W720	FCR62-32-14/2E	C05
	Diesel	CWMGE24	QD32	1996/08~1999/06	30502-1W720	FCR62-32-14/2E	C05
	Diesel	DWGE24	QD32	1997/05~1999/06	30502-1W720	FCR62-32-14/2E	C05
	Diesel	VWE24	QD32	1996/08~1999/06	30502-1W720	FCR62-32-14/2E	C05

必ず、現品と添付イラストにて確認をお願いします。Please check the actual item and an attachment illustration.

DAIHATSU  
 HONDA  
 ISUZU  
 MAZDA  
 MITSUBISHI  
 NISSAN  
 SUBARU  
 SUZUKI  
 TOYOTA



			<b>CLUTCH RELEASE</b>					
排気量 Displacement	燃料 Fuel	車両型式 Model	エンジン型式 Engine Type	年式 Model Year	クラッチリリース純正部番 OEM P/N. (互換部番) (Interchangeable OEM P/N.)	NTN品番 NTN P/N.	図番 Illustrations	

**HOMY/ホームー**

3200cc	Diesel	.....VWGE24	.....QD32	.....1996/08~1999/06	.....30502-1W720	..... <b>FCR62-32-14/2E</b>	.....C05
	Diesel	.....VWMGE24	.....QD32	.....1986/08~1999/06	.....30502-1W720	..... <b>FCR62-32-14/2E</b>	.....C05

**LANGLEY/ラングレー**

1500cc	Gasoline	.....BFN13	.....GA15S,GA15E	.....1988/09~1990/08	.....30502-53J05	..... <b>FCR48-23-6/2E</b>	.....C02
	Gasoline	.....BFNN13	.....GA15S	.....1988/09~1990/08	.....30502-81N05	..... <b>FCR62-26-6/2E</b>	.....C03
	Gasoline	.....BHN13	.....E15E,E15S	.....1986/10~1988/08	.....30502-53J05	..... <b>FCR48-23-6/2E</b>	.....C02
	Gasoline	.....BHNN13	.....E15E	.....1987/01~1988/08	.....30502-53J05	..... <b>FCR48-23-6/2E</b>	.....C02
1600cc	Gasoline	.....BEN13	.....CA16DE	.....1986/10~1990/08	.....30502-56A60	..... <b>FCR62-33-4/2E</b>	.....C12
1700cc	Diesel	.....BSN13	.....CD17	.....1986/10~1990/08	.....30502-53J05	..... <b>FCR48-23-6/2E</b>	.....C02

**LAUREL/ローレル**

1800cc	Gasoline	.....FC33	.....CA18I	.....1988/12~1990/11	.....30502-45P00	.....	.....
	Gasoline	.....FC33	.....CA18I	.....1990/12~1993/01	.....30502-21000	..... <b>SF0820/2E</b>	.....C01
	Gasoline	.....FJC32	.....CA18S,CA18P	.....1984/10~1990/11	.....30502-45P00	.....	.....
	Gasoline	.....FJC32	.....CA18S,CA18P	.....1990/12~1993/08	.....30502-21000	..... <b>SF0820/2E</b>	.....C01
	Gasoline	.....TFJC32	.....CA18S	.....1984/10~1988/12	.....30502-45P00	.....	.....
2000cc	Gasoline	.....GC32	.....VG20ET	.....1984/10~1988/12	.....30502-21000	..... <b>SF0820/2E</b>	.....C01
	Gasoline	.....HC32	.....RB20E,RB20DET	.....1984/10~1991/10	.....30502-21000	..... <b>SF0820/2E</b>	.....C01
	Gasoline	.....HC33	.....RB20E,RB20DE, RB20DET	.....1988/12~1993/01	.....30502-21000	..... <b>SF0820/2E</b>	.....C01
	Gasoline	.....HCC33	.....RB20E,RB20DET	.....1988/12~1993/01	.....30502-21000	..... <b>SF0820/2E</b>	.....C01
	Gasoline	.....HJC32	.....RB20E	.....1984/10~1988/12	.....30502-21000	..... <b>SF0820/2E</b>	.....C01
2800cc	Diesel	.....SC33	.....RD28	.....1988/12~1993/01	.....30502-21000	..... <b>SF0820/2E</b>	.....C01
	Diesel	.....SC34	.....RD28	.....1993/01~1997/06	.....30502-21000	..... <b>SF0820/2E</b>	.....C01
	Diesel	.....SJC32	.....RD28	.....1986/10~1993/08	.....30502-21000	..... <b>SF0820/2E</b>	.....C01

**LAUREL SPIRIT/ローレルスピリット**

1500cc	Gasoline	.....FB12	.....GA15E,GA15S	.....1987/09~1990/03	.....30502-53J05	..... <b>FCR48-23-6/2E</b>	.....C02
	Gasoline	.....FNB12	.....GA15E,GA15S	.....1987/09~1990/03	.....30502-81N05	..... <b>FCR62-26-6/2E</b>	.....C03
1600cc	Gasoline	.....EB12	.....CA16DE	.....1986/08~1990/03	.....30502-56A60	..... <b>FCR62-33-4/2E</b>	.....C12
1700cc	Diesel	.....SB12	.....CD17	.....1986/08~1990/03	.....30502-53J05	..... <b>FCR48-23-6/2E</b>	.....C02

**LEOPARD/レパード**

2000cc	Gasoline	.....GF31	.....VG20E,VG20ET	.....1986/02~1991/12	.....30502-21000	..... <b>SF0820/2E</b>	.....C01
--------	----------	-----------	-------------------	----------------------	------------------	------------------------	----------

**LIBERTA VILLA/リベルタビラ**

1500cc	Gasoline	.....BFN13	.....GA15S,GA15E	.....1988/09~1990/08	.....30502-53J05	..... <b>FCR48-23-6/2E</b>	.....C02
	Gasoline	.....BFNN13	.....GA15S	.....1988/09~1990/08	.....30502-81N05	..... <b>FCR62-26-6/2E</b>	.....C03
	Gasoline	.....BHN13	.....E15E,E15S	.....1986/10~1988/08	.....30502-81N05	..... <b>FCR62-26-6/2E</b>	.....C03
	Gasoline	.....BHNN13	.....E15E	.....1987/01~1988/08	.....30502-53J05	..... <b>FCR48-23-6/2E</b>	.....C02
1600cc	Gasoline	.....BEN13	.....CA16DE	.....1986/10~1990/08	.....30502-56A60	..... <b>FCR62-33-4/2E</b>	.....C12
1700cc	Diesel	.....BSN13	.....CD17	.....1986/10~1990/08	.....30502-53J05	..... <b>FCR48-23-6/2E</b>	.....C02

必ず、現品と添付イラストにて確認をお願いします。Please check the actual item and an attachment illustration.



CLUTCH RELEASE



排気量 Displacement	燃料 Fuel	車両型式 Model	エンジン型式 Engine Type	年式 Model Year	クラッチリリース純正部番 OEM P/N. (互換部番) (Interchangeable OEM P/N.)	NTN品番 NTN P/N.	図番 Illustrations
---------------------	------------	---------------	-----------------------	------------------	------------------------------------------------------------------	-------------------	---------------------

LUCINO/ルキノ

1500cc	Gasoline	FB14	GA15DE	1994/05~1999/04	30502-53J05	FCR48-23-6/2E	C02
	Gasoline	FN15	GA15DE	1995/01~2000/08	30502-53J05	FCR48-23-6/2E	C02
	Gasoline	FNN15	GA15DE	1995/01~1999/04	30502-81N05	FCR62-26-6/2E	C03
1600cc	Gasoline	EN15	GA16DE	1995/01~1999/04	30502-53J05	FCR48-23-6/2E	C02
	Gasoline	JB14	SR16VE	1997/08~1999/04	30502-53J05	FCR48-23-6/2E	C02
	Gasoline	JN15	SR16VE	1997/09~1999/04	30502-53J05	FCR48-23-6/2E	C02
1800cc	Gasoline	HB14	SR18DE	1994/05~1997/08	30502-53J05	FCR48-23-6/2E	C02
	Gasoline	HN15	SR18DE	1995/01~2000/08	30502-53J05	FCR48-23-6/2E	C02
	Gasoline	HNN15	SR18DE	1996/05~1999/04	30502-65J00		

MARCH/マーチ

930cc	Gasoline	EK10	MA09ERT	1988/01~1992/01	30502-81N05	FCR62-26-6/2E	C03
1000cc	Gasoline	K10	MA10S,MA10T	1982/10~1992/01	30502-01B00	FCR38-1/2E	C09
	Gasoline	K10	MA10S,MA10T	1985/02~1992/01	30502-81N05	FCR62-26-6/2E	C03
	Gasoline	K11	CG10DE	1992/01~1997/04	30502-01B00	FCR38-1/2E	C09
	Gasoline	K11	CG10DE	1997/05~2002/02	30502-53J05	FCR48-23-6/2E	C02
	Gasoline	YK10	MA10S	1985/02~1989/01	30502-01B00	FCR38-1/2E	C09
1200cc	Gasoline	AK12	CR12DE	2002/02~2003/04	30620-AX000		
	Gasoline	AK12	CR12DE	2003/05~2004/08	30620-BN700		
1300cc	Gasoline	AK11	CGA3DE	1999/11~2002/02	30502-53J61		
	Gasoline	FHK11	CG13DE	1997/05~1999/01	30502-53J05	FCR48-23-6/2E	C02
	Gasoline	HK11	CG13DE	1992/01~1999/11	30502-53J05	FCR48-23-6/2E	C02

NX-COUPE/NXクーペ

1500cc	Gasoline	FB13	GA15DS	1990/01~1993/12	30502-53J05	FCR48-23-6/2E	C02
1600cc	Gasoline	EB13	GA16DE	1990/01~1993/12	30502-53J05	FCR48-23-6/2E	C02
1800cc	Gasoline	HB13	SR18DE	1990/01~1993/12	30502-53J05	FCR48-23-6/2E	C02

PAO/パオ

1000cc	Gasoline	PK10	MA10S	1989/01~1991/02	30502-01B00	FCR38-1/2E	C09
--------	----------	------	-------	-----------------	-------------	------------	-----

PRAIRIE/プレーリー

1500cc	Gasoline	BM10	E15S	1985/01~1988/08	30502-53J05	FCR48-23-6/2E	C02
	Gasoline	VBM10	E15S	1985/01~1988/08	30502-53J05	FCR48-23-6/2E	C02
1800cc	Gasoline	PM10	CA18S	1985/01~1988/08	30502-53J05	FCR48-23-6/2E	C02
2000cc	Gasoline	HNM10	CA20S	1985/10~1988/08	30502-28E21 (30502-1W720)	FCR62-32-14/2E	C05
	Gasoline	M11	CA20S	1988/09~1995/08	30502-D3561 (30502-5E122)	FCR48-24-5/2E	C10
	Gasoline	NM11	CA20S	1988/09~1995/08	30502-28E19 (30502-1W718)	FCR62-28-7/2E	C08
2400cc	Gasoline	HM11	KA24E	1990/09~1995/08	30502-28E14 (30502-1W724)	FCR62-29-11/2E	C06
	Gasoline	HNM11	KA24E	1990/09~1995/08	30502-28E21 (30502-1W720)	FCR62-32-14/2E	C05

必ず、現品と添付イラストにて確認を願います。Please check the actual item and an attachment illustration.

DAIHATSU  
HONDA  
ISUZU  
MAZDA  
MITSUBISHI  
NISSAN  
SUBARU  
SUZUKI  
TOYOTA

			<b>CLUTCH RELEASE</b>					
排気量 Displacement	燃料 Fuel	車両型式 Model	エンジン型式 Engine Type	年式 Model Year	クラッチリリース純正部番 OEM P/N. (互換部番) (Interchangeable OEM P/N.)		NTN品番 NTN P/N.	図番 Illustrations

**PRESEA/プレセア**

1500cc	Gasoline	····R10	····GA15DS	····1990/06~1995/01	····30502-53J05	···· <b>FCR48-23-6/2E</b>	····C02
	Gasoline	····R11	····GA15DE	····1995/01~2000/08	····30502-53J05	···· <b>FCR48-23-6/2E</b>	····C02
1800cc	Gasoline	····PR10	····SR18DI,SR18DE	····1990/06~1995/01	····30502-53J05	···· <b>FCR48-23-6/2E</b>	····C02
	Gasoline	····PR11	····SR18DE	····1995/01~2000/08	····30502-53J05	···· <b>FCR48-23-6/2E</b>	····C02
2000cc	Gasoline	····HR10	····SR20DE	····1990/06~1995/01	····30502-53J05	···· <b>FCR48-23-6/2E</b>	····C02
	Gasoline	····HR11	····SR20DE	····1995/01~2000/08	····30502-53J05	···· <b>FCR48-23-6/2E</b>	····C02

**PRIMERA/プリメーラ**

1800cc	Gasoline	····P10	····SR18DI,SR18DE	····1990/02~1995/09	····30502-53J05	···· <b>FCR48-23-6/2E</b>	····C02
	Gasoline	····P11	····SR18DE	····1995/09~1998/09	····30502-53J05	···· <b>FCR48-23-6/2E</b>	····C02
	Gasoline	····QP11	····QG18DE	····1998/09~2001/08	····30502-53J05	···· <b>FCR48-23-6/2E</b>	····C02
	Gasoline	····WP11	····SR18DE	····1997/09~1998/09	····30502-53J05	···· <b>FCR48-23-6/2E</b>	····C02
	Gasoline	····WQP11	····QG18DE	····1998/09~2001/08	····30502-53J05	···· <b>FCR48-23-6/2E</b>	····C02
2000cc	Gasoline	····HNP10	····SR20DE	····1990/10~1995/09	····30502-65J00	····	····
	Gasoline	····HNP11	····SR20DE	····1995/09~2001/08	····30502-65J00	····	····
	Gasoline	····HP10	····SR20DE	····1990/02~1995/09	····30502-53J05	···· <b>FCR48-23-6/2E</b>	····C02
	Gasoline	····HP11	····SR20DE	····1990/02~1995/09	····30502-53J05	···· <b>FCR48-23-6/2E</b>	····C02
	Gasoline	····HP12	····SR20VE	····2001/08~2003/07	····30502-1W718	···· <b>FCR62-28-7/2E</b>	····C08
	Gasoline	····WHNP11	····SR20DE	····1997/09~2001/08	····30502-65J00	····	····
	Gasoline	····WHP11	····SR20DE,SR20VE	····1997/09~2001/08	····30502-53J05	···· <b>FCR48-23-6/2E</b>	····C02
	Gasoline	····WHP12	····SR20VE	····2001/08~2003/07	····30502-1W718	···· <b>FCR62-28-7/2E</b>	····C08

**PULSAR/パルサー**

1300cc	Gasoline	····N13	····E13S	····1986/05~1990/08	····30502-81N05	···· <b>FCR62-26-6/2E</b>	····C03
	Gasoline	····N14	····GA13DS	····1990/08~1994/12	····30502-81N05	···· <b>FCR62-26-6/2E</b>	····C03
1500cc	Gasoline	····FN13	····GA15S	····1988/04~1990/08	····30502-53J05	···· <b>FCR48-23-6/2E</b>	····C02
	Gasoline	····FN14	····GA15DS	····1990/08~1994/12	····30502-53J05	···· <b>FCR48-23-6/2E</b>	····C02
	Gasoline	····FN15	····GA15DE	····1995/01~2000/08	····30502-53J05	···· <b>FCR48-23-6/2E</b>	····C02
	Gasoline	····FNN13	····GA15DE,GA15E	····1988/04~1990/08	····30502-81N05	···· <b>FCR62-26-6/2E</b>	····C03
	Gasoline	····FNN14	····GA15DS	····1990/08~1994/12	····30502-81N05	···· <b>FCR62-26-6/2E</b>	····C03
	Gasoline	····FNN15-HATCHBACK	····GA15DE	····1995/01~2000/08	····30502-53J05	···· <b>FCR48-23-6/2E</b>	····C02
	Gasoline	····FNN15-SEDAN	····GA15DE	····1995/01~2000/08	····30502-81N05	···· <b>FCR62-26-6/2E</b>	····C03
	Gasoline	····HN13	····E15S	····1986/05~1988/04	····30502-53J05	···· <b>FCR48-23-6/2E</b>	····C02
	Gasoline	····HNN13	····E15S	····1986/05~1988/04	····30502-81N05	···· <b>FCR62-26-6/2E</b>	····C03
1600cc	Gasoline	····EN13	····CA16DE	····1986/05~1990/08	····30502-56A60	···· <b>FCR62-33-4/2E</b>	····C12
	Gasoline	····EN14	····GA16DE	····1990/08~1994/12	····30502-53J05	···· <b>FCR48-23-6/2E</b>	····C02
	Gasoline	····EN15	····GA16DE	····1995/01~2000/08	····30502-53J05	···· <b>FCR48-23-6/2E</b>	····C02
	Gasoline	····JN15	····SR16VE	····1997/09~2000/08	····30502-53J05	···· <b>FCR48-23-6/2E</b>	····C02
1700cc	Diesel	····SN13	····CD17	····1986/05~1990/08	····30502-53J05	···· <b>FCR48-23-6/2E</b>	····C02
	Diesel	····SN14	····CD17	····1990/08~1994/12	····30502-53J05	···· <b>FCR48-23-6/2E</b>	····C02
	Diesel	····SN14	····CD17	····1992/08~1994/12	····30502-81N05	···· <b>FCR62-26-6/2E</b>	····C03
1800cc	Gasoline	····HN14	····SR18DE	····1990/08~1994/12	····30502-53J05	···· <b>FCR48-23-6/2E</b>	····C02
	Gasoline	····HN15	····SR18DE	····1995/01~2000/08	····30502-53J05	···· <b>FCR48-23-6/2E</b>	····C02
	Gasoline	····HNN15	····SR18DE	····1996/05~2000/08	····30502-65J00	····	····

必ず、現品と添付イラストにて確認をお願いします。Please check the actual item and an attachment illustration.



CLUTCH RELEASE



排気量 Displacement	燃料 Fuel	車両型式 Model	エンジン型式 Engine Type	年式 Model Year	クラッチリリース純正部番 OEM P/N. (互換部番) (Interchangeable OEM P/N.)	NTN品番 NTN P/N.	図番 Illustrations
---------------------	------------	---------------	-----------------------	------------------	------------------------------------------------------------------	-------------------	---------------------

PULSAR/パルサー

2000cc	Gasoline	.....RNN14.....	SR20DET	.....1990/08~1994/12	.....30502-28E21 (30502-1W720)	..... <b>FCR62-32-14/2E</b>	.....C05
	Diesel	.....SN15	.....CD20	.....1995/01~2000/08	.....30502-81N05	..... <b>FCR62-26-6/2E</b>	.....C03
	Diesel	.....SNN15.....	.....CD20	.....1995/01~1997/03	.....30502-28E17 (30502-1W716)	..... <b>FCR62-30-6/2E</b>	.....C04
	Diesel	.....SNN15.....	.....CD20	.....1997/04~2000/08	.....30502-0W716 (30502-1W716)	..... <b>FCR62-30-6/2E</b>	.....C04

RASHEEN/ラシーン

1500cc	Gasoline	.....RFNB14	.....GA15DE	.....1994/12~2000/08	.....30502-81N05	..... <b>FCR62-26-6/2E</b>	.....C03
--------	----------	-------------	-------------	----------------------	------------------	----------------------------	----------

SAFARI/サファリ

2800cc	Diesel	.....WYY60	.....RD28T	.....1994/10~1996/02	.....30502-V6200		
	Diesel	.....WYY60	.....RD28T	.....1996/03~1998/03	.....30502-45P00		
	Diesel	.....WYY61	.....RD28TI	.....1997/10~1999/05	.....30502-69F10		
	Diesel	.....WYY61	.....RD28TI	.....1999/06~1999/09	.....30502-45P00		
3000cc	Diesel	.....WTY61	.....ZD30DI	.....1999/09~2002/11	.....30502-69F10		
4200cc	Gasoline	.....FGY60	.....TB42S	.....1987/10~1998/03	.....30502-21000	..... <b>SF0820/2E</b>	.....C01
	Diesel	.....VRGY60	.....TD42	.....1987/10~1996/02	.....30502-V6200		
	Diesel	.....VRGY60	.....TD42	.....1996/03~1998/03	.....30502-45P00		
	Diesel	.....VRGY61	.....TD42T	.....1999/09~2002/11	.....30502-69F10		
	Diesel	.....VRY60	.....TD42	.....1987/10~1993/08	.....30502-V6200		
	Gasoline	.....WGY60	.....TB42E	.....1991/10~1998/03	.....30502-V6200		
	Diesel	.....WRGY60	.....TD42	.....1991/02~1993/08	.....30502-V6200		
	Diesel	.....WRGY61	.....TD42T	.....1997/10~1999/05	.....30502-45P00		
	Diesel	.....WRGY61	.....TD42T	.....1999/06~1999/09	.....30502-69F10		
	Diesel	.....WRY60	.....TD42,TD42T	.....1991/02~1996/02	.....30502-V6200		
	Diesel	.....WRY60	.....TD42,TD42T	.....1996/03~1998/03	.....30502-45P00		

SERENA/セレナ

1600cc	Gasoline	.....KAJC23	.....GA16DE	.....1994/05~1996/02	.....30502-21000	..... <b>SF0820/2E</b>	.....C01
	Gasoline	.....KAJC23	.....GA16DE	.....1996/03~1997/01	.....30502-45P00		
	Gasoline	.....VAJC23	.....GA16DE	.....1994/05~1996/02	.....30502-21000	..... <b>SF0820/2E</b>	.....C01
	Gasoline	.....VAJC23	.....GA16DE	.....1996/03~1999/06	.....30502-45P00		
2000cc	Gasoline	.....KBC23	.....SR20DE	.....1994/05~1999/06	.....30502-45P00		
	Gasoline	.....KBCC23	.....SR20DE	.....1994/05~1999/06	.....30502-45P00		
	Gasoline	.....KBNC23	.....SR20DE	.....1994/05~1999/06	.....30502-45P00		
	Diesel	.....KVC23	.....CD20T,CD20ET	.....1994/05~1999/06	.....30502-28E17 (30502-1W716)	..... <b>FCR62-30-6/2E</b>	.....C04
	Diesel	.....KVNC23	.....CD20T,CD20ET	.....1994/05~1999/06	.....30502-28E17 (30502-1W716)	..... <b>FCR62-30-6/2E</b>	.....C04
	Diesel	.....VVJC23	.....CD20	.....1994/05~1999/06	.....30502-28E19 (30502-1W718)	..... <b>FCR62-28-7/2E</b>	.....C08

SILVIA/シルビア

1800cc	Gasoline	.....JS12	.....CA18E,CA18S	.....1983/08~1988/04	.....30502-21000	..... <b>SF0820/2E</b>	.....C01
	Gasoline	.....KS13	.....CA18DE,CA18DET	.....1988/05~1989/08	.....30502-21000	..... <b>SF0820/2E</b>	.....C01

必ず、現品と添付イラストにて確認を願います。Please check the actual item and an attachment illustration.

			<b>CLUTCH RELEASE</b> 				
排気量 Displacement	燃料 Fuel	車両型式 Model	エンジン型式 Engine Type	年式 Model Year	クラッチリリース純正部番 OEM P/N. (互換部番) (Interchangeable OEM P/N.)	NTN品番 NTN P/N.	図番 Illustrations

**SILVIA/シルビア**

1800cc	Gasoline	KS13	CA18DE,CA18DET	1989/09~1991/01	30502-45P00		
	Gasoline	S12	CA18ET,CA18DET	1983/08~1988/04	30502-21000	<b>SF0820/2E</b>	C01
	Gasoline	S13	CA18DE,CA18DET	1988/05~1989/08	30502-21000	<b>SF0820/2E</b>	C01
	Gasoline	S13	CA18DE,CA18DET	1989/09~1991/01	30502-45P00		
2000cc	Gasoline	CS14	SR20DE	1993/10~1996/02	30502-21000	<b>SF0820/2E</b>	C01
	Gasoline	CS14	SR20DE	1996/03~1999/01	30502-45P00		
	Gasoline	CS14	SR20DT	1995/03~1996/03	30502-45P00		
	Gasoline	KPS13	SR20DE,SR20DET	1991/01~1993/10	30502-21000	<b>SF0820/2E</b>	C01
	Gasoline	PS13	SR20DE,SR20DET	1991/01~1993/10	30502-21000	<b>SF0820/2E</b>	C01
	Gasoline	S14	SR20DE	1993/10~1995/02	30502-21000	<b>SF0820/2E</b>	C01
	Gasoline	S14	SR20DE,SR20DET	1995/03~1996/03	30502-45P00		
	Gasoline	S15	SR20DE,SR20DET	1999/01~1999/03	30502-45P00		
	Gasoline	S15	SR20DE,SR20DET	1999/04~2002/08	30502-69F10		

**SKYLINE/スカイライン**

1800cc	Gasoline	FJR30	CA18S,CA18E	1982/10~1989/10	30502-21000	<b>SF0820/2E</b>	C01
	Gasoline	FJR31	CA18S	1985/08~1989/04	30502-45P00		
	Gasoline	FR32	CA18I	1989/05~1990/12	30502-45P00		
	Gasoline	FR32	CA18I	1991/01~1993/08	30502-21000	<b>SF0820/2E</b>	C01
	Gasoline	VPJR30	Z18S	1981/08~1989/11	30502-21000	<b>SF0820/2E</b>	C01
	Gasoline	WFJR31	CA18S	1986/01~1990/04	30502-45P00		
2000cc	Gasoline	HCR32	RB20DE,RB20DET	1989/05~1993/08	30502-21000	<b>SF0820/2E</b>	C01
	Gasoline	HNR32	RB20DET	1989/05~1993/08	30502-21000	<b>SF0820/2E</b>	C01
	Gasoline	HR30	L20E,L20ET	1981/08~1989/10	30502-21000	<b>SF0820/2E</b>	C01
	Gasoline	HR31	RB20E,RB20DE, RB20DET	1985/08~1989/04	30502-21000	<b>SF0820/2E</b>	C01
	Gasoline	HR32	RB20E,RB20DE	1989/05~1993/08	30502-21000	<b>SF0820/2E</b>	C01
	Gasoline	HR33	RB20E	1993/08~1996/02	30502-21000	<b>SF0820/2E</b>	C01
	Gasoline	HR33	RB20E	1996/03~1999/01	30502-45P00		
	Gasoline	HR34	RB20	1998/05~1999/02	30502-45P00		
	Gasoline	HR34	RB20	1999/03~2001/06	30502-69F10		
	Diesel	VSJR30	LD20	1981/10~1989/11	30502-21000	<b>SF0820/2E</b>	C01
	Gasoline	YHR31	RB20E	1985/08~1989/11	30502-21000	<b>SF0820/2E</b>	C01
	Gasoline	YHR32	RB20E	1989/05~1991/08	30502-21000	<b>SF0820/2E</b>	C01
2500cc	Gasoline	ECR32	RB25DE	1991/08~1993/08	30502-21000	<b>SF0820/2E</b>	C01
	Gasoline	ECR33	RB25DE	1993/08~1996/01	30502-21000	<b>SF0820/2E</b>	C01
	Gasoline	ECR33	RB25DET	1993/08~1996/02	30502-21000	<b>SF0820/2E</b>	C01
	Gasoline	ECR33	RB25DET	1996/03~1997/05	30502-45P00		
	Gasoline	ENR33	RB25DE	1993/11~1996/02	30502-21000	<b>SF0820/2E</b>	C01
	Gasoline	ENR33	RB25DE	1996/03~1997/05	30502-45P00		
	Gasoline	ENR34	RB25DE	1998/05~1999/03	30502-45P00		
	Gasoline	ENR34	RB25DE	1999/04~2001/06	30502-69F10		
	Gasoline	ER33	RB25DE	1993/08~1996/02	30502-21000	<b>SF0820/2E</b>	C01
	Gasoline	ER33	RB25DE	1996/03~1997/05	30502-45P00		
	Gasoline	ER34	RB25DE	1998/05~1999/04	30502-21000	<b>SF0820/2E</b>	C01

必ず、現品と添付イラストにて確認をお願いします。Please check the actual item and an attachment illustration.



CLUTCH RELEASE



排気量 Displacement	燃料 Fuel	車両型式 Model	エンジン型式 Engine Type	年式 Model Year	クラッチリリース純正部番 OEM P/N. (互換部番) (Interchangeable OEM P/N.)	NTN品番 NTN P/N.	図番 Illustrations
---------------------	------------	---------------	-----------------------	------------------	------------------------------------------------------------------	-------------------	---------------------

SKYLINE/スカイライン

2500cc	Gasoline	ER34	RB25DE	1998/05~2001/06	30502-45P00		
	Gasoline	ER34-TURBO	RB25DET	1998/05~2001/06	30502-12U00		
2600cc	Gasoline	BCNR33	RB26DET	1994/12~1996/02	30502-21000	SF0820/2E	C01
	Gasoline	BCNR33	RB26DET	1996/03~1999/01	30502-45P00		
	Gasoline	BNR32	RB26DET	1989/08~1993/01	30502-21000	SF0820/2E	C01
	Gasoline	BNR32	RB26DET	1993/02~1994/11	30502-12U00		
	Gasoline	BNR34	RB26DET	1999/01~2002/08	30502-12U00		
2800cc	Diesel	SR31	RD28	1985/08~1989/04	30502-21000	SF0820/2E	C01
3500cc	Gasoline	CPV35	VQ35DE	2003/01~2004/08	30502-69F10		

STAGEA/ステージア

2500cc	Gasoline	WGNC34	RB25DE, RB25DET	1996/09~2001/10	30502-12U00		
2600cc	Gasoline	WGNC34	RB26DET	1997/11~2001/10	30502-12U00		

STANZA/スタンザ

1600cc	Gasoline	T12	CA16S	1986/06~1989/12	30502-81N05	FCR62-26-6/2E	C03
1800cc	Gasoline	PT12	CA18I	1986/06~1989/12	30502-53J05	FCR48-23-6/2E	C02
	Gasoline	PT12	CA18DE	1988/01~1989/12	30502-D3561 (30502-5E122)	FCR48-24-5/2E	C10
	Gasoline	PT12	CA18ET, CA18DET	1986/06~1989/12	30502-28E19 (30502-1W718)	FCR62-28-7/2E	C08

SUNNY/サニー

1300cc	Gasoline	B12	E13S	1985/09~1990/10	30502-81N05	FCR62-26-6/2E	C03
	Gasoline	B13	GA13DS	1990/01~1993/12	30502-81N05	FCR62-26-6/2E	C03
	Gasoline	B14	GA13DS	1994/01~1997/07	30502-81N05	FCR62-26-6/2E	C03
	Gasoline	B14	GA13DS	1997/08~1998/10	30502-53J61		
	Gasoline	B15	QG13DE	1998/10~2004/08	30502-81N05	FCR62-26-6/2E	C03
1500cc	Gasoline	FB12	GA15S, GA15E	1987/09~1990/01	30502-53J05	FCR48-23-6/2E	C02
	Gasoline	FB13	GA15DS	1990/01~1993/12	30502-53J05	FCR48-23-6/2E	C02
	Gasoline	FB14	GA15DE	1994/01~1998/10	30502-53J05	FCR48-23-6/2E	C02
	Gasoline	FB15	QG15DE	1998/10~2004/08	30502-81N05	FCR62-26-6/2E	C03
	Gasoline	FNB12	GA15S, GA15E	1987/09~1990/01	30502-81N05	FCR62-26-6/2E	C03
	Gasoline	FNB13	GA15DS	1990/01~1993/12	30502-81N05	FCR62-26-6/2E	C03
	Gasoline	FNB14	GA15DE	1994/01~1997/05	30502-81N05	FCR62-26-6/2E	C03
	Gasoline	FNB15	QG15DE	1998/10~2004/08	30502-53J05	FCR48-23-6/2E	C02
	Gasoline	WFB12	GA15S	1987/09~1990/10	30502-53J05	FCR48-23-6/2E	C02
	Gasoline	WFB12	GA15E, GA15S	1987/09~1990/10	30502-81N05	FCR62-26-6/2E	C03
1600cc	Gasoline	EB12	CA16DE	1986/08~1990/01	30502-56A60	FCR62-33-4/2E	C12
	Gasoline	EB13	GA16DE	1990/01~1993/12	30502-53J05	FCR48-23-6/2E	C02
	Gasoline	EB14	GA16DE	1994/01~1998/12	30502-53J05	FCR48-23-6/2E	C02
	Gasoline	JB15	SR16VE	1998/10~2000/09	30502-5E122	FCR48-24-5/2E	C10
1700cc	Diesel	SB12	CD17	1985/09~1990/01	30502-53J05	FCR48-23-6/2E	C02
	Diesel	SB13	CD17	1990/01~1993/12	30502-53J05	FCR48-23-6/2E	C02
	Diesel	SB13	CD17	1992/01~1993/12	30502-81N05	FCR62-26-6/2E	C03

必ず、現品と添付イラストにて確認をお願いします。Please check the actual item and an attachment illustration.



排気量 Displacement	燃料 Fuel	車両型式 Model	エンジン型式 Engine Type	年式 Model Year	クラッチリリース純正部番 OEM P/N. (互換部番) (Interchangeable OEM P/N.)	NTN品番 NTN P/N.	図番 Illustrations
---------------------	------------	---------------	-----------------------	------------------	------------------------------------------------------------------	-------------------	---------------------

### SUNNY/サニー

1700cc	Diesel	SNB13	CD17	1990/01~1993/12	30502-81N05	<b>FCR62-26-6/2E</b>	C03
	Diesel	WSB12	CD17	1985/09~1990/10	30502-53J05	<b>FCR48-23-6/2E</b>	C02
1800cc	Gasoline	HB13	SR18DE	1990/01~1993/12	30502-53J05	<b>FCR48-23-6/2E</b>	C02
	Gasoline	HB14	SR18DE	1994/01~1997/05	30502-53J05	<b>FCR48-23-6/2E</b>	C02
	Gasoline	HNB13	SR18DE	1990/01~1993/12	30502-53J05	<b>FCR48-23-6/2E</b>	C02
2000cc	Diesel	SB14	CD20	1994/01~1995/01	30502-53J05	<b>FCR48-23-6/2E</b>	C02
	Diesel	SB14	CD20	1994/01~1999/09	30502-81N05	<b>FCR62-26-6/2E</b>	C03
	Diesel	SNB14	CD20	1994/01~1997/03	30502-28E17 (30502-1W716)	<b>FCR62-30-6/2E</b>	C04
	Diesel	SNB14	CD20	1997/04~1999/09	30502-0W716 (30502-1W716)	<b>FCR62-30-6/2E</b>	C04
2200cc	Diesel	SB15	YD22DD	1999/09~2002/05	30502-1W724	<b>FCR62-29-11/2E</b>	C06

### SUNNY CALIFORNIA/サニーカリフォルニア

1500cc	Gasoline	WFNY10	GA15DS,GA15DE	1990/10~1996/05	30502-81N05	<b>FCR62-26-6/2E</b>	C03
	Gasoline	WFY10	GA15DS,GA15DE	1990/10~1996/05	30502-53J05	<b>FCR48-23-6/2E</b>	C02

### SUNNY TRUCK/サニートラック

1200cc	Gasoline	B122	A12S	1981/10~1994/03	30502-21000	<b>SF0820/2E</b>	C01
	Gasoline	GB122	A12S	1981/10~1994/03	30502-21000	<b>SF0820/2E</b>	C01

### TERRANO/テラノ

2700cc	Diesel	LBYD21	TD27T	1993/01~1995/08	30502-28E21 (30502-1W720)	<b>FCR62-32-14/2E</b>	C05
	Diesel	PR50	TD27T1	1995/09~1997/01	30502-28E14 (30502-1W724)	<b>FCR62-29-11/2E</b>	C06
	Diesel	PR50	TD27T1	1997/02~1999/02	30502-1W724	<b>FCR62-29-11/2E</b>	C06
	Diesel	VBYD21	TD27	1986/08~1993/01	30502-28E21 (30502-1W720)	<b>FCR62-32-14/2E</b>	C05
	Diesel	WBYD21	TD27,TD27T	1986/08~1995/08	30502-28E21 (30502-1W720)	<b>FCR62-32-14/2E</b>	C05
3000cc	Gasoline	WHYD21	VG30,VG30E	1987/08~1995/08	30502-21000	<b>SF0820/2E</b>	C01

### VANETTE/バネット

1200cc	Gasoline	C122	A12	1981/06~1988/10	30502-21000	<b>SF0820/2E</b>	C01
	Gasoline	JC22	A12S	1988/11~1994/03	30502-21000	<b>SF0820/2E</b>	C01
	Gasoline	VJC22	A12	1985/09~1994/03	30502-21000	<b>SF0820/2E</b>	C01
1500cc	Gasoline	HC122	A15	1985/08~1988/10	30502-21000	<b>SF0820/2E</b>	C01
	Gasoline	HGC122	A15	1985/08~1988/10	30502-21000	<b>SF0820/2E</b>	C01
	Gasoline	KPC22	A15	1985/09~1991/06	30502-21000	<b>SF0820/2E</b>	C01
	Gasoline	KPJC22	A15	1985/09~1991/06	30502-21000	<b>SF0820/2E</b>	C01
	Gasoline	PGJC22	A15S	1988/11~1994/03	30502-21000	<b>SF0820/2E</b>	C01
	Gasoline	PJC22	A15S	1988/11~1994/03	30502-21000	<b>SF0820/2E</b>	C01
	Gasoline	SE58TN	D5	1994/04~1995/08	30502-HC000	<b>FCR50-6-2/2E</b>	C14
	Gasoline	SS58VN	D5	1994/04~1995/08	30502-HC000	<b>FCR50-6-2/2E</b>	C14
	Gasoline	VPGJC22	A15S	1986/05~1993/04	30502-21000	<b>SF0820/2E</b>	C01
	Gasoline	VPJC22	A15	1985/09~1994/03	30502-21000	<b>SF0820/2E</b>	C01

必ず、現品と添付イラストにて確認をお願いします。Please check the actual item and an attachment illustration.



CLUTCH RELEASE



排気量 Displacement	燃料 Fuel	車両型式 Model	エンジン型式 Engine Type	年式 Model Year	クラッチリリース純正部番 OEM P/N. (互換部番) (Interchangeable OEM P/N.)	NTN品番 NTN P/N.	図番 Illustrations
---------------------	------------	---------------	-----------------------	------------------	------------------------------------------------------------------	-------------------	---------------------

VANETTE/バネット

1800cc	Gasoline	.....KHGC22	.....CA18ET	.....1986/05~1993/04	.....30502-21000	.....SF0820/2E	.....C01
	Gasoline	.....KHGNC22	.....CA18ET	.....1989/06~1993/04	.....30502-21000	.....SF0820/2E	.....C01
	Gasoline	.....SE88MN	.....F8	.....1994/04~1999/07	.....30502-HC400	.....FCR54-33-2/2E	.....C15
	Gasoline	.....SE88TN	.....F8	.....1995/08~1999/07	.....30502-HC400	.....FCR54-33-2/2E	.....C15
	Gasoline	.....SK82LN	.....F8E	.....1999/06~2003/08	.....30502-HC400	.....FCR54-33-2/2E	.....C15
	Gasoline	.....SK82MN	.....F8E	.....1999/06~2003/08	.....30502-HC400	.....FCR54-33-2/2E	.....C15
	Gasoline	.....SK82TN	.....F8E	.....1999/06~2003/08	.....30502-HC400	.....FCR54-33-2/2E	.....C15
	Gasoline	.....SK82VN	.....F8E	.....1999/06~2003/08	.....30502-HC400	.....FCR54-33-2/2E	.....C15
	Gasoline	.....SS88HN	.....F8	.....1996/10~1999/07	.....30502-HC400	.....FCR54-33-2/2E	.....C15
	Gasoline	.....SS88MN	.....F8	.....1994/04~1999/07	.....30502-HC400	.....FCR54-33-2/2E	.....C15
	Gasoline	.....SS88VN	.....F8	.....1995/08~1996/10	.....30502-HC400	.....FCR54-33-2/2E	.....C15
2000cc	Diesel	.....EC120	.....LD20	.....1981/06~1988/10	.....30502-21000	.....SF0820/2E	.....C01
	Diesel	.....ECG120	.....LD20	.....1981/06~1988/10	.....30502-21000	.....SF0820/2E	.....C01
	Gasoline	.....FJNC22	.....NA20S	.....1990/08~1994/03	.....30502-21000	.....SF0820/2E	.....C01
	Gasoline	.....KMC22	.....CA20	.....1985/09~1991/06	.....30502-21000	.....SF0820/2E	.....C01
	Gasoline	.....KMGC22	.....CA20S	.....1986/05~1993/04	.....30502-21000	.....SF0820/2E	.....C01
	Gasoline	.....KMGNC22	.....CA20S	.....1986/11~1993/04	.....30502-21000	.....SF0820/2E	.....C01
	Gasoline	.....KMJNC22	.....CA20S	.....1988/09~1991/06	.....30502-21000	.....SF0820/2E	.....C01
	Diesel	.....KUC22	.....LD20,LD20T	.....1985/09~1991/06	.....30502-21000	.....SF0820/2E	.....C01
	Diesel	.....KUGC22	.....LD20T	.....1986/05~1993/04	.....30502-21000	.....SF0820/2E	.....C01
	Diesel	.....KUGNC22	.....LD20T	.....1986/11~1993/04	.....30502-21000	.....SF0820/2E	.....C01
	Diesel	.....KUJC22	.....LD20	.....1985/09~1991/06	.....30502-21000	.....SF0820/2E	.....C01
	Diesel	.....KUJNC22	.....LD20T	.....1988/09~1991/06	.....30502-21000	.....SF0820/2E	.....C01
	Gasoline	.....RJNC22	.....Z20S	.....1988/11~1990/08	.....30502-21000	.....SF0820/2E	.....C01
	Diesel	.....UGJC22	.....LD20	.....1988/11~1994/03	.....30502-21000	.....SF0820/2E	.....C01
	Diesel	.....UGJNC22	.....LD20	.....1993/11~1994/03	.....30502-21000	.....SF0820/2E	.....C01
	Diesel	.....UJC22	.....LD20	.....1988/11~1994/03	.....30502-21000	.....SF0820/2E	.....C01
	Diesel	.....VUGJC22	.....LD20	.....1986/05~1993/04	.....30502-21000	.....SF0820/2E	.....C01
	Diesel	.....VUGJNC22	.....LD20	.....1986/11~1993/04	.....30502-21000	.....SF0820/2E	.....C01
	Diesel	.....VUJC22	.....LD20	.....1985/09~1994/03	.....30502-21000	.....SF0820/2E	.....C01
	Diesel	.....VUJNBC22	.....LD20	.....1988/09~1991/06	.....30502-21000	.....SF0820/2E	.....C01
	Diesel	.....VUJNC22	.....LD20	.....1988/09~1994/03	.....30502-21000	.....SF0820/2E	.....C01
2200cc	Diesel	.....SE28MN	.....R2	.....1994/04~1999/07	.....30502-HC400	.....FCR54-33-2/2E	.....C15
	Diesel	.....SE28TN	.....R2	.....1994/04~1999/07	.....30502-HC400	.....FCR54-33-2/2E	.....C15
	Diesel	.....SK22LN	.....R2	.....1999/06~2003/08	.....30502-HC400	.....FCR54-33-2/2E	.....C15
	Diesel	.....SK22MN	.....R2	.....1999/06~2003/08	.....30502-HC400	.....FCR54-33-2/2E	.....C15
	Diesel	.....SK22TN	.....R2	.....1999/06~2003/08	.....30502-HC400	.....FCR54-33-2/2E	.....C15
	Diesel	.....SK22VN	.....R2	.....1999/06~2003/08	.....30502-HC400	.....FCR54-33-2/2E	.....C15
	Diesel	.....SS28HN	.....R2	.....1996/10~1999/07	.....30502-HC400	.....FCR54-33-2/2E	.....C15
	Diesel	.....SS28MN	.....R2	.....1994/04~1999/07	.....30502-HC400	.....FCR54-33-2/2E	.....C15
	Diesel	.....SS28VN	.....R2	.....1994/04~1999/07	.....30502-HC400	.....FCR54-33-2/2E	.....C15

必ず、現品と添付イラストにて確認をお願いします。Please check the actual item and an attachment illustration.



			<b>CLUTCH RELEASE</b>					
排気量 Displacement	燃料 Fuel	車両型式 Model	エンジン型式 Engine Type	年式 Model Year	クラッチリリース純正部番 OEM P/N. (互換部番) (Interchangeable OEM P/N.)		NTN品番 NTN P/N.	図番 Illustrations

### VANETTE SERENA/バネットセレナ

1600cc	Gasoline	KAJC23	GA16DE	1991/06~1994/04	30502-21000	SF0820/2E	C01
	Gasoline	VAJC23	GA16DS	1991/06~1994/04	30502-21000	SF0820/2E	C01
2000cc	Gasoline	KBC23	SR20DE	1991/06~1994/04	30502-45P00		
	Gasoline	KBCC23	SR20DE	1991/06~1994/04	30502-45P00		
	Gasoline	KBNC23	SR20DE	1991/06~1994/04	30502-45P00		
	Diesel	KVC23	CD20T,CD20ET	1991/06~1994/04	30502-28E17 (30502-1W716)	FCR62-30-6/2E	C04
	Diesel	KVJC23	CD20	1991/06~1993/08	30502-28E19 (30502-1W718)	FCR62-28-7/2E	C08
	Diesel	KVNC23	CD20T,CD20ET	1991/06~1994/04	30502-28E17 (30502-1W716)	FCR62-30-6/2E	C04
	Diesel	VVJC23	CD20	1991/06~1994/04	30502-28E19 (30502-1W718)	FCR62-28-7/2E	C08

### WINGROAD/ウィングロード

1500cc	Gasoline	WFNY10	GA15DE	1996/05~1999/06	30502-81N05	FCR62-26-6/2E	C03
	Gasoline	WFY10	GA15DE	1996/05~1999/06	30502-53J05	FCR48-23-6/2E	C02
	Gasoline	WFY11	QG15DE	1999/05~2004/08	30502-81N05	FCR62-26-6/2E	C03
1800cc	Gasoline	WHNY11	QG18DE	1999/05~2001/10	30502-53J05	FCR48-23-6/2E	C02
2000cc	Diesel	WEY10	CD20	1996/05~1999/06	30502-81N05	FCR62-26-6/2E	C03

### X-TRAIL/エクストレイル

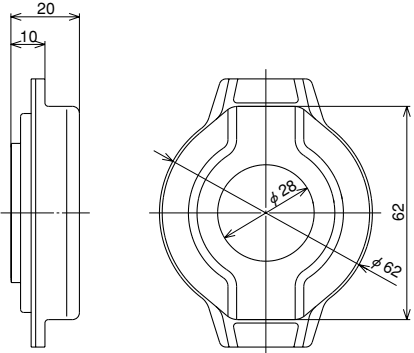
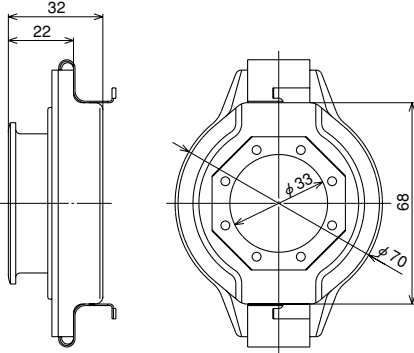
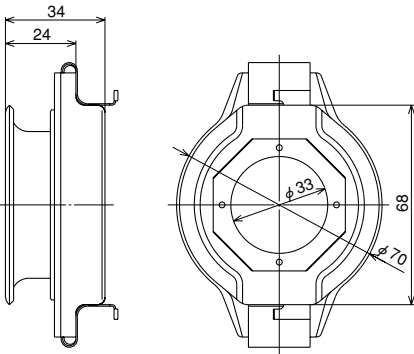
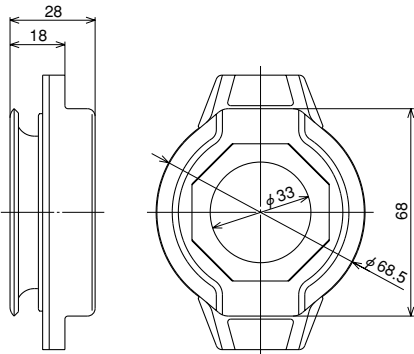
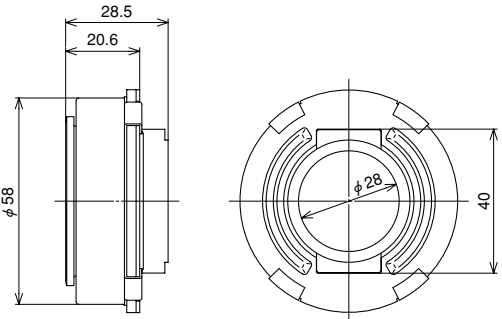
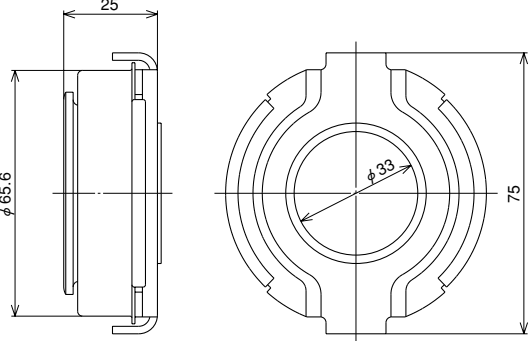
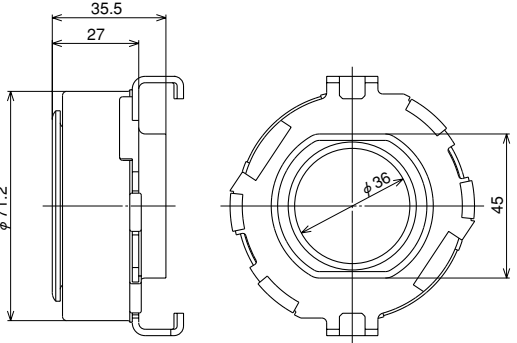
2000cc	Gasoline	NT30	QR20DE	2000/10~2004/08	30502-1W716	FCR62-30-6/2E	C04
--------	----------	------	--------	-----------------	-------------	---------------	-----

クラッチリリース図面

DAIHATSU  
HONDA  
ISUZU  
MAZDA  
MITSUBISHI  
NISSAN  
SUBARU  
SUZUKI  
TOYOTA

<p><b>C01</b> SF0820/2E</p>	<p><b>C02</b> FCR48-23-6/2E</p>
<p><b>C03</b> FCR62-26-6/2E</p>	<p><b>C04</b> FCR62-30-6/2E</p>
<p><b>C05</b> FCR62-32-14/2E</p>	<p><b>C06</b> FCR62-29-11/2E</p>
<p><b>C07</b> 55TRK30A/2E</p>	<p><b>C08</b> FCR62-28-7/2E</p>

クラッチリリース図面

<b>C09</b>	FCR38-1/2E	<b>C10</b>	FCR48-24-5/2E
			
<b>C11</b>	FCR62-29-12/2E	<b>C12</b>	FCR62-33-4/2E
			
<b>C13</b>	FCR44-13-2/2E	<b>C14</b>	FCR50-6-2/2E
			
<b>C15</b>	FCR54-33-2/2E	<b>C16</b>	
			

DAIHATSU

HONDA

ISUZU

MAZDA

MITSUBISHI

NISSAN

SUBARU

SUZUKI

TOYOTA

DAIHATSU

HONDA

ISUZU

MAZDA

MITSUBISHI

**NISSAN**

SUBARU

SUZUKI

TOYOTA