

MAZDA

INDEX

AZ-1/AZ-1	2	KHRONOS/クロノス	22
AZ-3/AZ-3	2	LANTIS/ランティス	22
AZ-WAGON/AZ-ワゴン	2	LAPUTA/ラピュタ	22
BONGO/ボンゴ	2	LASER/レーザー	22
BONGO BRAWNY/ボンゴブローニイ	4	LASER LIDEA/レーザーリデア	26
CAPELLA/カペラ	6	LUCE/ルーチェ	26
CAPELLA WAGON/カペラワゴン	8	MILLENIA/ミレーニア	26
CAROL/キャロル	10	MPV/MPV	26
CENTIA/センティア	10	MS-6/MS-6	26
CLEF/クレフ	10	MS-8/MS-8	28
COSMO/コスモ	10	MS-9/MS-9	28
DEMIO/デミオ	12	MX-6/MX-6	28
ETUDE/エチュード	12	PERSONA/ペルソナ	28
EUNOS PRESSO/ユーノスプレzzo	12	PREMACY/プレマシー	28
EUNOS ROADSTER/ユーノスロードスター	12	PROCEED/プロシード	28
EUNOS100/ユーノス100	12	PROCEED LEVANTE/プロシードレバンテ	28
EUNOS300/ユーノス300	12	REVUE/レビュー	30
EUNOS500/ユーノス500	12	ROADSTER/ロードスター	30
EUNOS800/ユーノス800	14	SCRUM/スクラム	30
FAMILIA/ファミリア	14	SCRUM WAGON/スクラムワゴン	30
FAMILIA ASTINA/ファミリアアスティナ	16	SPECTRON/スペクトロン	30
FAMILIA VAN/ファミリアバン	18	TELSTAR/テルスター	32
FAMILIA WAGON/ファミリアワゴン	18	TELSTAR WAGON/テルスターワゴン	32
FESTIVA/フェスティバ	18	TELSTAR II/テルスターII	34
FESTIVA MINI WAGON/フェスティバミニワゴン	18	TITAN/タイタン	34
FREDA/フリーダ	18	TRIBUTE/トリビュート	34
FRIENDEE/フレンディ	20	TENSIONER ILLUSTRATION/テンショナ図面	36
IXION/イクシオン	20	IDLER ILLUSTRATION/アイドラ図面	38
J100/J100	20		
J80/J80	20		

車種はアルファベット順記載



TENSIONER 1



排気量 Displacement	燃料 Fuel	車両型式 Model	エンジン型式 Engine Type	年式 Model Year	テンショナ純正部番 OEM P/N. (互換部番) (Interchangeable OEM P/N.)	NTN品番 NTN P/N.	図番 Illustrations
---------------------	------------	---------------	-----------------------	------------------	---------------------------------------------------------------	-------------------	---------------------

AZ-1/AZ-1

660cc	Gasoline	PG6SA	F6A	1992/10 ~ 1996/05	AY01-12-700B	JPU42-004A-3	T01
-------	----------	-------	-----	-------------------	--------------	--------------	-----

AZ-3/AZ-3

1500cc	Gasoline	EC5SA	B5	1991/06 ~ 1998/01	B660-12-700F (B660-12-700E)		
1800cc	Gasoline	ECPSA	K8	1993/09 ~ 1998/01	KLY2-12-SJ0 (KL01-12-750)		

AZ-WAGON/AZ-ワゴン

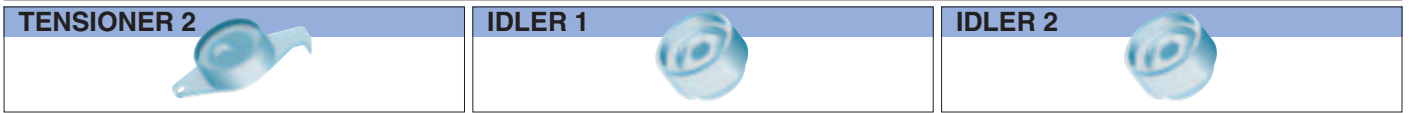
660cc	Gasoline	CY21S	F6A	1994/07 ~ 1998/09	AY01-12-700B	JPU42-004A-3	T01
	Gasoline	CY21S-TURBO	F6A	1995/10 ~ 1998/09	1A60-12-700C	JPU42-002A-3	T02
	Gasoline	CZ21S	F6A	1994/07 ~ 1998/09	AY01-12-700B	JPU42-004A-3	T01
	Gasoline	CZ21S-TURBO	F6A	1994/07 ~ 1998/09	1A60-12-700C	JPU42-002A-3	T02
	Gasoline	MD11S	F6A	1998/10 ~ 2000/11	1A00-12-700	NEP51-006B-6	T03
	Gasoline	MD12S	F6A	2000/12 ~ 2002/02	1A00-12-700	NEP51-006B-6	T03

BONGO/ボンゴ

1800cc	Gasoline	SE88M	F8	1987/09 ~ 1999/05	FE1H-12-700A			
	Gasoline	SE88T	F8	1995/08 ~ 1999/05	FE1H-12-700A			
	Gasoline	SK82L	F8E	1999/05 ~ 2004/08	FE1H-12-700A			
	Gasoline	SK82M	F8E	1999/05 ~ 2004/08	FE1H-12-700A			
	Gasoline	SK82T	F8E	1999/05 ~ 2004/08	FE1H-12-700A			
	Gasoline	SK82V	F8E	1999/05 ~ 2004/08	FE1H-12-700A			
	Gasoline	SS88H	F8	1996/09 ~ 1999/05	FE1H-12-700A			
	Gasoline	SS88M	F8	1987/09 ~ 1999/05	FE1H-12-700A			
	Gasoline	SS88V	F8	1995/08 ~ 1996/09	FE1H-12-700A			
	2000cc	Diesel	SEF8T	RF	1984/04 ~ 1993/09	RF01-12-700B (RF01-12-700A)	JPU58-012A-3	T04
		Diesel	SSE8R	FE	1986/11 ~ 1995/09	FE1H-12-700A		
		Diesel	SSE8W	FE	1986/11 ~ 1995/09	FE1H-12-700A		
		Diesel	SSF8R	RF	1989/01 ~ 1999/05	RF01-12-700B (RF01-12-700A)	JPU58-012A-3	T04
		Diesel	SSF8V	RF	1983/09 ~ 1995/09	RF01-12-700B (RF01-12-700A)	JPU58-012A-3	T04
Diesel		SSF8W	RF	1983/09 ~ 1999/05	RF01-12-700B (RF01-12-700A)	JPU58-012A-3	T04	
Diesel		SKF2V	RF	2003/12 ~ 2004/08	RF5C-12-700			
Diesel		SKF2M	RF	2003/12 ~ 2004/08	RF5C-12-700			
Diesel		SKF2T	RF	2003/12 ~ 2004/08	RF5C-12-700			
Diesel		SKF2L	RF	2003/12 ~ 2004/08	RF5C-12-700			
2200cc	Diesel	SE28M	R2	1987/09 ~ 1996/08	R201-12-700A (R201-12-700B)	JPU58-015A-3	T05	
	Diesel	SE28M	R2	1996/09 ~ 1999/05	RF01-12-700B (RF01-12-700A)	JPU58-012A-3	T04	

必ず、現品と添付イラストにて確認をお願いします。Please check the actual item and an attachment illustration.

DAIHATSU
HONDA
ISUZU
MAZDA
MITSUBISHI
NISSAN
SUBARU
SUZUKI
TOYOTA



テンショナ純正部番 OEM P/N. (互換部番) (Interchangeable OEM P/N.)	NTN品番 NTN P/N.	図番 Illustrations	アイドラ純正部番 OEM P/N. (互換部番) (Interchangeable OEM P/N.)	NTN品番 NTN P/N.	図番 Illustrations	アイドラ純正部番 OEM P/N. (互換部番) (Interchangeable OEM P/N.)	NTN品番 NTN P/N.	図番 Illustrations
---------------------------------------------------------------	-------------------	---------------------	--------------------------------------------------------------	-------------------	---------------------	--------------------------------------------------------------	-------------------	---------------------

DAIHATSU
 HONDA
 ISUZU
 MAZDA
 MITSUBISHI
 NISSAN
 SUBARU
 SUZUKI
 TOYOTA

.....B660-12-730C**NEP52-015B-2** ...I01

.....KL01-12-730AKL01-12-740

.....FE1H-12-730A

.....FE1H-12-730A

.....FE1H-12-730A

.....FE1H-12-730A

.....FE1H-12-730A

.....FE1H-12-730A

.....FE1H-12-730A

.....FE1H-12-730A

.....FE1H-12-730A

.....FE1H-12-730A

.....FE1H-12-730A

RF2A-12-770BRF5C-12-730

RF2A-12-770BRF5C-12-730

RF2A-12-770BRF5C-12-730

RF2A-12-770BRF5C-12-730



TENSIONER 1



排気量 Displacement	燃料 Fuel	車両型式 Model	エンジン型式 Engine Type	年式 Model Year	テンショナ純正部番 OEM P/N. (互換部番) (Interchangeable OEM P/N.)	NTN品番 NTN P/N.	図番 Illustrations
---------------------	------------	---------------	-----------------------	------------------	---------------------------------------------------------------	-------------------	---------------------

BONGO/ボンゴ

2200cc	Diesel	SE28T	R2	1993/09 ~ 1996/08	R201-12-700A (R201-12-700B)	JPU58-015A-3	T05
	Diesel	SE28T	R2	1996/09 ~ 1999/05	RF01-12-700B (RF01-12-700A)	JPU58-012A-3	T04
	Diesel	SK22L	R2	1999/05 ~ 2003/11	RF01-12-700B (RF01-12-700A)	JPU58-012A-3	T04
	Diesel	SK22M	R2	1999/05 ~ 2003/11	RF01-12-700B (RF01-12-700A)	JPU58-012A-3	T04
	Diesel	SK22T	R2	1999/05 ~ 2003/11	RF01-12-700B (RF01-12-700A)	JPU58-012A-3	T04
	Diesel	SK22V	R2	1999/05 ~ 2003/11	RF01-12-700B (RF01-12-700A)	JPU58-012A-3	T04
	Diesel	SS28H	R2	1996/09 ~ 1999/05	RF01-12-700B (RF01-12-700A)	JPU58-012A-3	T04
	Diesel	SS28M	R2	1986/11 ~ 1996/08	R201-12-700A (R201-12-700B)	JPU58-015A-3	T05
	Diesel	SS28M	R2	1996/09 ~ 1999/05	RF01-12-700B (RF01-12-700A)	JPU58-012A-3	T04
	Diesel	SS28R	R2	1986/11 ~ 1990/02	R201-12-700A (R201-12-700B)	JPU58-015A-3	T05
	Diesel	SS28V	R2	1993/08 ~ 1996/08	R201-12-700A (R201-12-700B)	JPU58-015A-3	T05
	Diesel	SS28V	R2	1996/09 ~ 1999/05	RF01-12-700B (RF01-12-700A)	JPU58-012A-3	T04

BONGO BRAUNY/ボンゴブローニイ

1800cc	Gasoline	SD89T	F8	1987/09 ~ 1999/06	FE1H-12-700A		
	Gasoline	SR89V	F8	1987/09 ~ 1993/08	FE1H-12-700A		
2000cc	Diesel	SDEAT	FE	1987/09 ~ 1999/06	FE1H-12-700A		
	Diesel	SKE4T	FEE	1999/06 ~ 2000/10	FE1H-12-700A		
	Diesel	SKE6T	FEE	1999/06 ~ 2000/10	FE1H-12-700A		
	Diesel	SKE6V	FEE	1999/06 ~ 2004/08	FE1H-12-700A		
	Diesel	SRE9V	FE	1987/09 ~ 1997/05	FE1H-12-700A		
	Diesel	SRE9W	FE	1987/09 ~ 1995/09	FE1H-12-700A		
	Diesel	SRF9W	RF	1987/09 ~ 1995/09	RF01-12-700B (RF01-12-700A)	JPU58-012A-3	T04
2200cc	Diesel	SD29M	R2	1987/09 ~ 1997/03	R201-12-700A (R201-12-700B)	JPU58-015A-3	T05
	Diesel	SD29M	R2	1997/04 ~ 1999/06	RF01-12-700B (RF01-12-700A)	JPU58-012A-3	T04
	Diesel	SD29T	R2	1983/12 ~ 1997/03	R201-12-700A (R201-12-700B)	JPU58-015A-3	T05
	Diesel	SD29T	R2	1997/04 ~ 1999/06	RF01-12-700B (RF01-12-700A)	JPU58-012A-3	T04
	Diesel	SD2AM	R2	1990/08 ~ 1997/03	R201-12-700A (R201-12-700B)	JPU58-015A-3	T05
	Diesel	SD2AM	R2	1997/04 ~ 1999/06	RF01-12-700B (RF01-12-700A)	JPU58-012A-3	T04

必ず、現品と添付イラストにて確認をお願いします。Please check the actual item and an attachment illustration.



TENSIONER 1



排気量 Displacement	燃料 Fuel	車両型式 Model	エンジン型式 Engine Type	年式 Model Year	テンショナ純正部番 OEM P/N. (互換部番) (Interchangeable OEM P/N.)	NTN品番 NTN P/N.	図番 Illustrations
---------------------	------------	---------------	-----------------------	------------------	---------------------------------------------------------------	-------------------	---------------------

BONGO BRAUNY/ボンゴブローニ

2200cc	Diesel	SD2AT	R2	1983/12 ~ 1997/03	R201-12-700A (R201-12-700B)	JPU58-015A-3	T05
	Diesel	SD2AT	R2	1997/04 ~ 1999/06	RF01-12-700B (RF01-12-700A)	JPU58-012A-3	T04
	Diesel	SK24L	R2	1999/06 ~ 2000/10	RF01-12-700B (RF01-12-700A)	JPU58-012A-3	T04
	Diesel	SK24T	R2	1999/06 ~ 2000/10	RF01-12-700B (RF01-12-700A)	JPU58-012A-3	T04
	Diesel	SK26L	R2	1999/06 ~ 2000/10	RF01-12-700B (RF01-12-700A)	JPU58-012A-3	T04
	Diesel	SK26T	R2	1999/06 ~ 2000/10	RF01-12-700B (RF01-12-700A)	JPU58-012A-3	T04
	Diesel	SR29V	R2	1983/05 ~ 1997/05	R201-12-700A (R201-12-700B)	JPU58-015A-3	T05
	Diesel	SR2AM	R2	1987/09 ~ 1997/05	R201-12-700A (R201-12-700B)	JPU58-015A-3	T05
	Diesel	SR2AV	R2	1983/05 ~ 1997/05	R201-12-700A (R201-12-700B)	JPU58-015A-3	T05
	Diesel	SREAV	FE	1987/09 ~ 1999/06	FE1H-12-700A		
2500cc	Diesel	SD59M	WL	1997/04 ~ 1999/06	WL01-12-700	JPU58-54+JF545	T06
	Diesel	SD59T	WL	1997/04 ~ 1999/06	WL01-12-700	JPU58-54+JF545	T06
	Diesel	SD5AM	WL	1997/04 ~ 1999/06	WL01-12-700	JPU58-54+JF545	T06
	Diesel	SD5AT	WL	1997/04 ~ 1999/06	WL01-12-700	JPU58-54+JF545	T06
	Diesel	SK54L	WL	1999/06 ~ 2000/10	WL01-12-700	JPU58-54+JF545	T06
	Diesel	SK54T	WL	1999/06 ~ 2000/10	WL01-12-700	JPU58-54+JF545	T06
	Diesel	SK54V	WL	1999/06 ~ 2003/11	WL01-12-700	JPU58-54+JF545	T06
	Diesel	SK56L	WL	1999/06 ~ 2000/10	WL01-12-700	JPU58-54+JF545	T06
	Diesel	SK56M	WL	1999/06 ~ 2003/11	WL01-12-700	JPU58-54+JF545	T06
	Diesel	SK56T	WL	1999/06 ~ 2000/10	WL01-12-700	JPU58-54+JF545	T06
	Diesel	SK56V	WL	1999/06 ~ 2003/11	WL01-12-700	JPU58-54+JF545	T06
	Diesel	SK5HM	WL	1999/06 ~ 2003/11	WL01-12-700	JPU58-54+JF545	T06
	Diesel	SK5HV	WL	1999/06 ~ 2003/11	WL01-12-700	JPU58-54+JF545	T06
	Diesel	SR59V	WL	1997/04 ~ 1999/06	WL01-12-700	JPU58-54+JF545	T06
	Diesel	SR5AM	WL	1997/04 ~ 1999/06	WL01-12-700	JPU58-54+JF545	T06
Diesel	SR5AV	WL	1997/04 ~ 1999/06	WL01-12-700	JPU58-54+JF545	T06	

CAPELLA/カペラ

1600cc	Gasoline	GD6P	B6	1987/07 ~ 1991/10	B631-12-700C (B630-12-700E)	NEP52-014B-2	T07
	Gasoline	GV6V	B6	1988/01 ~ 1994/04	B631-12-700C (B630-12-700E)	NEP52-014B-2	T07
1800cc	Gasoline	CG2PP	FP	1994/07 ~ 1997/06	FP01-12-700A (FP05-12-700A)		
	Gasoline	GD8A	F8	1988/02 ~ 1989/03	FE1H-12-700A		
	Gasoline	GD8A	F8	1989/04 ~ 1991/10	FE1H-12-700A		
	Gasoline	GD8B	F8	1988/02 ~ 1989/03	FE1H-12-700A		

必ず、現品と添付イラストにて確認をお願いします。Please check the actual item and an attachment illustration.

DAIHATSU
HONDA
ISUZU
MAZDA
MITSUBISHI
NISSAN
SUBARU
SUZUKI
TOYOTA



TENSIONER 1



排気量 Displacement	燃料 Fuel	車両型式 Model	エンジン型式 Engine Type	年式 Model Year	テンショナ純正部番 OEM P/N. (互換部番) (Interchangeable OEM P/N.)	NTN品番 NTN P/N.	図番 Illustrations
---------------------	------------	---------------	-----------------------	------------------	---------------------------------------------------------------	-------------------	---------------------

CAPELLA/カペラ

1800cc	Gasoline	GD8B	F8	1989/04 ~ 1991/10	FE1H-12-700A		
	Gasoline	GD8J	F8	1987/07 ~ 1992/01	FE1H-12-700A		
	Gasoline	GD8P	F8	1987/05 ~ 1991/10	FE1H-12-700A		
	Gasoline	GD8P-EGI	F8	1989/04 ~ 1991/10	FE1H-12-700A		
	Gasoline	GD8R	F8	1989/04 ~ 1991/10	FE1H-12-700A		
	Gasoline	GD8S	F8	1987/05 ~ 1989/03	FE1H-12-700A		
	Gasoline	GD8S	F8	1989/04 ~ 1991/10	FE1H-12-700A		
	Gasoline	GF8P	FPDE	1997/08 ~ 2001/03	FP01-12-700A (FP05-12-700A)		
2000cc	Gasoline	CG2SP	FS	1994/07 ~ 1997/06	FS01-12-700B (FS05-12-700B)		
	Gasoline	CG2SR	FS	1994/07 ~ 1997/06	FS01-12-700B (FS05-12-700B)		
	Diesel	GDEA	FE	1987/05 ~ 1991/10	FE1H-12-700A		
	Diesel	GDEB	FE	1988/02 ~ 1991/10	FE1H-12-700A		
	Diesel	GDEP	FE	1987/05 ~ 1991/10	FE1H-12-700A		
	Diesel	GDER	FE	1987/07 ~ 1991/10	FE1H-12-700A		
	Diesel	GDES	FE	1987/05 ~ 1991/10	FE1H-12-700A		
	Diesel	GDFJ	RF	1987/07 ~ 1992/10	RF71-12-700C	JPU58-46+JF408	T08
	Diesel	GDFJ 201221-201322	RF	1989/05 ~ 1992/10	RFC6-12-700	JPU58-54+JF408	T09
	Diesel	GDFP	RF	1987/07 ~ 1991/10	RF71-12-700C	JPU58-46+JF408	T08
	Diesel	GDFP 205423-207150	RF	1989/04 ~ 1991/10	RFC6-12-700	JPU58-54+JF408	T09
	Gasoline	GFEP	FS,FSZE	1997/06 ~ 2002/03	FS01-12-700B (FS05-12-700B)		
	Gasoline	GFER	FS,FSDE	1997/06 ~ 2002/03	FS01-12-700B (FS05-12-700B)		
	Diesel	GFFP	RF	1998/06 ~ 1999/10	RF2A-12-700	JPU58-009B-2	T10
	Diesel	GVFV	RF	1988/01 ~ 1992/07	RF71-12-700C	JPU58-46+JF408	T08
	Diesel	GVFV	RF	1992/08 ~ 1999/04	RFC6-12-700	JPU58-54+JF408	T09
Diesel	GVFV 201698-202402	RF	1988/01 ~ 1992/07	RFC6-12-700	JPU58-54+JF408	T09	

CAPELLA WAGON/カペラワゴン

1800cc	Gasoline	GV8W	F8	1988/01 ~ 1992/07	FE1H-12-700A		
	Gasoline	GV8W	F8	1992/08 ~ 1997/10	FE1H-12-700A		
	Gasoline	GW8W	FP,FPDE	1997/10 ~ 2002/05	FP01-12-700A (FP05-12-700A)		
2000cc	Diesel	GVER	FE	1990/08 ~ 1997/10	FE1H-12-700A		
	Diesel	GVEW	FE	1996/06 ~ 1997/10	FE1H-12-700A		
	Diesel	GVFR	RF	1992/08 ~ 1997/10	RFC6-12-700	JPU58-54+JF408	T09
	Diesel	GVFV	RF	1989/05 ~ 1992/07	RF71-12-700C	JPU58-46+JF408	T08
	Diesel	GVFV	RF	1992/08 ~ 1997/10	RFC6-12-700	JPU58-54+JF408	T09
	Diesel	GVFV 105568-108806	RF	1989/05 ~ 1992/07	RFC6-12-700	JPU58-54+JF408	T09
	Gasoline	GWER	FSZE	1997/10 ~ 2002/05	FS01-12-700B (FS05-12-700B)		

必ず、現品と添付イラストにて確認をお願いします。Please check the actual item and an attachment illustration.



TENSIONER 2			IDLER 1			IDLER 2		
テンショナ純正部番 OEM P/N. (互換部番) (Interchangeable OEM P/N.)	NTN品番 NTN P/N.	図番 Illustrations	アイドラ純正部番 OEM P/N. (互換部番) (Interchangeable OEM P/N.)	NTN品番 NTN P/N.	図番 Illustrations	アイドラ純正部番 OEM P/N. (互換部番) (Interchangeable OEM P/N.)	NTN品番 NTN P/N.	図番 Illustrations

.....FE3N-12-730

.....FE1H-12-730A

.....FE1H-12-730A

.....FE3N-12-730

.....FE3N-12-730

.....FE1H-12-730A

.....FE3N-12-730

.....FS01-12-730A **NEP52-016B-2** ...I02

.....FS01-12-730A **NEP52-016B-2** ...I02

.....FS01-12-730A **NEP52-016B-2** ...I02

.....FE3N-12-730

.....FE3N-12-730

.....FE3N-12-730

.....FE3N-12-730

.....FE3N-12-730

.....RF71-12-730A **JPU58-45** I01

.....RF71-12-730A **JPU58-45** I01

.....RF71-12-730A **JPU58-45** I03

.....RF71-12-730A **JPU58-45** I03

.....FS01-12-730A **NEP52-016B-2** ...I02

.....FS01-12-730A **NEP52-016B-2** ...I02

.....RF2A-12-730 **JPU58-008B-3** ...I04

.....RF71-12-730A **JPU58-45** I03

.....RF71-12-730A **JPU58-45** I03

.....RF71-12-730A **JPU58-45** I03

.....FE1H-12-730A

.....FE3N-12-730

.....FS01-12-730A **NEP52-016B-2** ...I02

.....FE3N-12-730

.....FE3N-12-730

.....RF71-12-730A **JPU58-45** I03

.....RF71-12-730A **JPU58-45** I03

.....RF71-12-730A **JPU58-45** I03

.....RF71-12-730A **JPU58-45** I03

.....FS01-12-730A **NEP52-016B-2** ...I03

DAIHATSU
HONDA
ISUZU
MAZDA
MITSUBISHI
NISSAN
SUBARU
SUZUKI
TOYOTA



TENSIONER 1



排気量 Displacement	燃料 Fuel	車両型式 Model	エンジン型式 Engine Type	年式 Model Year	テンショナ純正部番 OEM P/N. (互換部番) (Interchangeable OEM P/N.)	NTN品番 NTN P/N.	図番 Illustrations
---------------------	------------	---------------	-----------------------	------------------	---------------------------------------------------------------	-------------------	---------------------

CAPELLA WAGON/カペラワゴン

2000cc	GasolineGWEWFS,FSZE1997/10 ~2002/05FS01-12-700B (FS05-12-700B)		
	DieselGFWFRF1998/07 ~1999/10RF2A-12-700 JPU58-009B-2T10
2500cc	GasolineGW5RKL1997/10 ~2002/05KL02-12-750		

CAROL/キャロル

550cc	GasolineAA5PAF5B1989/10 ~1990/02AY01-12-700B JPU42-004A-3T01
	GasolineAA5RAF5B1989/10 ~1990/02AY01-12-700B JPU42-004A-3T01
660cc	GasolineAA6PAF6A1990/02 ~1995/10AY01-12-700B JPU42-004A-3T01
	GasolineAA6PA-TOUBOF6A1990/02 ~1995/101A60-12-700C JPU42-002A-3T02
	GasolineAA6RAF6A1990/02 ~1995/10AY01-12-700B JPU42-004A-3T01
	GasolineAC6PF6A1995/10 ~1998/09AY01-12-700B JPU42-004A-3T01
	GasolineAC6P-TURBOF6A1995/10 ~1998/091A60-12-700C JPU42-002A-3T02
	GasolineAC6RF6A1995/10 ~1998/09AY01-12-700B JPU42-004A-3T01
	GasolineHB12SF6A1998/10 ~2000/111A00-12-700 NEP51-006B-6T03

CENTIA/センティア

2500cc	GasolineHD5PJ51993/11 ~1996/01JE26-12-750		
	GasolineHD5SJ51991/03 ~1996/01JE26-12-750		
3000cc	GasolineHDEPJE1991/03 ~1996/01JE26-12-750		
	GasolineHDESJE1991/03 ~1996/01JE26-12-750		
	GasolineHEEAJE1995/10 ~1997/10JE15-12-750A (JE15-12-750)		
	GasolineHEEA DOHCJE1997/09 ~2000/09JE26-12-750		
	GasolineHEEA SOHCJE1997/09 ~2000/09JE15-12-750A (JE15-12-750)		
	GasolineHEEPJE1995/10 ~1997/10JE15-12-750A (JE15-12-750)		
	GasolineHEEP DOHCJE1997/09 ~2000/09JE26-12-750		
	GasolineHEEP SOHCJE1997/09 ~2000/09JE15-12-750A (JE15-12-750)		

CLEF/クレフ

2000cc	GasolineGEEPAKF1992/04 ~1994/07KLY2-12-SJ0 (KL02-12-750)		
	GasolineGESRAFS1992/04 ~1994/07FS01-12-700B (FS05-12-700B)		
2500cc	GasolineGE5PAKL1992/04 ~1994/07KLY2-12-SJ0 (KL02-12-750)		

COSMO/コスモ

2000cc	DieselHBEPFE1983/09 ~1990/05F805-12-700A		
	DieselHBESFE1983/09 ~1990/05F805-12-700A		

必ず、現品と添付イラストにて確認を願います。Please check the actual item and an attachment illustration.

DAIHATSU
HONDA
ISUZU
MAZDA
MITSUBISHI
NISSAN
SUBARU
SUZUKI
TOYOTA



テンショナ純正部番 OEM P/N. (互換部番) (Interchangeable OEM P/N.)	NTN品番 NTN P/N.	図番 Illustrations	アイドラ純正部番 OEM P/N. (互換部番) (Interchangeable OEM P/N.)	NTN品番 NTN P/N.	図番 Illustrations	アイドラ純正部番 OEM P/N. (互換部番) (Interchangeable OEM P/N.)	NTN品番 NTN P/N.	図番 Illustrations
---------------------------------------------------------------	-------------------	---------------------	--------------------------------------------------------------	-------------------	---------------------	--------------------------------------------------------------	-------------------	---------------------

.....FS01-12-730A.....**NEP52-016B-2**...I02.....

.....RF2A-12-730.....**JPU58-008B-3**...I04.....

.....KL01-12-730A.....KL01-12-740.....

.....JE48-12-740.....JE48-12-730.....

.....JE48-12-740.....JE48-12-730.....

.....JE48-12-740.....JE48-12-730.....

.....JE48-12-740.....JE48-12-730.....

.....JE15-12-730C.....

.....JE48-12-740.....JE48-12-730.....

.....JE15-12-730C.....

.....JE15-12-730C.....

.....JE48-12-740.....JE48-12-730.....

.....JE15-12-730C.....

.....KL01-12-730A.....KL01-12-740.....

.....FS01-12-730A.....**NEP52-016B-2**...I02.....

.....KL01-12-730A.....KL01-12-740.....

DAIHATSU
HONDA
ISUZU
MAZDA
MITSUBISHI
NISSAN
SUBARU
SUZUKI
TOYOTA



TENSIONER 1



排気量 Displacement	燃料 Fuel	車両型式 Model	エンジン型式 Engine Type	年式 Model Year	テンショナ純正部番 OEM P/N. (互換部番) (Interchangeable OEM P/N.)	NTN品番 NTN P/N.	図番 Illustrations
---------------------	------------	---------------	-----------------------	------------------	---------------------------------------------------------------	-------------------	---------------------

DEMIO/デミオ

1300cc	GasolineDW3WB31996/07 ~2002/07B631-12-700C	... NEP52-014B-2T07
1500cc	GasolineDW5WB51996/07 ~2002/07B631-12-700C	... NEP52-014B-2T07

ETUDE/エチュード

1500cc	GasolineBFSPB51988/02 ~1990/08B631-12-700C (B630-12-700E)	... NEP52-014B-2T07
1600cc	GasolineBFMPB61987/01 ~1990/08B660-12-700F (B660-12-700E)		

EUNOS PRESSO/ユーノスプレッソ

1500cc	GasolineEC5SB51993/09 ~1998/01B660-12-700F (B660-12-700E)		
1800cc	GasolineEC8SK81993/09 ~1998/01KLY2-12-SJ0 (KL02-12-750)		
	GasolineEC8SEK81991/04 ~1993/10KLY2-12-SJ0 (KL02-12-750)		

EUNOS ROADSTER/ユーノスロードスター

1600cc	GasolineNA6CEB61989/06 ~1993/08B660-12-700F (B660-12-700E)		
1800cc	GasolineNA8CBP1993/08 ~1997/11B660-12-700F (B660-12-700E)		

EUNOS100/ユーノス100

1500cc	GasolineBG5PEB51989/10 ~1994/06B660-12-700F (B660-12-700E)		
1800cc	GasolineBG8PEBP1989/10 ~1994/06B660-12-700F (B660-12-700E)		

EUNOS300/ユーノス300

1800cc	GasolineMA8PEF81989/11 ~1992/01FE1H-12-700A		
2000cc	DieselMAEPEFE1989/11 ~1992/01FE1H-12-700A		

EUNOS500/ユーノス500

1800cc	GasolineCA8PK81994/02 ~1996/01KLY2-12-SJ0 (KL02-12-750)		
	GasolineCA8PEK81991/12 ~1994/02KLY2-12-SJ0 (KL02-12-750)		
	GasolineCAPPFPDE1994/02 ~1996/01FP01-12-700A		
2000cc	GasolineCAEPKFDE1991/12 ~1996/01KLY2-12-SJ0 (KL02-12-750)		
	GasolineCAEPEKF1991/12 ~1994/02KLY2-12-SJ0 (KL02-12-750)		

必ず、現品と添付イラストにて確認をお願いします。Please check the actual item and an attachment illustration.

DAIHATSU
HONDA
ISUZU
MAZDA
MITSUBISHI
NISSAN
SUBARU
SUZUKI
TOYOTA



TENSIONER 1



排気量 Displacement	燃料 Fuel	車両型式 Model	エンジン型式 Engine Type	年式 Model Year	テンショナ純正部番 OEM P/N. (互換部番) (Interchangeable OEM P/N.)	NTN品番 NTN P/N.	図番 Illustrations
---------------------	------------	---------------	-----------------------	------------------	---------------------------------------------------------------	-------------------	---------------------

EUNOS800/ユーノス800

2300cc	Gasoline	TA3A	KJ	1993/08 ~ 1997/07	KJ01-12-750		
	Gasoline	TA3P	KJ	1993/08 ~ 1997/07	KJ01-12-750		
	Gasoline	TA3Y	KJ	1993/08 ~ 1996/05	KJ01-12-750		
	Gasoline	TA3Z	KJ	1993/08 ~ 1996/05	KJ01-12-750		
2500cc	Gasoline	TA5A	KL	1993/08 ~ 1997/07	KLY2-12-SJ0 (KL01-12-750)		
	Gasoline	TA5P	KL	1993/08 ~ 1997/07	KLY2-12-SJ0 (KL01-12-750)		
	Gasoline	TA5Y	KL	1993/08 ~ 1996/05	KLY2-12-SJ0 (KL01-12-750)		
	Gasoline	TA5Z	KL	1993/08 ~ 1996/05	KLY2-12-SJ0 (KL01-12-750)		

FAMILIA/ファミリア

1300cc	Gasoline	BFTP	B3	1987/02 ~ 1989/02	B631-12-700C (B630-12-700E)	NEP52-014B-2	T07
	Gasoline	BG3P	B3	1989/02 ~ 1996/01	B631-12-700C	NEP52-014B-2	T07
	Gasoline	BG3S	B3	1989/02 ~ 1996/01	B631-12-700C	NEP52-014B-2	T07
	Gasoline	BHA3P	B3	1996/08 ~ 1998/04	B631-12-700C	NEP52-014B-2	T07
	Gasoline	BHA3S	B3	1996/08 ~ 1999/05	B631-12-700C	NEP52-014B-2	T07
1500cc	Gasoline	BJ3P	B3,B3ME	1998/04 ~ 2002/08	B631-12-700C	NEP52-014B-2	T07
	Gasoline	BFSP	B5	1987/02 ~ 1989/02	B631-12-700C (B630-12-700E)	NEP52-014B-2	T07
	Gasoline	BFSR	B5	1987/01 ~ 1989/02	B631-12-700C (B630-12-700E)	NEP52-014B-2	T07
	Gasoline	BG5S DOHC	B5	1989/02 ~ 1994/04	B660-12-700F (B660-12-700E)		
	Gasoline	BG5S SOHC	B5	1989/02 ~ 1994/04	B631-12-700C (B630-12-700E)	NEP52-014B-2	T07
	Gasoline	BHA5P	B5	1994/05 ~ 1996/10	B660-12-700F (B660-12-700E)		
	Gasoline	BHA5S	B5	1994/05 ~ 1996/10	B660-12-700F (B660-12-700E)		
	Gasoline	BHALP	Z5	1994/03 ~ 1999/05	B660-12-700F (B660-12-700E)		
	Gasoline	BHALS	Z5	1994/05 ~ 1999/05	B660-12-700F (B660-12-700E)		
	Gasoline	BJ5P	ZL,ZLDE,ZLVE	1998/04 ~ 2003/08	B660-12-700F (B660-12-700E)		
	Gasoline	BJ5P教習車	ZLDE	2002/03 ~ 2003/05	B660-12-700F (B660-12-700E)		
1600cc	Gasoline	BF6M	B6	1989/10 ~ 1994/08	B631-12-700C (B630-12-700E)	NEP52-014B-2	T07
	Gasoline	BFMP DOHC	B6	1985/10 ~ 1989/02	B660-12-700F (B660-12-700E)		
	Gasoline	BFMP SOHC	B6	1986/12 ~ 1989/02	B631-12-700C (B630-12-700E)	NEP52-014B-2	T07

必ず、現品と添付イラストにて確認をお願いします。Please check the actual item and an attachment illustration.

DAIHATSU
HONDA
ISUZU
MAZDA
MITSUBISHI
NISSAN
SUBARU
SUZUKI
TOYOTA



TENSIONER 1



排気量 Displacement	燃料 Fuel	車両型式 Model	エンジン型式 Engine Type	年式 Model Year	テンショナ純正部番 OEM P/N. (互換部番) (Interchangeable OEM P/N.)	NTN品番 NTN P/N.	図番 Illustrations
---------------------	------------	---------------	-----------------------	------------------	---------------------------------------------------------------	-------------------	---------------------

FAMILIA/ファミリア

1600cc	Gasoline	BFMR DOHC	B6	1985/10 ~ 1989/02	B660-12-700F (B660-12-700E)		
	Gasoline	BFMR SOHC	B6	1987/01 ~ 1989/02	B631-12-700C (B630-12-700E)	NEP52-014B-2	T07
	Gasoline	BFMS	B6	1987/01 ~ 1989/02	B660-12-700F (B660-12-700E)		
	Gasoline	BG6R	B6	1989/08 ~ 1991/01	B631-12-700C	NEP52-014B-2	T07
	Gasoline	BG6S	B6	1989/02 ~ 1991/01	B660-12-700F (B660-12-700E)		
	Gasoline	BG6Z	B6	1989/08 ~ 1991/01	B631-12-700C	NEP52-014B-2	T07
	Gasoline	BHA6R	B6	1994/09 ~ 1998/05	B660-12-700F (B660-12-700E)		
1700cc	Diesel	BF7P	PN	1985/07 ~ 1989/02	PN11-12-700		
	Diesel	BF7V	PN	1985/11 ~ 1994/08	PN11-12-700		
	Diesel	BG7P	PN	1989/02 ~ 1994/03	PN11-12-700		
	Diesel	BHA7P	4EE1	1994/09 ~ 1995/05	Y701-12-700A (Y701-12-700)	JPU65-32+JF537	T11
	Diesel	BHA7P	4EE1	1995/06 ~ 1998/05	Y701-12-700A (Y701-12-700)	JPU65-32+JF537	T11
	Diesel	BHA7R	4EE1	1994/09 ~ 1995/05	Y701-12-700A (Y701-12-700)	JPU65-32+JF537	T11
	Diesel	BHA7R	4EE1	1995/06 ~ 1998/05	Y701-12-700A (Y701-12-700)	JPU65-32+JF537	T11
1800cc	Gasoline	BG8R	BP	1989/08 ~ 1994/03	B660-12-700F (B660-12-700E)		
	Gasoline	BG8S	BP	1990/11 ~ 1994/04	B660-12-700F (B660-12-700E)		
	Gasoline	BG8Z	BP	1989/08 ~ 1994/04	B660-12-700F (B660-12-700E)		
	Gasoline	BHA8P	BP	1994/05 ~ 1998/04	B660-12-700F (B660-12-700E)		
	Gasoline	BHA8S	BP	1994/05 ~ 1999/05	B660-12-700F (B660-12-700E)		
	Gasoline	BJ8W	FP	1998/06 ~ 2000/10	FP01-12-700A (FP05-12-700A)		
2000cc	Diesel	BJEP	RF	1998/04 ~ 2000/10	RF1G-12-700A	JPU58-002A-7	T12
	Gasoline	BJFP	FSZE	2001/12 ~ 2003/08	FS01-12-700B (FS05-12-700B)		
	Gasoline	BJFW	FSZE	1999/06 ~ 2004/03	FS01-12-700B (FS05-12-700B)		

FAMILIA ASTINA/ファミリアアスティナ

1500cc	Gasoline	BG5P DOHC	B5	1989/02 ~ 1994/04	B660-12-700F (B660-12-700E)		
	Gasoline	BG5P SOHC	B5	1989/02 ~ 1994/04	B631-12-700C (B630-12-700E)	NEP52-014B-2	T07
1600cc	Gasoline	BG6P	B6	1989/02 ~ 1991/01	B660-12-700F (B660-12-700E)		
1800cc	Gasoline	BG8P	BP	1990/03 ~ 1994/04	B660-12-700F (B660-12-700E)		

必ず、現品と添付イラストにて確認をお願いします。Please check the actual item and an attachment illustration.



<p>テンショナ純正部番 OEM P/N. (互換部番) (Interchangeable OEM P/N.)</p>	<p>NTN品番 NTN P/N.</p>	<p>図番 Illustrations</p>	<p>アイドラ純正部番 OEM P/N. (互換部番) (Interchangeable OEM P/N.)</p>	<p>NTN品番 NTN P/N.</p>	<p>図番 Illustrations</p>	<p>アイドラ純正部番 OEM P/N. (互換部番) (Interchangeable OEM P/N.)</p>	<p>NTN品番 NTN P/N.</p>	<p>図番 Illustrations</p>
-------------------------------------------------------------------------	---------------------------	-----------------------------	------------------------------------------------------------------------	---------------------------	-----------------------------	------------------------------------------------------------------------	---------------------------	-----------------------------

			B660-12-730C	NEP52-015B-2	I01			
			B660-12-730C	NEP52-015B-2	I01			
			B660-12-730C	NEP52-015B-2	I01			
			B660-12-730C	NEP52-015B-2	I01			
			B660-12-730C	NEP52-015B-2	I01			
			B660-12-730C	NEP52-015B-2	I01			
			Y701-12-730					
			Y701-12-730A	JPU65-36	I05			
			Y701-12-730					
			Y701-12-730A	JPU65-36	I05			
			B660-12-730C	NEP52-015B-2	I01			
			B660-12-730C	NEP52-015B-2	I01			
			B660-12-730C	NEP52-015B-2	I01			
			B660-12-730C	NEP52-015B-2	I01			
			B660-12-730C	NEP52-015B-2	I01			
			FS01-12-730A	NEP52-016B-2	I02			
			RF1G-12-730	JPU58-001B-3	I06			
			FS01-12-730A	NEP52-016B-2	I02			
			FS01-12-730A	NEP52-016B-2	I02			
			B660-12-730C	NEP52-015B-2	I01			
			B660-12-730C	NEP52-015B-2	I01			
			B660-12-730C	NEP52-015B-2	I01			
			B660-12-730C	NEP52-015B-2	I01			

- DAIHATSU
- HONDA
- ISUZU
- MAZDA
- MITSUBISHI
- NISSAN
- SUBARU
- SUZUKI
- TOYOTA



TENSIONER 1



排気量 Displacement	燃料 Fuel	車両型式 Model	エンジン型式 Engine Type	年式 Model Year	テンショナ純正部番 OEM P/N. (互換部番) (Interchangeable OEM P/N.)	NTN品番 NTN P/N.	図番 Illustrations
---------------------	------------	---------------	-----------------------	------------------	---------------------------------------------------------------	-------------------	---------------------

FAMILIA VAN/ファミリアバン

1700cc	DieselBVSNY10CD171994/08	~1997/051N00-12-701NEP65-027B-1PT14
	DieselBVSY10CD171994/08	~1997/051N00-12-701NEP65-027B-1PT14
2000cc	DieselBVENY10CD201997/05	~1999/041N03-12-701NEP70-025B-1PT15
	DieselBVEY10CD201997/05	~1999/041N03-12-701NEP70-025B-1PT15

FAMILIA WAGO/ファミリアワゴン

1600cc	GasolineBWMRB61987/04	~1994/08B660-12-700F(B660-12-700E)
1700cc	DieselBW7WPN1989/10	~1994/08PN11-12-700
2000cc	DieselBWEY10CD201994/08	~1999/041N03-12-701NEP70-025B-1PT15

FESTIVA/フェスティバ

1100cc	GasolineDA1PFB11985/10	~1993/01B631-12-700CNEP52-014B-2T07
1300cc	GasolineADA242B31989/04	~1994/05B631-12-700CNEP52-014B-2T07
	GasolineD23PFB31992/11	~1997/10B631-12-700CNEP52-014B-2T07
	GasolineDA3PFB31985/10	~1993/01B631-12-700CNEP52-014B-2T07
	GasolineDA3VFB31986/10	~1993/01B631-12-700CNEP52-014B-2T07
	GasolineDAJPFBJ1986/10	~1993/01B660-12-700F(B660-12-700E)
	GasolineD25PFB51992/11	~1997/10B631-12-700CNEP52-014B-2T07

FESTIVA MINI WAGON/フェスティバミニワゴン

1300cc	GasolineDW3WFB31996/07	~2002/06B631-12-700CNEP52-014B-2T07
1500cc	GasolineDW5WFB51996/07	~2002/06B631-12-700CNEP52-014B-2T07

FREDA/フリーダ

2000cc	GasolineSGE3FFE1997/11	~2001/08FE1H-12-700A
	DieselSGEWFFE1995/06	~2001/08FE1H-12-700A
2500cc	GasolineSG5WFJ51995/06	~2001/08JE26-12-750
	DieselSGL3FWL1995/06	~2001/08WL01-12-700JPU58-54+JF545T06
	DieselSGL5FWL1995/06	~2001/08WL01-12-700JPU58-54+JF545T06
	DieselSGLRFWL1995/06	~2001/08WL01-12-700JPU58-54+JF545T06
	DieselSGLWFWL1995/06	~2001/08WL01-12-700JPU58-54+JF545T06

必ず、現品と添付イラストにて確認を願います。Please check the actual item and an attachment illustration.



TENSIONER 1



排気量 Displacement	燃料 Fuel	車両型式 Model	エンジン型式 Engine Type	年式 Model Year	テンショナ純正部番 OEM P/N. (互換部番) (Interchangeable OEM P/N.)	NTN品番 NTN P/N.	図番 Illustrations
---------------------	------------	---------------	-----------------------	------------------	---------------------------------------------------------------	-------------------	---------------------

FRIENDEE/フレンディ

2000cc	Gasoline	SGE3	FEE	1997/11 ~ 2004/08	FE1H-12-700A		
	Gasoline	SGEW	FEE	1995/05 ~ 2004/08	FE1H-12-700A		
2500cc	Gasoline	SG5W	J5DE	1995/05 ~ 2002/08	JE26-12-750		
	Diesel	SGL3	WL,WLT	1995/05 ~ 2004/08	WL01-12-700	JPU58-54+JF545	T06
	Diesel	SGL5	WL,WLT	1995/05 ~ 2004/08	WL01-12-700	JPU58-54+JF545	T06
	Diesel	SGLR	WL,WLT	1995/05 ~ 2004/08	WL01-12-700	JPU58-54+JF545	T06
	Diesel	SGLW	WL,WLT	1995/05 ~ 2004/08	WL01-12-700	JPU58-54+JF545	T06

IXION/イクシオン

1800cc	Gasoline	CP8WF	FP-DE	1999/04 ~ 2003/01	FP01-12-700A (FP05-12-700A)		
--------	----------	-------	-------	-------------------	--------------------------------	--	--

J100/J100

2000cc	Diesel	SDEATF	FE	1987/09 ~ 1997/05	FE1H-12-700A		
	Gasoline	SREAVF	FE	1987/09 ~ 1995/09	FE1H-12-700A		
2200cc	Diesel	SD29MF	R2	1987/09 ~ 1997/05	R201-12-700A (R201-12-700B)	JPU58-015A-3	T05
	Diesel	SD2ATF	R2	1984/01 ~ 1997/05	R201-12-700A (R201-12-700B)	JPU58-015A-3	T05
	Diesel	SR2AMF	R2	1987/09 ~ 1997/05	R201-12-700A (R201-12-700B)	JPU58-015A-3	T05
	Diesel	SR2AVF	R2	1984/01 ~ 1992/12	R201-12-700A (R201-12-700B)	JPU58-015A-3	T05
2500cc	Diesel	SD5ATF	WL	1997/04 ~ 1999/06	WL01-12-700	JPU58-54+JF545	T06
	Diesel	SR5AMF	WL	1997/04 ~ 1999/06	WL01-12-700	JPU58-54+JF545	T06
	Diesel	SR5AVF	WL	1997/04 ~ 1999/06	WL01-12-700	JPU58-54+JF545	T06

J80/J80

1800cc	Gasoline	SE88TF	F8	1995/08 ~ 1999/05	FE1H-12-700A		
	Gasoline	SS88HF	F8	1996/09 ~ 1999/05	FE1H-12-700A		
	Gasoline	SS88MF	F8	1987/09 ~ 1990/06	FE1H-12-700A		
	Gasoline	SS88VF	F8	1995/08 ~ 1996/09	FE1H-12-700A		
2000cc	Diesel	SEF8TF	RF	1983/12 ~ 1993/08	RF01-12-700B (RF01-12-700A)	JPU58-012A-3	T04
	Diesel	SSF8VF	RF	1983/09 ~ 1995/09	RF01-12-700B (RF01-12-700A)	JPU58-012A-3	T04
2200cc	Diesel	SE28MF	R2	1996/09 ~ 1999/05	RF01-12-700B (RF01-12-700A)	JPU58-012A-3	T04
	Diesel	SE28TF	R2	1993/09 ~ 1996/08	R201-12-700A (R201-12-700B)	JPU58-015A-3	T05
	Diesel	SE28TF	R2	1996/09 ~ 1999/05	RF01-12-700B (RF01-12-700A)	JPU58-012A-3	T04
	Diesel	SS28HF	R2	1996/09 ~ 1999/05	RF01-12-700B (RF01-12-700A)	JPU58-012A-3	T04
	Diesel	SS28MF	R2	1986/11 ~ 1996/08	R201-12-700A (R201-12-700B)	JPU58-015A-3	T05

必ず、現品と添付イラストにて確認をお願いします。Please check the actual item and an attachment illustration.

DAIHATSU
HONDA
ISUZU
MAZDA
MITSUBISHI
NISSAN
SUBARU
SUZUKI
TOYOTA



TENSIONER 1



排気量 Displacement	燃料 Fuel	車両型式 Model	エンジン型式 Engine Type	年式 Model Year	テンショナ純正部番 OEM P/N. (互換部番) (Interchangeable OEM P/N.)	NTN品番 NTN P/N.	図番 Illustrations
---------------------	------------	---------------	-----------------------	------------------	---------------------------------------------------------------	-------------------	---------------------

J80/J80

2200cc	Diesel	SS28MF	R2	1996/09 ~ 1999/05	RF01-12-700B (RF01-12-700A)	JPU58-012A-3	T04
	Diesel	SS28VF	R2	1993/08 ~ 1996/08	R201-12-700A (R201-12-700B)	JPU58-015A-3	T05
	Diesel	SS28VF	R2	1996/09 ~ 1999/05	RF01-12-700B (RF01-12-700A)	JPU58-012A-3	T04

KHRONOS/クロノス

1800cc	Gasoline	GE8P	K8	1991/09 ~ 1994/07	KLY2-12-SJ0 (KL02-12-750)		
2000cc	Gasoline	GEEP	KF	1991/09 ~ 1996/04	KLY2-12-SJ0 (KL02-12-750)		
	Gasoline	GEEP	KF	1994/09 ~ 1996/04	FS01-12-700B (FS05-12-700B)		
	Diesel	GEFP	RF	1992/04 ~ 1996/04	RFC6-12-700	JPU58-54+JF408	T09
	Gasoline	GESR	FS	1991/11 ~ 1994/07	FS01-12-700B (FS05-12-700B)		
2500cc	Gasoline	GE5P	KL	1992/04 ~ 1996/04	KLY2-12-SJ0 (KL02-12-750)		
	Gasoline	GE5P	KL	1994/09 ~ 1996/04	FS01-12-700B (FS05-12-700B)		

LANTIS/ランティス

1800cc	Gasoline	CBA8P	BP	1993/08 ~ 1997/06	B660-12-700F (B660-12-700E)		
2000cc	Gasoline	CBAEP	KF	1993/08 ~ 1997/06	KLY2-12-SJ0 (KL02-12-750)		

LAPUTA/ラピュタ

660cc	Gasoline	HP11S	F6A	1999/03 ~ 2001/03	1A00-12-700	NEP51-006B-6	T03
	Gasoline	HP12S	F6A	2001/04 ~ 2002/02	1A00-12-700	NEP51-006B-6	T03

LASER/レーザー

1300cc	Gasoline	BFTPF	B3	1987/03 ~ 1989/02	B631-12-700C (B630-12-700E)	NEP52-014B-2	T07
	Gasoline	BG3PF	B3	1989/03 ~ 1994/03	B631-12-700C (B630-12-700E)	NEP52-014B-2	T07
	Gasoline	BHA3PF	B3	1996/08 ~ 1998/10	B631-12-700C	NEP52-014B-2	T07
1500cc	Gasoline	BFSPF	B5	1987/03 ~ 1989/02	B631-12-700C (B630-12-700E)	NEP52-014B-2	T07
	Gasoline	BFSRF	B5	1987/03 ~ 1989/02	B631-12-700C (B630-12-700E)	NEP52-014B-2	T07
	Gasoline	BG5PF SOHC	B5	1989/03 ~ 1994/03	B631-12-700C (B630-12-700E)	NEP52-014B-2	T07

必ず、現品と添付イラストにて確認をお願いします。Please check the actual item and an attachment illustration.

DAIHATSU
HONDA
ISUZU
MAZDA
MITSUBISHI
NISSAN
SUBARU
SUZUKI
TOYOTA



TENSIONER 1



排気量 Displacement	燃料 Fuel	車両型式 Model	エンジン型式 Engine Type	年式 Model Year	テンショナ純正部番 OEM P/N. (互換部番) (Interchangeable OEM P/N.)	NTN品番 NTN P/N.	図番 Illustrations
---------------------	------------	---------------	-----------------------	------------------	---------------------------------------------------------------	-------------------	---------------------

LASER/レーザー

1500cc	GasolineBG5PF DOHC	...B51989/03 ~1994/03B660-12-700F(B660-12-700E)	
	GasolineBHA5PFB51994/04 ~1996/09B660-12-700F(B660-12-700E)	
	GasolineBHA5SFB51994/04 ~1996/09B660-12-700F(B660-12-700E)	
	GasolineBHALPFZ51994/04 ~1998/10B660-12-700F(B660-12-700E)	
	GasolineBHALSFZ51994/04 ~1998/10B660-12-700F(B660-12-700E)	
1600cc	GasolineBF6MFB61989/10 ~1994/08B631-12-700C NEP52-014B-2T07
	GasolineBFMPF ATB61987/03 ~1989/02B631-12-700C NEP52-014B-2T07
	GasolineBFMPF MTB61985/01 ~1989/02B660-12-700F(B660-12-700E)	
	GasolineBFMRF-EGIB61987/03 ~1989/02B631-12-700C NEP52-014B-2T07
	GasolineBFMRF-TBOB61985/09 ~1989/02B660-12-700F(B660-12-700E)	
	GasolineBFMSFB61987/02 ~1989/02B660-12-700F(B660-12-700E)	
	GasolineBG6PFB61989/03 ~1991/01B660-12-700F(B660-12-700E)	
	GasolineBG6RFB61989/08 ~1994/03B631-12-700C NEP52-014B-2T07
	GasolineBHA6RFB61996/04 ~1998/05B660-12-700F(B660-12-700E)	
1700cc	DieselBF7PFPN1985/07 ~1989/02PN11-12-700		
	DieselBF7VFPN1987/04 ~1994/08PN11-12-700		
	DieselBG7PFPN1989/03 ~1994/03PN11-12-700		
	DieselBHA7PF4EE11994/09 ~1995/08Y701-12-700A JPU65-32+JF537T11
	DieselBHA7PF4EE11995/06 ~1998/05Y701-12-700A JPU65-32+JF537T11
	DieselBHA7RF4EE11994/09 ~1995/08Y701-12-700A JPU65-32+JF537T11
	DieselBHA7RF4EE11995/06 ~1996/09Y701-12-700A JPU65-32+JF537T11
1800cc	GasolineBG8PFBP1990/11 ~1994/01B660-12-700F(B660-12-700E)	
	GasolineBG8RFBP1989/08 ~1994/01B660-12-700F(B660-12-700E)	
	GasolineBHA8PFBP1994/04 ~1998/10B660-12-700F(B660-12-700E)	
	GasolineBHA8SFBP1994/04 ~1995/08B660-12-700F(B660-12-700E)	

必ず、現品と添付イラストにて確認を願います。Please check the actual item and an attachment illustration.



テンショナ純正部番 OEM P/N. (互換部番) (Interchangeable OEM P/N.)	NTN品番 NTN P/N.	図番 Illustrations	アイドラ純正部番 OEM P/N. (互換部番) (Interchangeable OEM P/N.)	NTN品番 NTN P/N.	図番 Illustrations	アイドラ純正部番 OEM P/N. (互換部番) (Interchangeable OEM P/N.)	NTN品番 NTN P/N.	図番 Illustrations
---------------------------------------------------------------	-------------------	---------------------	--------------------------------------------------------------	-------------------	---------------------	--------------------------------------------------------------	-------------------	---------------------

.....B660-12-730C.....**NEP52-015B-2** ...I01.....

.....B660-12-730C.....**NEP52-015B-2** ...I01.....

.....B660-12-730C.....**NEP52-015B-2** ...I01.....

.....B660-12-730C.....**NEP52-015B-2** ...I01.....

.....B660-12-730C.....**NEP52-015B-2** ...I01.....

.....B660-12-730C.....**NEP52-015B-2** ...I01.....

.....B660-12-730C.....**NEP52-015B-2** ...I01.....

.....B660-12-730C.....**NEP52-015B-2** ...I01.....

.....B660-12-730C.....**NEP52-015B-2** ...I01.....

.....B660-12-730C.....**NEP52-015B-2** ...I01.....

.....B660-12-730C.....**NEP52-015B-2** ...I01.....

.....B660-12-730C.....**NEP52-015B-2** ...I01.....

.....Y701-12-730.....

.....Y701-12-730A.....**JPU65-36**I05.....

.....Y701-12-730.....

.....Y701-12-730A.....**JPU65-36**I05.....

.....B660-12-730C.....**NEP52-015B-2** ...I01.....

.....B660-12-730C.....**NEP52-015B-2** ...I01.....

.....B660-12-730C.....**NEP52-015B-2** ...I01.....

.....B660-12-730C.....**NEP52-015B-2** ...I01.....

DAIHATSU
 HONDA
 ISUZU
 MAZDA
 MITSUBISHI
 NISSAN
 SUBARU
 SUZUKI
 TOYOTA



TENSIONER 1



排気量 Displacement	燃料 Fuel	車両型式 Model	エンジン型式 Engine Type	年式 Model Year	テンショナ純正部番 OEM P/N. (互換部番) (Interchangeable OEM P/N.)	NTN品番 NTN P/N.	図番 Illustrations
---------------------	------------	---------------	-----------------------	------------------	---------------------------------------------------------------	-------------------	---------------------

LASER LIDEA/レーザーリデア

1300cc	Gasoline	BJ3PF	B3	1998/12 ~ 2000/12	B631-12-700C	NEP52-014B-2	T07
1500cc	Gasoline	BJ5PF	ZL	1998/12 ~ 2000/12	B660-12-700F (B660-12-700E)		
	Gasoline	BJ5WF	ZL	1998/12 ~ 2000/12	B660-12-700F (B660-12-700E)		
1800cc	Gasoline	BJ8WF	FPDE	1998/12 ~ 2000/12	FP01-12-700A (FP05-12-700A)		
2000cc	Diesel	BJEFP	RF	1998/12 ~ 2000/12	RF1G-12-700A	JPU58-002A-7	T12

LUCE/ルーチェ

2000cc	Diesel	HCEP	FE	1986/07 ~ 1992/03	FE1H-12-700A		
	LPG	HCEP	FE	1986/07 ~ 1988/08	FE1H-12-700A		
	Gasoline	HCFS	JF	1986/07 ~ 1988/07	JE15-12-750A (JF01-12-750F)		
	Gasoline	HCFS	JF	1988/08 ~ 1992/03	JE15-12-750A (JF01-12-750F)		
2200cc	Gasoline	HC2J	F2	1992/03 ~ 1995/12	FE1H-12-700A		
3000cc	Gasoline	HCSS	JE	1986/07 ~ 1988/07	JE15-12-750A (JF01-12-750F)		
	Gasoline	HCSS	JE	1988/08 ~ 1992/03	JE26-12-750		

MILLENIA/ミレニア

2000cc	Gasoline	TAFP	KF	1998/06 ~ 2002/10	KL02-12-750		
2300cc	Gasoline	TA3A	KJ	1997/07 ~ 2000/06	KJ01-12-750		
	Gasoline	TA3P	KJ	1997/07 ~ 2000/06	KJ01-12-750		
2500cc	Gasoline	TA5A	KL	1997/07 ~ 1998/07	KL02-12-750		
	Gasoline	TA5P	KL	1997/07 ~ 2003/08	KL02-12-750		

MPV/MPV




2000cc	Gasoline	LWEW	FSDE	1999/05 ~ 2002/04	FS01-12-700B (FS05-12-700B)		
2500cc	Diesel	LVLR	WL	1995/10 ~ 1999/05	WL01-12-700	JPU58-54+JF545	T06
	Diesel	LVLW	WL	1995/10 ~ 1999/05	WL01-12-700	JPU58-54+JF545	T06
3000cc	Gasoline	LVEW	JE	1989/11 ~ 1999/05	JE15-12-750A (JE15-12-750)		

MS-6/MS-6

1800cc	Gasoline	GE8P	K8	1991/10 ~ 1994/07	KLY2-12-SJ0 (KL02-12-750)		
2000cc	Gasoline	GE8P	KF	1991/10 ~ 1994/07	KLY2-12-SJ0 (KL02-12-750)		
	Diesel	GEFP	RF	1993/06 ~ 1994/07	RFC6-12-700	JPU58-54+JF408	T09
	Gasoline	GESR	FS	1992/04 ~ 1994/07	FS01-12-700B (FS05-12-700B)		

必ず、現品と添付イラストにて確認をお願いします。Please check the actual item and an attachment illustration.

DAIHATSU
HONDA
ISUZU
MAZDA
MITSUBISHI
NISSAN
SUBARU
SUZUKI
TOYOTA

TENSIONER 2 			IDLER 1 			IDLER 2 		
テンショナ純正部番 OEM P/N. (互換部番) (Interchangeable OEM P/N.)	NTN品番 NTN P/N.	図番 Illustrations	アイドラ純正部番 OEM P/N. (互換部番) (Interchangeable OEM P/N.)	NTN品番 NTN P/N.	図番 Illustrations	アイドラ純正部番 OEM P/N. (互換部番) (Interchangeable OEM P/N.)	NTN品番 NTN P/N.	図番 Illustrations
			B660-12-730C	NEP52-015B-2	I01			
			B660-12-730C	NEP52-015B-2	I01			
			FS01-12-730A	NEP52-016B-2	I02			
			RF1G-12-730	JPU58-001B-3	I06			
			FE1H-12-730A					
			FE1H-12-730A					
			JF01-12-730D					
			JE15-12-730C					
			FE1H-12-730A					
			JF01-12-730D			JF01-12-730D		
			JE26-12-740A			JE26-12-730A		
			KL01-12-730A			KL01-12-740		
			KL01-12-730A			KJ01-12-740		
			KL01-12-730A			KJ01-12-740		
			KL01-12-730A			KL01-12-740		
			KL01-12-730A			KL01-12-740		
			FS01-12-730A	NEP52-016B-2	I02			
			JE15-12-730D					
			KL01-12-730A (KL01-12-730)			KL01-12-740		
			KL01-12-730A (KL01-12-730)			KL01-12-740		
			RF71-12-730A	JPU58-45	I03			
			FS01-12-730A	NEP52-016B-2	I02			

DAIHATSU

HONDA

ISUZU

MAZDA

MITSUBISHI

NISSAN

SUBARU

SUZUKI

TOYOTA



TENSIONER 1



排気量 Displacement	燃料 Fuel	車両型式 Model	エンジン型式 Engine Type	年式 Model Year	テンショナ純正部番 OEM P/N. (互換部番) (Interchangeable OEM P/N.)	NTN品番 NTN P/N.	図番 Illustrations
---------------------	------------	---------------	-----------------------	------------------	---------------------------------------------------------------	-------------------	---------------------

MS-8/MS-8

2000cc	Gasoline	MBEP	KF-ZE	1992/01 ~ 1998/02	KLY2-12-SJ0 (KL02-12-750)		
2500cc	Gasoline	MB5A	KL-ZE	1992/01 ~ 1995/11	KLY2-12-SJ0 (KL02-12-750)		
	Gasoline	MB5P	KL-ZE	1992/01 ~ 1998/02	KLY2-12-SJ0 (KL02-12-750)		

MS-9/MS-9

2500cc	Gasoline	HD5S	J5	1991/09 ~ 1993/12	JE26-12-750		
3000cc	Gasoline	HDES	JE	1991/09 ~ 1993/12	JE26-12-750		

MX-6/MX-6

2000cc	Gasoline	GEEB	KF	1991/11 ~ 1994/05	KLY2-12-SJ0 (KL02-12-750)		
	Gasoline	GEES	KF	1994/05 ~ 1996/01	KLY2-12-SJ0 (KL02-12-750)		
2500cc	Gasoline	GE5B	KL	1991/11 ~ 1996/01	KLY2-12-SJ0 (KL02-12-750)		
	Gasoline	GE5S	KL	1994/05 ~ 1996/01	KLY2-12-SJ0 (KL02-12-750)		

PERSONA/ペルソナ

1800cc	Gasoline	MA8P	F8	1988/10 ~ 1990/01	FE1H-12-700A		
	Gasoline	MA8P	F8	1990/02 ~ 1992/03	FE1H-12-700A		
2000cc	Diesel	MAEP	FE	1988/10 ~ 1992/03	FE1H-12-700A		

PREMACY/プレマシー

1800cc	Gasoline	CP8W	FPDE	1999/02 ~ 2004/08	FP01-12-700A (FP05-12-700A)		
2000cc	Gasoline	CPEW	FSDE	2001/06 ~ 2004/08	FS01-12-700B (FS05-12-700B)		

PROCEED/プロシード

2500cc	Diesel	UVL6R	WL	1996/02 ~ 1999/02	WL01-12-700	JPU58-54+JF545	T06
--------	--------	-------	----	-------------------	-------------	----------------	-----

PROCEED LEVANTE/プロシードレバンテ

2000cc	Diesel	TF31W	RF	1995/01 ~ 1996/09	RF01-12-700B (RF01-12-700A)	JPU58-012A-3	T04
	Diesel	TJ31W	RF	1995/01 ~ 1997/11	RF01-12-700B (RF01-12-700A)	JPU58-012A-3	T04
	Diesel	TJ32W	RF	1998/02 ~ 1999/09	RF01-12-700B (RF01-12-700A)	JPU58-012A-3	T04

必ず、現品と添付イラストにて確認をお願いします。Please check the actual item and an attachment illustration.

DAIHATSU
HONDA
ISUZU
MAZDA
MITSUBISHI
NISSAN
SUBARU
SUZUKI
TOYOTA



テンショナ純正部番 OEM P/N. (互換部番) (Interchangeable OEM P/N.)	NTN品番 NTN P/N.	図番 Illustrations	アイドラ純正部番 OEM P/N. (互換部番) (Interchangeable OEM P/N.)	NTN品番 NTN P/N.	図番 Illustrations	アイドラ純正部番 OEM P/N. (互換部番) (Interchangeable OEM P/N.)	NTN品番 NTN P/N.	図番 Illustrations
---------------------------------------------------------------	-------------------	---------------------	--------------------------------------------------------------	-------------------	---------------------	--------------------------------------------------------------	-------------------	---------------------

.....	KL01-12-730A	KL01-12-740
.....	KL01-12-730A	KL01-12-740
.....	KL01-12-730A	KL01-12-740
.....	JE48-12-730	JE48-12-740
.....	JE48-12-730	JE48-12-740
.....	KL01-12-730A	KL01-12-740
.....	KL01-12-730A	KL01-12-740
.....	KL01-12-730A	KL01-12-740
.....	KL01-12-730A	KL01-12-740
.....	FE1H-12-730A
.....	FE3N-12-730
.....	FE3N-12-730
.....	FS01-12-730A	NEP52-016B-2	I02
.....	FS01-12-730A	NEP52-016B-2	I02
.....
.....
.....
.....

DAIHATSU
 HONDA
 ISUZU
 MAZDA
 MITSUBISHI
 NISSAN
 SUBARU
 SUZUKI
 TOYOTA



TENSIONER 1



排気量 Displacement	燃料 Fuel	車両型式 Model	エンジン型式 Engine Type	年式 Model Year	テンショナ純正部番 OEM P/N. (互換部番) (Interchangeable OEM P/N.)	NTN品番 NTN P/N.	図番 Illustrations
---------------------	------------	---------------	-----------------------	------------------	---------------------------------------------------------------	-------------------	---------------------

REVUE/レビュー

1300cc	Gasoline	DB3PA	B3	1990/08 ~ 1999/02	B631-12-700C (B630-12-700E)	NEP52-014B-2	T07
1500cc	Gasoline	DB5PA	B5	1990/08 ~ 1999/02	B631-12-700C (B630-12-700E)	NEP52-014B-2	T07

ROADSTER/ロードスター

1600cc	Gasoline	NB6C	B6	1997/12 ~ 2004/08	B660-12-700F (B660-12-700E)		
1800cc	Gasoline	NB8C	BP	1997/12 ~ 2004/08	B660-12-700F (B660-12-700E)		

SCRUM/スクラム

550cc	Gasoline	DG41B	F5B	1989/05 ~ 1990/03	AY01-12-700B	JPU42-004A-3	T01
	Gasoline	DG41T	F5B	1989/05 ~ 1990/03	AY01-12-700B	JPU42-004A-3	T01
	Gasoline	DG41V	F5B	1989/05 ~ 1990/03	AY01-12-700B	JPU42-004A-3	T01
	Gasoline	DH41T	F5B	1989/05 ~ 1990/03	AY01-12-700B	JPU42-004A-3	T01
	Gasoline	DH41V	F5B	1989/05 ~ 1990/03	AY01-12-700B	JPU42-004A-3	T01
660cc	Gasoline	DG51B	F6A	1990/02 ~ 1991/09	AY01-12-700B	JPU42-004A-3	T01
	Gasoline	DG51T	F6A	1990/02 ~ 1991/09	AY01-12-700B	JPU42-004A-3	T01
	Gasoline	DG51V	F6A	1990/02 ~ 1991/09	AY01-12-700B	JPU42-004A-3	T01
	Gasoline	DG52T	F6A	1999/01 ~ 2001/09	1A00-12-700	NEP51-006B-6	T03
	Gasoline	DG52V	F6A	1999/01 ~ 2001/11	1A00-12-700	NEP51-006B-6	T03
	Gasoline	DH51T	F6A	1990/02 ~ 1991/09	AY01-12-700B	JPU42-004A-3	T01
	Gasoline	DH51V	F6A	1990/02 ~ 1991/09	AY01-12-700B	JPU42-004A-3	T01
	Gasoline	DH52T	F6A	1999/01 ~ 2001/11	1A00-12-700	NEP51-006B-6	T03
	Gasoline	DH52V	F6A	1999/01 ~ 2001/11	1A00-12-700	NEP51-006B-6	T03
	Gasoline	DJ51B	F6A	1991/09 ~ 1998/10	AY01-12-700B	JPU42-004A-3	T01
	Gasoline	DJ51T	F6A	1991/09 ~ 1998/10	AY01-12-700B	JPU42-004A-3	T01
	Gasoline	DK51B	F6A	1991/09 ~ 1998/10	AY01-12-700B	JPU42-004A-3	T01
	Gasoline	DK51T	F6A	1991/09 ~ 1998/10	AY01-12-700B	JPU42-004A-3	T01
	Gasoline	DL51V	F6A	1991/09 ~ 1998/10	AY01-12-700B	JPU42-004A-3	T01
	Gasoline	DM51V	F6A	1991/09 ~ 1998/10	AY01-12-700B	JPU42-004A-3	T01

SCRUM WAGON/スクラムワゴン

660cc	Gasoline	DG52W	F6A	1999/12 ~ 2001/11	1A00-12-700	NEP51-006B-6	T03
-------	----------	-------	-----	-------------------	-------------	--------------	-----

SPECTRON/スペクトロン

2000cc	Diesel	SS28RF	R2	1986/11 ~ 1990/02	R201-12-700A (R201-12-700B)	JPU58-015A-3	T05
	Diesel	SSE8RF	FE	1986/11 ~ 1993/08	FE1H-12-700A		
	Diesel	SSE8WF	FE	1986/11 ~ 1995/09	FE1H-12-700A		
	Diesel	SSF8RF	RF	1988/12 ~ 1997/10	RF01-12-700B (RF01-12-700A)	JPU58-012A-3	T04
	Diesel	SSF8WF	RF	1983/09 ~ 1997/10	RF01-12-700B (RF01-12-700A)	JPU58-012A-3	T04

必ず、現品と添付イラストにて確認を願います。Please check the actual item and an attachment illustration.

DAIHATSU
HONDA
ISUZU
MAZDA
MITSUBISHI
NISSAN
SUBARU
SUZUKI
TOYOTA



TENSIONER 1



排気量 Displacement	燃料 Fuel	車両型式 Model	エンジン型式 Engine Type	年式 Model Year	テンショナ純正部番 OEM P/N. (互換部番) (Interchangeable OEM P/N.)	NTN品番 NTN P/N.	図番 Illustrations
---------------------	------------	---------------	-----------------------	------------------	---------------------------------------------------------------	-------------------	---------------------

TELSTAR/テルスター

1800cc	Gasoline	GD8AF	F8	1987/04 ~ 1989/03	FE1H-12-700A		
	Gasoline	GD8AF	F8	1989/04 ~ 1991/10	FE1H-12-700A		
	Gasoline	GD8PF	F8	1987/04 ~ 1991/10	FE1H-12-700A		
	Gasoline	GD8PF-EGI	F8	1989/04 ~ 1991/10	FE1H-12-700A		
	Gasoline	GD8RF	F8	1989/04 ~ 1991/10	FE1H-12-700A		
	Gasoline	GE8PF	K8	1991/10 ~ 1994/07	KLY2-12-SJ0 (KL02-12-750)		
	Gasoline	GF8PF	FP	1997/06 ~ 1999/08	FP01-12-700A (FP05-12-700A)		
2000cc	Diesel	GDEAF	FE	1987/04 ~ 1991/10	FE1H-12-700A		
	Diesel	GDEPF	FE	1987/04 ~ 1991/10	FE1H-12-700A		
	Diesel	GDERF	FE	1987/06 ~ 1991/10	FE1H-12-700A		
	Diesel	GDFPF	RF	1987/07 ~ 1989/03	RF71-12-700C	JPU58-46+JF408	T08
	Diesel	GDFPF	RF	1989/04 ~ 1991/10	RFC6-12-700	JPU58-54+JF408	T09
	Gasoline	GEEPF	KF	1991/10 ~ 1996/10	KLY2-12-SJ0 (KL02-12-750)		
	Diesel	GEFPF	RF	1992/04 ~ 1995/10	RFC6-12-700	JPU58-54+JF408	T09
	Gasoline	GESRF	FS	1991/10 ~ 1994/07	FS01-12-700B (FS05-12-700B)		
	Gasoline	GFEPF	FSZE	1997/06 ~ 1999/08	FS01-12-700B (FS05-12-700B)		
	Gasoline	GFERF	FSDE	1997/06 ~ 1999/08	FS01-12-700B (FS05-12-700B)		
Diesel	GFFPF	RF	1998/06 ~ 1999/08	RF2A-12-700	JPU58-009B-2	T10	
2500cc	Gasoline	GE5PF	KL	1992/04 ~ 1996/01	KLY2-12-SJ0 (KL02-12-750)		

TELSTAR WAGON/テルスターワゴン

1800cc	Gasoline	GV8WF	F8	1992/08 ~ 1997/10	FE1H-12-700A		
	Gasoline	GW8WF	FP	1997/10 ~ 1999/08	FP01-12-700A (FP05-12-700A)		
2000cc	Diesel	GVERF	FE	1990/08 ~ 1997/10	FE1H-12-700A		
	Diesel	GVEWF	FE	1996/06 ~ 1997/10	FE1H-12-700A		
	Diesel	GVFRF	RF	1992/08 ~ 1997/10	RFC6-12-700	JPU58-54+JF408	T09
	Diesel	GVFWF	RF	1990/08 ~ 1992/07	RF71-12-700C	JPU58-46+JF408	T08
	Diesel	GVFWF	RF	1992/08 ~ 1997/10	RFC6-12-700	JPU58-54+JF408	T09
	Gasoline	GWERF	FS	1997/10 ~ 1999/08	FS01-12-700B (FS05-12-700B)		
	Gasoline	GWEWF	FS	1997/10 ~ 1999/08	FS01-12-700B (FS05-12-700B)		
Diesel	GWFWF	RF	1998/07 ~ 1999/08	RF2A-12-700	JPU58-009B-2	T10	
2500cc	Gasoline	GW5RF	KL	1997/10 ~ 1999/08	KL02-12-750		

必ず、現品と添付イラストにて確認をお願いします。Please check the actual item and an attachment illustration.



テンショナ純正部番 OEM P/N. (互換部番) (Interchangeable OEM P/N.)	NTN品番 NTN P/N.	図番 Illustrations	アイドラ純正部番 OEM P/N. (互換部番) (Interchangeable OEM P/N.)	NTN品番 NTN P/N.	図番 Illustrations	アイドラ純正部番 OEM P/N. (互換部番) (Interchangeable OEM P/N.)	NTN品番 NTN P/N.	図番 Illustrations
---------------------------------------------------------------	-------------------	---------------------	--------------------------------------------------------------	-------------------	---------------------	--------------------------------------------------------------	-------------------	---------------------

.....			FE1H-12-730A				
.....			FE3N-12-730				
.....			FE1H-12-730A				
.....			FE3N-12-730				
.....			FE3N-12-730				
.....			KL01-12-730A (KL01-12-730)			KL01-12-740		
.....			FS01-12-730A	NEP52-016B-2	I02		
.....			FE3N-12-730				
.....			FE3N-12-730				
.....			FE3N-12-730				
.....			RF71-12-730A	JPU58-45	I03		
.....			RF71-12-730A	JPU58-45	I03		
.....			KL01-12-730A (KL01-12-730)			KL01-12-740		
.....			RF71-12-730A	JPU58-45	I03		
.....			FS01-12-730A	NEP52-016B-2	I02		
.....			FS01-12-730A	NEP52-016B-2	I02		
.....			FS01-12-730A	NEP52-016B-2	I02		
.....			RF2A-12-730	JPU58-008B-3	I04		
.....			KL01-12-730A			KL01-12-740		
.....			FE3N-12-730				
.....			FS01-12-730A	NEP52-016B-2	I02		
.....			FE3N-12-730				
.....			FE3N-12-730				
.....			RF71-12-730A	JPU58-45	I03		
.....			RF71-12-730A	JPU58-45	I03		
.....			RF71-12-730A	JPU58-45	I03		
.....			FS01-12-730A	NEP52-016B-2	I02		
.....			FS01-12-730A	NEP52-016B-2	I02		
.....			RF2A-12-730	JPU58-008B-3	I04		
.....			KL01-12-730A			KL01-12-740		

DAIHATSU
 HONDA
 ISUZU
 MAZDA
 MITSUBISHI
 NISSAN
 SUBARU
 SUZUKI
 TOYOTA

DAIHATSU
HONDA
ISUZU
MAZDA
MITSUBISHI
NISSAN
SUBARU
SUZUKI
TOYOTA

						TENSIONER 1 	
排気量 Displacement	燃料 Fuel	車両型式 Model	エンジン型式 Engine Type	年式 Model Year	テンショナ純正部番 OEM P/N. (互換部番) (Interchangeable OEM P/N.)	NTN品番 NTN P/N.	図番 Illustrations

TELSTAR II / テルスター II

1800cc	Gasoline	CG2PPF	FP	1994/07 ~ 1997/06	FP01-12-700A (FP05-12-700A)		
2000cc	Gasoline	CG2SPF	FS	1994/07 ~ 1997/06	FS01-12-700B (FS05-12-700B)		
	Gasoline	CG2SRF	FS	1994/07 ~ 1997/06	FS01-12-700B (FS05-12-700B)		

TITAN / タイタン

2000cc	Diesel	SYE4T	FEE	2000/10 ~ 2004/05	FE1H-12-700A		
	Diesel	SYE6T	FEE	2000/10 ~ 2004/05	FE1H-12-700A		
2500cc	Diesel	SY54L	WL	2000/10 ~ 2004/05	WL01-12-700	JPU58-54+JF545	T06
	Diesel	SY54T	WL	2000/10 ~ 2004/05	WL01-12-700	JPU58-54+JF545	T06
	Diesel	SY56L	WL	2000/10 ~ 2004/05	WL01-12-700	JPU58-54+JF545	T06
	Diesel	SY56T	WL	2000/10 ~ 2004/05	WL01-12-700	JPU58-54+JF545	T06

TRIBUTE / トリビュート

2000cc	Gasoline	EPEW	YF	2000/11 ~ 2003/11	YF09-12-700		
--------	----------	------	----	-------------------	-------------	--	--

必ず、現品と添付イラストにて確認をお願いします。Please check the actual item and an attachment illustration.

TENSIONER 2 			IDLER 1 			IDLER 2 		
テンショナ純正部番 OEM P/N. (互換部番) (Interchangeable OEM P/N.)	NTN品番 NTN P/N.	図番 Illustrations	アイドラ純正部番 OEM P/N. (互換部番) (Interchangeable OEM P/N.)	NTN品番 NTN P/N.	図番 Illustrations	アイドラ純正部番 OEM P/N. (互換部番) (Interchangeable OEM P/N.)	NTN品番 NTN P/N.	図番 Illustrations

.....FS01-12-730A**NEP52-016B-2** ...I02

.....FS01-12-730A**NEP52-016B-2** ...I02

.....FS01-12-730A**NEP52-016B-2** ...I02

.....FE1H-12-730A

.....FE1H-12-730A

.....YF09-12-730

DAIHATSU

HONDA

ISUZU

MAZDA

MITSUBISHI

NISSAN

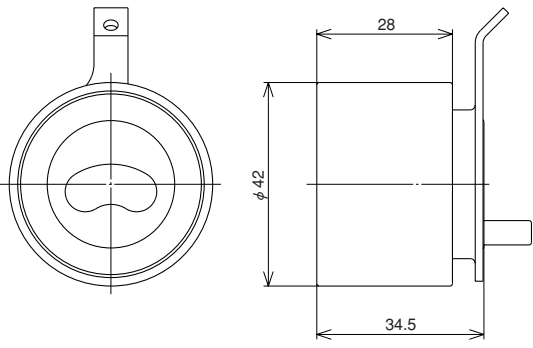
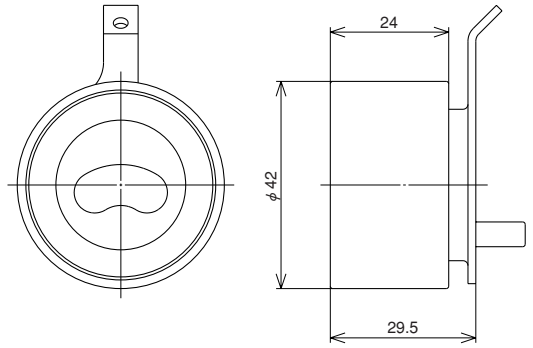
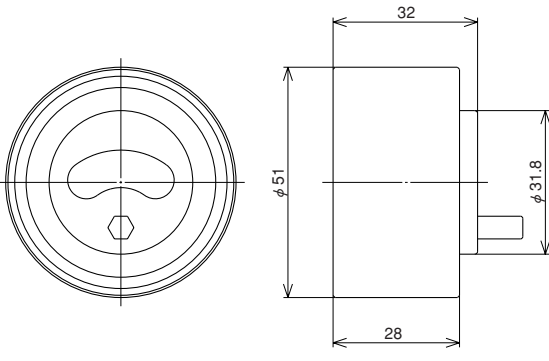
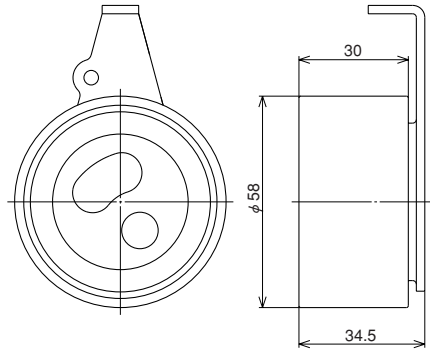
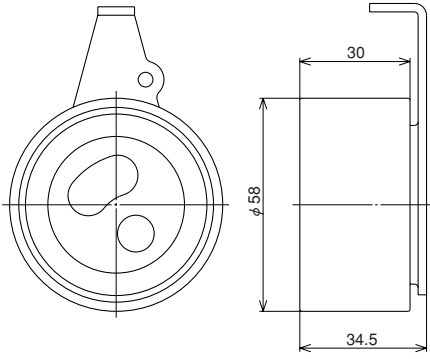
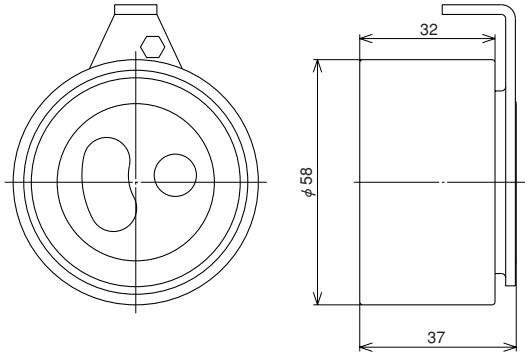
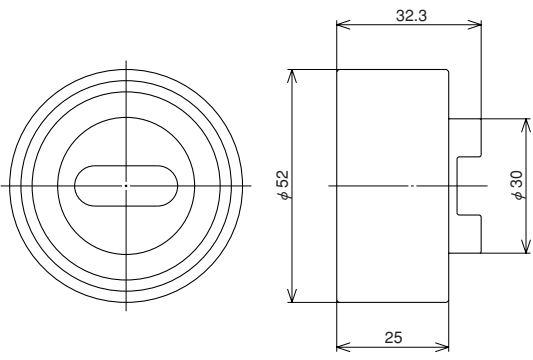
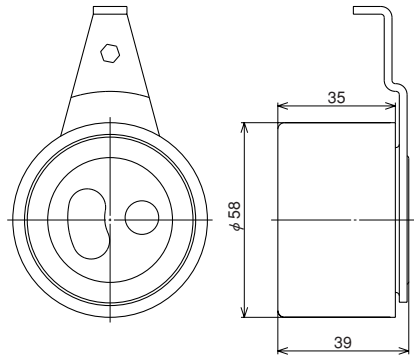
SUBARU

SUZUKI

TOYOTA

テンショナー図面

DAIHATSU
HONDA
ISUZU
MAZDA
MITSUBISHI
NISSAN
SUBARU
SUZUKI
TOYOTA

<p>T01 JPU42-004A-3</p> 	<p>T02 JPU42-002A-3</p> 
<p>T03 NEP51-006B-6</p> 	<p>T04 JPU58-012A-3</p> 
<p>T05 JPU58-015A-3</p> 	<p>T06 JPU58-54+JF545</p> 
<p>T07 NEP52-014B-2</p> 	<p>T08 JPU58-46+JF408</p> 

テンショナ図面

<p>T09 JPU58-54+JF408</p>	<p>T10 JPU58-009B-2</p>
<p>T11 JPU65-32+JF537</p>	<p>T12 JPU58-002A-7</p>
<p>T13 X3-JPU60-57</p>	<p>T14 NEP65-027B-1P</p>
<p>T15 NEP70-025B-1P</p>	<p>T16</p>

DAIHATSU

HONDA

ISUZU

MAZDA

MITSUBISHI

NISSAN

SUBARU

SUZUKI

TOYOTA

アイドラ図面

DAIHATSU
HONDA
ISUZU
MAZDA
MITSUBISHI
NISSAN
SUBARU
SUZUKI
TOYOTA

<p>I01 NEP52-015B-2</p>	<p>I02 NEP52-016B-2</p>
<p>I03 JPU58-45</p>	<p>I04 JPU58-008B-3</p>
<p>I05 JPU65-36</p>	<p>I06 JPU58-001B-3</p>
<p>I07 JPU60-150</p>	<p>I08 JPU60-415</p>

アイドラ図面

I09	I10
I11	I12
I13	I14
I15	I16

DAIHATSU

HONDA

ISUZU

MAZDA

MITSUBISHI

NISSAN

SUBARU

SUZUKI

TOYOTA