

SUBARU

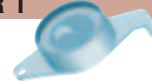
INDEX

ALCYONE/アルシオーネ	2
DOMINGO/ドミンゴ	2
FORESTER/フォレスター	2
IMPREZA/インプレッサ	2
IMPREZA SPORTS WAGON/インプレッサスポーツワゴン	4
JUSTY/ジャスティ	8
LEGACY/レガシィ	8
LEGACY B4/レガシィB4	10
LEGACY LANCASTER/レガシィランカスター	10
LEGACY OUT BACK/レガシィアウトバック	10
LEGACY S401/レガシィS401	10
LEGACY TOURING WAGON/レガシィツーリングワゴン	12
LEONE/レオーネ	14
PLEO/プレオ	16
R2/R2	16
REX/レックス	16
REX COMBI/レックスコンビ	16
SAMBAR/サンバー	16
SAMBAR DIAS/サンバーディアス	18
SAMBAR DIAS WAGON/サンバーディアスワゴン	18
SAMBAR TRY/サンバートライ	18
VIVIO/ヴィヴィオ	18
TENSIONER ILLUSTRATION/テンショナー図面	20
IDLER ILLUSTRATION/アイドル図面	21

車種はアルファベット順記載



TENSIONER 1



排気量 Displacement	燃料 Fuel	車両型式 Model	エンジン型式 Engine Type	年式 Model Year	テンショナ純正部番 OEM P/N. (互換部番) (Interchangeable OEM P/N.)	NTN品番 NTN P/N.	図番 Illustrations
---------------------	------------	---------------	-----------------------	------------------	---	-------------------	---------------------

ALCYONE/アルシオーネ

1800cc	Gasoline	AX4	EA82	1985/06 ~ 1991/08	13071AA002		
	Gasoline	AX7	EA82	1985/06 ~ 1991/08	13071AA002		
2700cc	Gasoline	AX9	ER27	1987/07 ~ 1991/08	13070AA010		
3300cc	Gasoline	CXD	EG33	1991/09 ~ 1993/10	13069AA070		
	Gasoline	CXW	EG33	1991/09 ~ 1996/11	13069AA070		

DOMINGO/ドミンゴ

1000cc	Gasoline	KJ5	EF10	1983/10 ~ 1994/06	13070KA010	JPU52-52+JF326	T01
1200cc	Gasoline	KJ8	EF12	1986/06 ~ 1994/06	13070KA031	JPU52-52+JF362	T02
	Gasoline	FA7	EF12	1994/06 ~ 1998/11	13070KA031	JPU52-52+JF362	T02
	Gasoline	FA8	EF12	1994/06 ~ 1998/11	13070KA031	JPU52-52+JF362	T02

FORESTER/フォレスタ

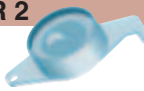


2000cc	Gasoline	SF5 DOHC	EJ20	1997/02 ~ 1998/07			
	Gasoline	SF5 DOHC	EJ20	1998/08 ~ 2002/01			
	Gasoline	SF5 SOHC	EJ20	1997/06 ~ 1998/07			
	Gasoline	SF5 SOHC	EJ20	1998/08 ~ 2002/01			
	Gasoline	SG5 DOHC	EJ20	2002/02 ~ 2002/08			
	Gasoline	SG5 DOHC	EJ20	2002/09 ~ 2004/08			
2500cc	Gasoline	SG5 SOHC	EJ20	2002/02 ~ 2004/08			
	Gasoline	SF9	EJ25	1998/08 ~ 2002/01			

IMPREZA/インプレッサ

1500cc	Gasoline	GC1	EJ15	1992/11 ~ 1997/01	13069AA037		
	Gasoline	GC1	EJ15	1997/02 ~ 1998/08			
	Gasoline	GC1	EJ15	1998/09 ~ 2000/07			
	Gasoline	GC2	EJ15	1996/09 ~ 1997/01	13069AA037		
	Gasoline	GC2	EJ15	1997/02 ~ 1998/08			
	Gasoline	GC2	EJ15	1998/09 ~ 2000/07			

必ず、現品と添付イラストにて確認をお願いします。Please check the actual item and an attachment illustration.

DAIHATSU
HONDA
ISUZU
MAZDA
MITSUBISHI
NISSAN
SUBARU
SUZUKI
TOYOTA

TENSIONER 2 			IDLER 1 			IDLER 2 		
テンショナ純正部番 OEM P/N. (互換部番) (Interchangeable OEM P/N.)	NTN品番 NTN P/N.	図番 Illustrations	アイドラ純正部番 OEM P/N. (互換部番) (Interchangeable OEM P/N.)	NTN品番 NTN P/N.	図番 Illustrations	アイドラ純正部番 OEM P/N. (互換部番) (Interchangeable OEM P/N.)	NTN品番 NTN P/N.	図番 Illustrations
.....13073AA000
.....13073AA000
13069AA00013073AA02013073AA040
.....13073AA150
.....13073AA150
.....
.....
.....13073AA142NEP60-037B-1PI0213073AA142NEP60-037B-1PI02
.....13085AA080
.....13073AA200JPU31-001B-1I0113073AA142NEP60-037B-1PI02
.....13073AA142NEP60-037B-1PI0213085AA080
.....13073AA142NEP60-037B-1PI0213073AA142NEP60-037B-1PI02
.....13073AA142NEP60-037B-1PI0213073AA190
.....13085AA080
.....13073AA200JPU31-001B-1I0113073AA142NEP60-037B-1PI02
.....13073AA142NEP60-037B-1PI0213085AA080
.....13073AA220NEP31-003B-2I0313073AA142NEP60-037B-1PI02
.....13073AA142NEP60-037B-1PI0213085AA080
.....13073AA142NEP60-037B-1PI0213073AA190
.....13073AA200JPU31-001B-1I0113073AA142NEP60-037B-1PI02
.....13073AA142NEP60-037B-1PI0213085AA080
.....
.....13073AA142NEP60-037B-1PI0213073AA142NEP60-037B-1PI02
.....13085AA080
.....13073AA142NEP60-037B-1PI0213073AA142NEP60-037B-1PI02
.....13085AA080
.....13073AA142NEP60-037B-1PI0213073AA190
.....13085AA080
.....13073AA142NEP60-037B-1PI0213073AA142NEP60-037B-1PI02
.....13085AA080
.....13073AA142NEP60-037B-1PI0213073AA142NEP60-037B-1PI02
.....13085AA080
.....13073AA142NEP60-037B-1PI0213073AA190
.....13085AA080

- DAIHATSU
- HONDA
- ISUZU
- MAZDA
- MITSUBISHI
- NISSAN
- SUBARU
- SUZUKI
- TOYOTA



TENSIONER 1



排気量 Displacement	燃料 Fuel	車両型式 Model	エンジン型式 Engine Type	年式 Model Year	テンショナ純正部番 OEM P/N. (互換部番) (Interchangeable OEM P/N.)	NTN品番 NTN P/N.	図番 Illustrations
---------------------	------------	---------------	-----------------------	------------------	---	-------------------	---------------------

IMPREZA/インプレッサ

1600cc	Gasoline	GC4	EJ16	1992/11 ~ 1996/08	13069AA037		
1800cc	Gasoline	GC6	EJ18	1992/11 ~ 1996/08	13069AA037		
2000cc	Gasoline	GC8 DOHC	EJ20	1992/11 ~ 1997/01	13069AA063		
	Gasoline	GC8 DOHC	EJ20	1997/02 ~ 1998/08			
	Gasoline	GC8 DOHC	EJ20	1998/09 ~ 2000/07			
	Gasoline	GC8 SOHC	EJ20	1996/09 ~ 1997/01	13069AA037		
	Gasoline	GC8 SOHC	EJ20	1997/02 ~ 1998/08			
	Gasoline	GD9	EJ20	2000/08 ~ 2002/09			
	Gasoline	GD9	EJ20	2002/10 ~ 2003/08			
	Gasoline	GDA	EJ20	2000/08 ~ 2002/09			
	Gasoline	GDA	EJ20	2002/10 ~ 2003/08			
	Gasoline	GDA	EJ20	2003/09 ~ 2004/08			
	Gasoline	GDB	EJ20	2000/08 ~ 2002/09			
	Gasoline	GDB	EJ20	2002/10 ~ 2003/08			
	Gasoline	GDB	EJ20	2003/09 ~ 2004/08			

IMPREZA SPORTS WAGON/インプレッサスポーツワゴン

1500cc	Gasoline	GF1	EJ15	1994/09 ~ 1997/01	13069AA037		
	Gasoline	GF1	EJ15	1997/02 ~ 1998/08			
	Gasoline	GF1	EJ15	1998/09 ~ 2000/07			
	Gasoline	GF2	EJ15	1996/09 ~ 1997/01	13069AA037		
	Gasoline	GF2	EJ15	1997/02 ~ 1998/08			
	Gasoline	GF2	EJ15	1997/02 ~ 1998/08			

必ず、現品と添付イラストにて確認をお願いします。Please check the actual item and an attachment illustration.

DAIHATSU

HONDA

ISUZU

MAZDA

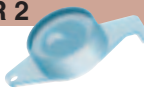


MITSUBISHI

NISSAN

SUBARU

SUZUKI

TOYOTA

TENSIONER 2 			IDLER 1 			IDLER 2 			
テンショナ純正部番 OEM P/N. (互換部番) (Interchangeable OEM P/N.)	NTN品番 NTN P/N.	図番 Illustrations	アイドラ純正部番 OEM P/N. (互換部番) (Interchangeable OEM P/N.)	NTN品番 NTN P/N.	図番 Illustrations	アイドラ純正部番 OEM P/N. (互換部番) (Interchangeable OEM P/N.)	NTN品番 NTN P/N.	図番 Illustrations	
.....	13073AA142	NEP60-037B-1P	I02	13073AA142	NEP60-037B-1P	I02
.....	13085AA080	13085AA080
.....	13073AA142	NEP60-037B-1P	I02	13073AA142	NEP60-037B-1P	I02
.....	13085AA080	13085AA080
.....	13073AA142	NEP60-037B-1P	I02	13073AA142	NEP60-037B-1P	I02
.....	13085AA080	13085AA080
.....	13073AA200	JPU31-001B-1	I01	13073AA142	NEP60-037B-1P	I02
.....	13073AA142	NEP60-037B-1P	I02	13085AA080
.....	13073AA142	NEP60-037B-1P	I02	13073AA142	NEP60-037B-1P	I02
.....	13085AA080	13085AA080
.....	13073AA142	NEP60-037B-1P	I02	13073AA142	NEP60-037B-1P	I02
.....	13085AA080	13085AA080
.....	13073AA200	JPU31-001B-1	I01	13073AA142	NEP60-037B-1P	I02
.....	13073AA142	NEP60-037B-1P	I02	13085AA080
.....	13073AA220	NEP31-003B-2	I01	13073AA142	NEP60-037B-1P	I02
.....	13073AA142	NEP60-037B-1P	I02	13085AA080
.....	13073AA200	JPU31-001B-1	I01	13073AA142	NEP60-037B-1P	I02
.....	13073AA142	NEP60-037B-1P	I02	13085AA080
.....	13073AA220	NEP31-003B-2	I01	13073AA142	NEP60-037B-1P	I02
.....	13073AA142	NEP60-037B-1P	I02	13085AA080
.....	13073AA230	NEP31-003B-4	I04	13073AA142	NEP60-037B-1P	I02
.....	13073AA142	NEP60-037B-1P	I02	13085AA080
.....	13073AA200	JPU31-001B-1	I01	13073AA142	NEP60-037B-1P	I02
.....	13073AA142	NEP60-037B-1P	I02	13085AA080
.....	13073AA220	NEP31-003B-2	I01	13073AA142	NEP60-037B-1P	I02
.....	13073AA142	NEP60-037B-1P	I02	13085AA080
.....	13073AA230	NEP31-003B-4	I04	13073AA142	NEP60-037B-1P	I02
.....	13073AA142	NEP60-037B-1P	I02	13085AA080
.....	13073AA142	NEP60-037B-1P	I02	13073AA142	NEP60-037B-1P	I02
.....	13085AA080	13085AA080
.....	13073AA142	NEP60-037B-1P	I02	13073AA142	NEP60-037B-1P	I02
.....	13085AA080	13085AA080
.....	13073AA142	NEP60-037B-1P	I02	13073AA190
.....	13085AA080	13085AA080
.....	13073AA142	NEP60-037B-1P	I02	13073AA190
.....	13085AA080	13085AA080
.....	13073AA142	NEP60-037B-1P	I02	13073AA190
.....	13085AA080	13085AA080
.....	13073AA142	NEP60-037B-1P	I02	13073AA142	NEP60-037B-1P	I02
.....	13085AA080	13085AA080

DAIHATSU

HONDA

ISUZU

MAZDA

MITSUBISHI

NISSAN

SUBARU

SUZUKI

TOYOTA

DAIHATSU

HONDA

ISUZU

MAZDA

MITSUBISHI

NISSAN

SUBARU

SUZUKI

TOYOTA



TENSIONER 1

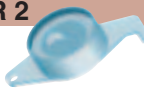




排気量 Displacement	燃料 Fuel	車両型式 Model	エンジン型式 Engine Type	年式 Model Year	テンショナ純正部番 OEM P/N. (互換部番) (Interchangeable OEM P/N.)	NTN品番 NTN P/N.	図番 Illustrations
---------------------	------------	---------------	-----------------------	------------------	---	-------------------	---------------------

IMPREZA SPORTS WAGON/インプレッサスポーツワゴン

1500cc	Gasoline	GG2	EJ15	2000/08 ~ 2004/08			
	Gasoline	GG3	EJ15	2000/08 ~ 2004/08			
1600cc	Gasoline	GF3	EJ16	1992/11 ~ 1996/08	13069AA037		
	Gasoline	GF4	EJ16	1993/10 ~ 1996/08	13069AA037		
1800cc	Gasoline	GF5	EJ18	1996/09 ~ 1996/12	13069AA037		
	Gasoline	GF5	EJ18	1997/01 ~ 1998/08			
	Gasoline	GF5	EJ18	1998/09 ~ 2000/07			
	Gasoline	GF6	EJ18	1995/02 ~ 1996/12	13069AA037		
	Gasoline	GF6	EJ18	1997/01 ~ 1998/08			
	Gasoline	GF6	EJ18	1998/09 ~ 2000/07			
	Gasoline	GFA	EJ18	1992/11 ~ 1994/08	13069AA037		
	Gasoline	GFA	EJ18	1992/11 ~ 1994/08	13069AA037		
2000cc	Gasoline	GF8 DOHC	EJ20	1993/10 ~ 1997/01	13069AA063		
	Gasoline	GF8 DOHC	EJ20	1997/02 ~ 1998/08			
	Gasoline	GF8 DOHC	EJ20	1998/09 ~ 2000/07			
	Gasoline	GF8 SOHC	EJ20	1995/02 ~ 1997/01	13069AA037		
	Gasoline	GF8 SOHC	EJ20	1997/02 ~ 1998/08			
	Gasoline	GG9	EJ20	2000/08 ~ 2002/09			
	Gasoline	GG9	EJ20	2002/10 ~ 2003/08			
	Gasoline	GG9	EJ20	2003/09 ~ 2004/05			
	Gasoline	GGA	EJ20	2000/08 ~ 2002/09			
	Gasoline	GGA	EJ20	2002/10 ~ 2003/08			
Gasoline	GGA	EJ20	2003/09 ~ 2004/08				

必ず、現品と添付イラストにて確認を願います。Please check the actual item and an attachment illustration.

TENSIONER 2 			IDLER 1 			IDLER 2 		
テンショナ純正部番 OEM P/N. (互換部番) (Interchangeable OEM P/N.)	NTN品番 NTN P/N.	図番 Illustrations	アイドラ純正部番 OEM P/N. (互換部番) (Interchangeable OEM P/N.)	NTN品番 NTN P/N.	図番 Illustrations	アイドラ純正部番 OEM P/N. (互換部番) (Interchangeable OEM P/N.)	NTN品番 NTN P/N.	図番 Illustrations
.....	13073AA142	NEP60-037B-1P	I02	13073AA190
.....	13085AA080
.....	13073AA142	NEP60-037B-1P	I02	13073AA190
.....	13085AA080
.....	13073AA142	NEP60-037B-1P	I02	13073AA142	NEP60-037B-1P	I02
.....	13085AA080
.....	13073AA142	NEP60-037B-1P	I02	13073AA142	NEP60-037B-1P	I02
.....	13085AA080
.....	13073AA142	NEP60-037B-1P	I02	13073AA142	NEP60-037B-1P	I02
.....	13085AA080
.....	13073AA142	NEP60-037B-1P	I02	13073AA142	NEP60-037B-1P	I02
.....	13085AA080
.....	13073AA142	NEP60-037B-1P	I02	13073AA190
.....	13085AA080
.....	13073AA142	NEP60-037B-1P	I02	13073AA142	NEP60-037B-1P	I02
.....	13085AA080
.....	13073AA142	NEP60-037B-1P	I02	13073AA142	NEP60-037B-1P	I02
.....	13085AA080
.....	13073AA200	JPU31-001B-1	I01	13073AA142	NEP60-037B-1P	I02
.....	13073AA142	NEP60-037B-1P	I02	13085AA080
.....	13073AA142	NEP60-037B-1P	I02	13073AA142	NEP60-037B-1P	I02
.....	13085AA080
.....	13073AA142	NEP60-037B-1P	I02	13073AA142	NEP60-037B-1P	I02
.....	13085AA080
.....	13073AA220	NEP31-003B-2	I03	13073AA142	NEP60-037B-1P	I02
.....	13073AA142	NEP60-037B-1P	I02	13085AA080
.....	13073AA230	NEP31-003B-4	I04	13073AA142	NEP60-037B-1P	I02
.....	13073AA142	NEP60-037B-1P	I02	13085AA080
.....	13073AA200	JPU31-001B-1	I01	13073AA142	NEP60-037B-1P	I02
.....	13073AA142	NEP60-037B-1P	I02	13085AA080
.....	13073AA220	NEP31-003B-2	I03	13073AA142	NEP60-037B-1P	I02
.....	13073AA142	NEP60-037B-1P	I02	13085AA080
.....	13073AA230	NEP31-003B-4	I04	13073AA142	NEP60-037B-1P	I02
.....	13073AA142	NEP60-037B-1P	I02	13085AA080
.....	13073AA142	NEP60-037B-1P	I02	13085AA080
.....	13073AA230	NEP31-003B-4	I04	13073AA142	NEP60-037B-1P	I02
.....	13073AA142	NEP60-037B-1P	I02	13085AA080

DAIHATSU

HONDA

ISUZU

MAZDA

MITSUBISHI

NISSAN

SUBARU

SUZUKI

TOYOTA

DAIHATSU
HONDA
ISUZU
MAZDA
MITSUBISHI
NISSAN
SUBARU
SUZUKI
TOYOTA

						TENSIONER 1 	
排気量 Displacement	燃料 Fuel	車両型式 Model	エンジン型式 Engine Type	年式 Model Year	テンショナ純正部番 OEM P/N. (互換部番) (Interchangeable OEM P/N.)	NTN品番 NTN P/N.	図番 Illustrations

IMPREZA SPORTS WAGON/インプレッサスポーツワゴン

2000cc	GasolineGGB.....	EJ202000/08 ~2002/09.....
	GasolineGGB.....	EJ202002/10 ~2002/10.....

JUSTY/ジャスティ

1000cc	GasolineKA5.....	EF101984/02 ~1988/10.....13070KA010..... JPU52-52+JF326T01.....
	GasolineKA6.....	EF101984/02 ~1988/10.....13070KA010..... JPU52-52+JF326T01.....

LEGACY/レガシィ

1800cc	GasolineBC2.....	EJ181989/02 ~1993/09.....13069AA037.....
	GasolineBC3.....	EJ181989/02 ~1993/09.....13069AA037.....
	GasolineBD2.....	EJ181994/06 ~1996/09.....13069AA037.....
	GasolineBD2.....	EJ181996/10 ~1998/11.....
	GasolineBD3.....	EJ181994/06 ~1996/09.....13069AA037.....
	GasolineBD3.....	EJ181996/10 ~1998/11.....
2000cc	GasolineBC4 DOHC.....	EJ201989/02 ~1993/09.....13069AA063.....
	GasolineBC4 SOHC.....	EJ201989/02 ~1993/09.....13069AA037.....
	GasolineBC5 DOHC.....	EJ201989/02 ~1993/09.....13069AA063.....
	GasolineBC5 SOHC.....	EJ201989/02 ~1993/09.....13069AA037.....
	GasolineBCA.....	EJ201990/05 ~1993/09.....13069AA063.....
	GasolineBD4 DOHC.....	EJ201993/10 ~1996/05.....13069AA063.....
	GasolineBD4 SOHC.....	EJ201993/10 ~1996/09.....13069AA037.....
	GasolineBD4 SOHC.....	EJ201996/10 ~1998/11.....
	GasolineBD5 DOHC.....	EJ201993/10 ~1996/09.....13069AA063.....
	GasolineBD5 DOHC.....	EJ201996/10 ~1998/11.....

必ず、現品と添付イラストにて確認を願います。Please check the actual item and an attachment illustration.



テンショナ純正部番 OEM P/N. (互換部番) (Interchangeable OEM P/N.)	NTN品番 NTN P/N.	図番 Illustrations	アイドラ純正部番 OEM P/N. (互換部番) (Interchangeable OEM P/N.)	NTN品番 NTN P/N.	図番 Illustrations	アイドラ純正部番 OEM P/N. (互換部番) (Interchangeable OEM P/N.)	NTN品番 NTN P/N.	図番 Illustrations
---	-------------------	---------------------	--	-------------------	---------------------	--	-------------------	---------------------

.....	13073AA200	JPU31-001B-1	I01	13073AA142	NEP60-037B-1P	I02
.....	13073AA142	NEP60-037B-1P	I02	13085AA080
.....	13073AA220	NEP31-003B-2	I01	13073AA142	NEP60-037B-1P	I02
.....	13073AA142	NEP60-037B-1P	I02	13085AA080

.....

.....

.....	13073AA142	NEP60-037B-1P	I02	13073AA142	NEP60-037B-1P	I02
.....	13085AA080
.....	13073AA142	NEP60-037B-1P	I02	13073AA142	NEP60-037B-1P	I02
.....	13085AA080
.....	13073AA142	NEP60-037B-1P	I02	13073AA142	NEP60-037B-1P	I02
.....	13085AA080
.....	13073AA142	NEP60-037B-1P	I02	13073AA142	NEP60-037B-1P	I02
.....	13085AA080
.....	13073AA142	NEP60-037B-1P	I02	13073AA142	NEP60-037B-1P	I02
.....	13085AA080
.....	13073AA142	NEP60-037B-1P	I02	13073AA142	NEP60-037B-1P	I02
.....	13085AA080
.....	13073AA142	NEP60-037B-1P	I02	13073AA142	NEP60-037B-1P	I02
.....	13085AA080
.....	13073AA142	NEP60-037B-1P	I02	13073AA142	NEP60-037B-1P	I02
.....	13085AA080
.....	13073AA142	NEP60-037B-1P	I02	13073AA142	NEP60-037B-1P	I02
.....	13085AA080
.....	13073AA142	NEP60-037B-1P	I02	13073AA142	NEP60-037B-1P	I02
.....	13085AA080
.....	13073AA142	NEP60-037B-1P	I02	13073AA142	NEP60-037B-1P	I02
.....	13085AA080
.....	13073AA142	NEP60-037B-1P	I02	13073AA142	NEP60-037B-1P	I02
.....	13085AA080

DAIHATSU
 HONDA
 ISUZU
 MAZDA
 MITSUBISHI
 NISSAN
 SUBARU
 SUZUKI
 TOYOTA

DAIHATSU
 HONDA
 ISUZU
 MAZDA
 MITSUBISHI
 NISSAN
 SUBARU
 SUZUKI
 TOYOTA

						TENSIONER 1 	
排気量 Displacement	燃料 Fuel	車両型式 Model	エンジン型式 Engine Type	年式 Model Year	テンショナ純正部番 OEM P/N. (互換部番) (Interchangeable OEM P/N.)	NTN品番 NTN P/N.	図番 Illustrations

LEGACY/レガシィ

2000cc	Gasoline	BD5 SOHC	EJ20	1993/10 ~ 1996/09	13069AA037		
	Gasoline	BD5 SOHC	EJ20	1996/10 ~ 1998/11			
2500cc	Gasoline	BD9	EJ25	1994/10 ~ 1996/09	13069AA063		
	Gasoline	BD9	EJ25	1996/10 ~ 1998/11			

LEGACY B4/レガシィB4

2000cc	Gasoline	BE5 DOHC	EJ20	1998/12 ~ 2003/04			
	Gasoline	BE5 SOHC	EJ20	2000/05 ~ 2003/04			
	Gasoline	BL5 DOHC	EJ20	2003/05 ~ 2003/12			
	Gasoline	BL5 DOHC	EJ20	2004/01 ~ 2004/08			
	Gasoline	BL5 SOHC	EJ20	2003/05 ~ 2004/08			
2500cc	Gasoline	BE9	EJ25	2001/05 ~ 2003/04			

LEGACY LANCASTER/レガシィランカスター

2500cc	Gasoline	BH9	EJ25	2000/05 ~ 2003/08			
--------	----------	-----	------	-------------------	--	--	--

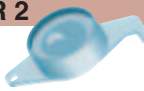


LEGACY OUTBACK/レガシィアウトバック

2500cc	Gasoline	BP9	EJ25	2003/10 ~ 2004/08			
--------	----------	-----	------	-------------------	--	--	--

LEGACY S401/レガシィS401

2000cc	Gasoline	BES	EJ20	2002/11 ~ 2003/03			
--------	----------	-----	------	-------------------	--	--	--

必ず、現品と添付イラストにて確認をお願いします。Please check the actual item and an attachment illustration.

TENSIONER 2 			IDLER 1 			IDLER 2 		
テンショナ純正部番 OEM P/N. (互換部番) (Interchangeable OEM P/N.)	NTN品番 NTN P/N.	図番 Illustrations	アイドラ純正部番 OEM P/N. (互換部番) (Interchangeable OEM P/N.)	NTN品番 NTN P/N.	図番 Illustrations	アイドラ純正部番 OEM P/N. (互換部番) (Interchangeable OEM P/N.)	NTN品番 NTN P/N.	図番 Illustrations
.....13073AA142NEP60-037B-1PI0213073AA142NEP60-037B-1PI02
.....13085AA080
.....13073AA142NEP60-037B-1PI0213073AA142NEP60-037B-1PI02
.....13085AA080
.....13073AA142NEP60-037B-1PI0213073AA142NEP60-037B-1PI02
.....13085AA080
.....13073AA142NEP60-037B-1PI0213073AA142NEP60-037B-1PI02
.....13085AA080
.....13073AA200JPU31-001B-1I0113073AA142NEP60-037B-1PI02
.....13073AA142NEP60-037B-1PI0213085AA080
.....13073AA142NEP60-037B-1PI0213073AA142NEP60-037B-1PI02
.....13085AA080
.....13073AA220NEP31-003B-2I0313073AA142NEP60-037B-1PI02
.....13073AA142NEP60-037B-1PI0213085AA080
.....13073AA230NEP31-003B-4I0413073AA142NEP60-037B-1PI02
.....13073AA142NEP60-037B-1PI0213085AA080
.....13073AA142NEP60-037B-1PI0213073AA190
.....13085AA080
.....13073AA200JPU31-001B-1I0113073AA142NEP60-037B-1PI02
.....13073AA142NEP60-037B-1PI0213085AA080
.....13073AA200JPU31-001B-1I0113073AA142NEP60-037B-1PI02
.....13073AA142NEP60-037B-1PI0213085AA080
.....13073AA142NEP60-037B-1PI0213073AA190
.....13085AA080
.....13073AA200JPU31-001B-1I0113073AA142NEP60-037B-1PI02
.....13073AA142NEP60-037B-1PI0213085AA080

DAIHATSU

HONDA

ISUZU

MAZDA

MITSUBISHI

NISSAN

SUBARU

SUZUKI

TOYOTA



TENSIONER 1



排気量
Displacement

燃料
Fuel

車両型式
Model

エンジン型式
Engine Type

年式
Model Year

テンショナ純正部番
OEM P/N.
(互換部番)
(Interchangeable OEM P/N.)

NTN品番
NTN P/N.

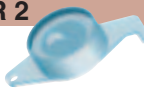


図番
Illustrations

LEGACY TOURING WAGON/レガシィツーリングワゴン

1800cc	Gasoline	BF3	EJ18	1989/02 ~ 1993/09	13069AA037
	Gasoline	BG2	EJ18	1996/06 ~ 1996/09	13069AA037
	Gasoline	BG2	EJ18	1996/10 ~ 1998/11	
	Gasoline	BG3	EJ18	1994/06 ~ 1996/09	13069AA037
	Gasoline	BG3	EJ18	1996/10 ~ 1998/11	
2000cc	Gasoline	BF4	EJ20	1992/06 ~ 1993/09	13069AA037
	Gasoline	BF5 DOHC	EJ20	1989/03 ~ 1993/09	13069AA063
	Gasoline	BF5 SOHC	EJ20	1991/06 ~ 1993/09	13069AA037
	Gasoline	BFA DOHC	EJ20	1989/03 ~ 1993/09	13069AA063
	Gasoline	BFA SOHC	EJ20	1991/06 ~ 1993/09	13069AA037
	Gasoline	BG4	EJ20	1993/10 ~ 1996/09	13069AA037
	Gasoline	BG4	EJ20	1996/10 ~ 1998/11	
	Gasoline	BG5 DOHC	EJ20	1993/10 ~ 1996/09	13069AA063
	Gasoline	BG5 DOHC	EJ20	1996/10 ~ 1998/11	
	Gasoline	BG5 SOHC	EJ20	1993/10 ~ 1996/09	13069AA037
	Gasoline	BG5 SOHC	EJ20	1996/10 ~ 1998/11	
	Gasoline	BGA	EJ20	1993/10 ~ 1996/09	13069AA037
	Gasoline	BGA	EJ20	1996/10 ~ 1998/11	
	Gasoline	BH5 DOHC	EJ20	1998/06 ~ 2003/04	
	Gasoline	BH5 SOHC	EJ20	1998/06 ~ 2003/04	
	Gasoline	BP5 DOHC	EJ20	2003/05 ~ 2003/12	
	Gasoline	BP5 DOHC	EJ20	2004/01 ~ 2004/08	

必ず、現品と添付イラストにて確認を願います。Please check the actual item and an attachment illustration.

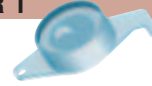
DAIHATSU
HONDA
ISUZU
MAZDA
MITSUBISHI
NISSAN
SUBARU
SUZUKI
TOYOTA

TENSIONER 2 			IDLER 1 			IDLER 2 			
テンショナ純正部番 OEM P/N. (互換部番) (Interchangeable OEM P/N.)	NTN品番 NTN P/N.	図番 Illustrations	アイドラ純正部番 OEM P/N. (互換部番) (Interchangeable OEM P/N.)	NTN品番 NTN P/N.	図番 Illustrations	アイドラ純正部番 OEM P/N. (互換部番) (Interchangeable OEM P/N.)	NTN品番 NTN P/N.	図番 Illustrations	
.....	13073AA142	NEP60-037B-1P	I02	13073AA142	NEP60-037B-1P	I02
.....	13085AA080	13085AA080
.....	13073AA142	NEP60-037B-1P	I02	13073AA142	NEP60-037B-1P	I02
.....	13085AA080	13085AA080
.....	13073AA142	NEP60-037B-1P	I02	13073AA142	NEP60-037B-1P	I02
.....	13085AA080	13085AA080
.....	13073AA142	NEP60-037B-1P	I02	13073AA142	NEP60-037B-1P	I02
.....	13085AA080	13085AA080
.....	13073AA142	NEP60-037B-1P	I02	13073AA142	NEP60-037B-1P	I02
.....	13085AA080	13085AA080
.....	13073AA142	NEP60-037B-1P	I02	13073AA142	NEP60-037B-1P	I02
.....	13085AA080	13085AA080
.....	13073AA142	NEP60-037B-1P	I02	13073AA142	NEP60-037B-1P	I02
.....	13085AA080	13085AA080
.....	13073AA142	NEP60-037B-1P	I02	13073AA142	NEP60-037B-1P	I02
.....	13085AA080	13085AA080
.....	13073AA142	NEP60-037B-1P	I02	13073AA142	NEP60-037B-1P	I02
.....	13085AA080	13085AA080
.....	13073AA142	NEP60-037B-1P	I02	13073AA142	NEP60-037B-1P	I02
.....	13085AA080	13085AA080
.....	13073AA142	NEP60-037B-1P	I02	13073AA142	NEP60-037B-1P	I02
.....	13085AA080	13085AA080
.....	13073AA142	NEP60-037B-1P	I02	13073AA142	NEP60-037B-1P	I02
.....	13085AA080	13085AA080
.....	13073AA142	NEP60-037B-1P	I02	13073AA142	NEP60-037B-1P	I02
.....	13085AA080	13085AA080
.....	13073AA200	JPU31-001B-1	I01	13073AA142	NEP60-037B-1P	I02
.....	13085AA080	NEP60-037B-1P	I02	13085AA080
.....	13073AA142	NEP60-037B-1P	I02	13073AA190
.....	13085AA080	13085AA080
.....	13073AA220	NEP31-003B-2	I03	13073AA142	NEP60-037B-1P	I02
.....	13085AA080	NEP60-037B-1P	I02	13085AA080
.....	13073AA230	NEP31-003B-4	I04	13073AA142	NEP60-037B-1P	I02
.....	13085AA080	NEP60-037B-1P	I02	13085AA080

DAIHATSU
HONDA
ISUZU
MAZDA
MITSUBISHI
NISSAN
SUBARU
SUZUKI
TOYOTA



TENSIONER 1



排気量 Displacement	燃料 Fuel	車両型式 Model	エンジン型式 Engine Type	年式 Model Year	テンショナ純正部番 OEM P/N. (互換部番) (Interchangeable OEM P/N.)	NTN品番 NTN P/N.	図番 Illustrations
---------------------	------------	---------------	-----------------------	------------------	---	-------------------	---------------------

LEGACY TOURING WAGON/レガシィツーリングワゴン

2000cc	Gasoline	BP5 SOHC	EJ20	2003/05 ~ 2004/08			
2200cc	Gasoline	BF7	EJ22	1992/06 ~ 1993/09	13069AA037		
	Gasoline	BFB	EJ22	1992/06 ~ 1993/09	13069AA037		
	Gasoline	BG7	EJ22	1993/10 ~ 1996/05	13069AA037		
	Gasoline	BGB	EJ22	1993/10 ~ 1996/05	13069AA037		
2500cc	Gasoline	BG9	EJ25	1994/10 ~ 1996/09	13069AA063		
	Gasoline	BG9	EJ25	1996/10 ~ 1998/11			
	Gasoline	BGC	EJ25	1994/10 ~ 1996/09	13069AA063		
	Gasoline	BGC	EJ25	1996/10 ~ 1998/11			
	Gasoline	BH9	EJ25	1998/06 ~ 2003/04			
	Gasoline	BHC	EJ25	1998/06 ~ 2001/04			

LEONE/レオーネ

1600cc	Gasoline	AA2	EA71	1984/07 ~ 1994/03	13071AA002		
	Gasoline	AA3	EA71	1984/07 ~ 1994/03	13071AA002		
	Gasoline	AP2	EA71	1984/10 ~ 1994/03	13071AA002		
	Gasoline	AP3	EA71	1984/10 ~ 1994/03	13071AA002		
	Gasoline	AP8	EA71	1988/09 ~ 1994/03	13071AA002		
	Gasoline	AP9	EA71	1988/09 ~ 1994/03	13071AA002		
1800cc	Gasoline	AA4	EA82	1984/07 ~ 1989/01	13071AA002		
	Gasoline	AA5	EA82	1984/07 ~ 1989/01	13071AA002		
	Gasoline	AA7	EA82	1984/07 ~ 1989/01	13071AA002		
	Gasoline	AP5	EA82	1985/10 ~ 1989/01	13071AA002		
	Gasoline	AG6	EA82	1986/04 ~ 1989/01	13071AA002		
	Gasoline	AL5	EA82	1984/10 ~ 1989/01	13071AA002		
	Gasoline	AL7	EA82	1984/10 ~ 1989/01	13071AA002		

必ず、現品と添付イラストにて確認をお願いします。Please check the actual item and an attachment illustration.

DAIHATSU
HONDA
ISUZU
MAZDA
MITSUBISHI
NISSAN
SUBARU
SUZUKI
TOYOTA

TENSIONER 2 			IDLER 1 			IDLER 2 		
テンショナ純正部番 OEM P/N. (互換部番) <small>(Interchangeable OEM P/N.)</small>	NTN品番 NTN P/N.	図番 Illustrations	アイドラ純正部番 OEM P/N. (互換部番) <small>(Interchangeable OEM P/N.)</small>	NTN品番 NTN P/N.	図番 Illustrations	アイドラ純正部番 OEM P/N. (互換部番) <small>(Interchangeable OEM P/N.)</small>	NTN品番 NTN P/N.	図番 Illustrations

.....13073AA142 NEP60-037B-1PI0213073AA190
.....13085AA080
.....13073AA142 NEP60-037B-1PI0213073AA142 NEP60-037B-1PI02
.....13085AA080
.....13073AA142 NEP60-037B-1PI0213073AA142 NEP60-037B-1PI02
.....13085AA080
.....13073AA142 NEP60-037B-1PI0213073AA142 NEP60-037B-1PI02
.....13085AA080
.....13073AA142 NEP60-037B-1PI0213073AA142 NEP60-037B-1PI02
.....13085AA080
.....13073AA200 JPU31-001B-1I0113073AA142 NEP60-037B-1PI02
.....13073AA142 NEP60-037B-1PI0213085AA080
.....13073AA200 JPU31-001B-1I0113073AA142 NEP60-037B-1PI02
.....13073AA142 NEP60-037B-1PI0213085AA080
.....
.....
.....
.....
.....
.....
.....
.....
.....
.....

- DAIHATSU
- HONDA
- ISUZU
- MAZDA
- mitsubishi
- NISSAN
- SUBARU
- SUZUKI
- TOYOTA

			TENSIONER 1				
排気量 Displacement	燃料 Fuel	車両型式 Model	エンジン型式 Engine Type	年式 Model Year	テンショナ純正部番 OEM P/N. (交換部番) (Interchangeable OEM P/N.)	NTN品番 NTN P/N.	図番 Illustrations

PLEO/プレオ

660cc	Gasoline	RA1 SOHC	EN07	2000/10 ~ 2004/08	13070KA073 (13072KA072)	
	Gasoline	RA1 DOHC	EN07	1998/10 ~ 2004/01	13070KA101	
	Gasoline	RA2 SOHC	EN07	2000/10 ~ 2004/08	13070KA073 (13072KA072)	
	Gasoline	RA2 DOHC	EN07	1998/10 ~ 2004/01	13070KA101	
	Gasoline	RV1	EN07	1998/10 ~ 2004/08	13070KA073 (13072KA072)	
	Gasoline	RV2	EN07	1998/10 ~ 2004/08	13070KA073 (13072KA072)	

R2/R2

660cc	Gasoline	RC1 SOHC	EN07	2003/10 ~ 2004/08	13070KA073	
	Gasoline	RC1 DOHC-NA	EN07	2003/10 ~ 2004/08	13070KA110	
	Gasoline	RC1 DOHC-SC	EN07	2003/10 ~ 2004/08	13070KA101	
	Gasoline	RC2 SOHC	EN07	2003/10 ~ 2004/08	13070KA073	
	Gasoline	RC2 DOHC-NA	EN07	2003/10 ~ 2004/08	13070KA110	
	Gasoline	RC2 DOHC-SC	EN07	2003/10 ~ 2004/08	13070KA101	

REX/レックス

550cc	Gasoline	KG1	EK23	1986/11 ~ 1989/06	410455400	JPU52-9+JF119	T03
	Gasoline	KG2	EK23	1987/02 ~ 1989/06	410455400	JPU52-9+JF119	T03
	Gasoline	KH1	EN05	1989/06 ~ 1990/02	13070KA050		
	Gasoline	KH2	EN05	1989/06 ~ 1990/02	13070KA050		
	Gasoline	KP2	EN05	1989/06 ~ 1990/02	13070KA050		
	Gasoline	KP1	EN05	1989/06 ~ 1990/02	13070KA050		
660cc	Gasoline	KH3	EN07	1990/03 ~ 1992/03	13070KA073 (13072KA072)		
	Gasoline	KH4	EN07	1990/03 ~ 1992/03	13070KA073 (13072KA072)		
	Gasoline	KP3	EN07	1990/03 ~ 1992/03	13070KA073 (13072KA072)		
	Gasoline	KP4	EN07	1990/03 ~ 1992/03	13070KA073 (13072KA072)		

REX COMBI/レックスコンビ

550cc	Gasoline	KN1	EK23	1986/11 ~ 1989/06	410455400	JPU52-9+JF119	T03
	Gasoline	KN2	EK23	1986/11 ~ 1989/06	410455400	JPU52-9+JF119	T03

SAMBAR/サンバー

550cc	Gasoline	KT1	EK23	1982/09 ~ 1990/04	410455400	JPU52-9+JF119	T03
	Gasoline	KT6	EK23	1987/09 ~ 1990/04	410455400	JPU52-9+JF119	T03
660cc	Gasoline	KS3	EN07	1990/03 ~ 1998/12	13070KA073 (13072KA072)		

必ず、現品と添付イラストにて確認を願います。Please check the actual item and an attachment illustration.



テンショナ純正部番 OEM P/N. (互換部番) (Interchangeable OEM P/N.)	NTN品番 NTN P/N.	図番 Illustrations	アイドラ純正部番 OEM P/N. (互換部番) (Interchangeable OEM P/N.)	NTN品番 NTN P/N.	図番 Illustrations	アイドラ純正部番 OEM P/N. (互換部番) (Interchangeable OEM P/N.)	NTN品番 NTN P/N.	図番 Illustrations
---	-------------------	---------------------	--	-------------------	---------------------	--	-------------------	---------------------

DAIHATSU

HONDA

ISUZU

MAZDA

MITSUBISHI

NISSAN

SUBARU

SUZUKI

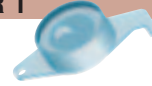
TOYOTA

.....-13085KA000

.....-13085KA000



TENSIONER 1



排気量 Displacement	燃料 Fuel	車両型式 Model	エンジン型式 Engine Type	年式 Model Year	テンショナ純正部番 OEM P/N. (互換部番) (Interchangeable OEM P/N.)	NTN品番 NTN P/N.	図番 Illustrations
---------------------	------------	---------------	-----------------------	------------------	---	-------------------	---------------------

SAMBAR/サンバー

660cc	Gasoline	KS4	EN07	1990/03 ~ 1998/12	13070KA073 (13072KA072)		
	Gasoline	KV3	EN07	1990/03 ~ 1998/12	13070KA073 (13072KA072)		
	Gasoline	KV4	EN07	1990/03 ~ 1998/12	13070KA073 (13072KA072)		
	Gasoline	TT1	EN07	1999/01 ~ 2004/08	13070KA073 (13072KA072)		
	Gasoline	TT2	EN07	1999/01 ~ 2004/08	13070KA073 (13072KA072)		
	Gasoline	TV1	EN07	1999/01 ~ 2002/01	13070KA073 (13072KA072)		
	Gasoline	TV2	EN07	1999/01 ~ 2002/01	13070KA073 (13072KA072)		

SAMBAR DIAS/サンバーディアス

660cc	Gasoline	TV1	EN07	1999/01 ~ 2003/10	13070KA073 (13072KA072)		
	Gasoline	TV2	EN07	1999/01 ~ 2003/10	13070KA073 (13072KA072)		

SAMBAR DIAS WAGON/サンバーディアスワゴン

660cc	Gasoline	TW1	EN07	1999/01 ~ 2004/08	13070KA073 (13072KA072)		
	Gasoline	TW2	EN07	1999/01 ~ 2004/08	13070KA073 (13072KA072)		

SAMBAR TRY/サンバートライ

550cc	Gasoline	KR1	EK23	1982/09 ~ 1990/04	410455400	JPU52-9+JF119	T03
	Gasoline	KR5	EK23	1987/09 ~ 1990/04	410455400	JPU52-9+JF119	T03
	Gasoline	KR6	EK23	1987/09 ~ 1990/04	410455400	JPU52-9+JF119	T03

VIVIO/ヴィヴィオ

660cc	Gasoline	KK3 DOHC	EN07Y	1992/03 ~ 1998/09	13070KA101		
	Gasoline	KK3 SOHC	EN07E	1992/03 ~ 1998/09	13072KA073 (13072KA072)		
	Gasoline	KK4 DOHC	EN07Y	1992/03 ~ 1998/09	13070KA101		
	Gasoline	KK4 SOHC	EN07E	1992/03 ~ 1998/09	13072KA073 (13072KA072)		
	Gasoline	KW3	EN07C	1992/03 ~ 1998/09	13070KA073 (13072KA072)		
	Gasoline	KW4	EN07C	1992/03 ~ 1998/09	13070KA073 (13072KA072)		
	Gasoline	KY3	EN07	1993/05 ~ 1995/09	13070KA073 (13072KA072)		

必ず、現品と添付イラストにて確認をお願いします。Please check the actual item and an attachment illustration.

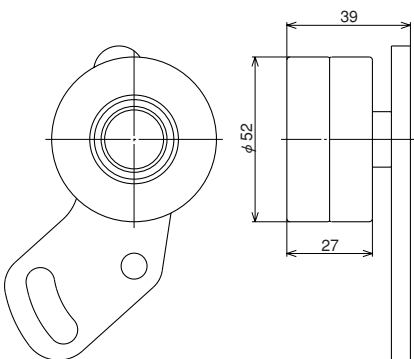
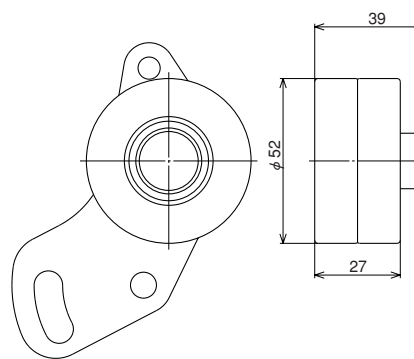
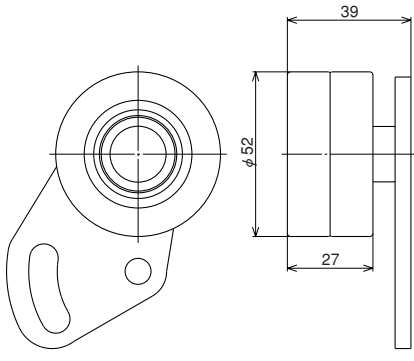
DAIHATSU
HONDA
ISUZU
MAZDA
MITSUBISHI
NISSAN
SUBARU
SUZUKI
TOYOTA

TENSIONER 2			IDLER 1			IDLER 2			
	テンショナ純正部番 OEM P/N. (互換部番) (Interchangeable OEM P/N.)	NTN品番 NTN P/N.	図番 Illustrations		アイドラ純正部番 OEM P/N. (互換部番) (Interchangeable OEM P/N.)	NTN品番 NTN P/N.	図番 Illustrations		
テンショナ純正部番 OEM P/N. (互換部番) (Interchangeable OEM P/N.)			図番 Illustrations	アイドラ純正部番 OEM P/N. (互換部番) (Interchangeable OEM P/N.)			図番 Illustrations	アイドラ純正部番 OEM P/N. (互換部番) (Interchangeable OEM P/N.)	

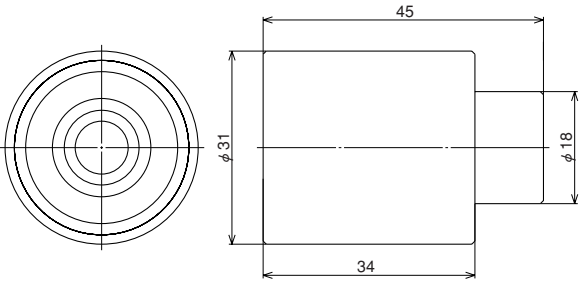
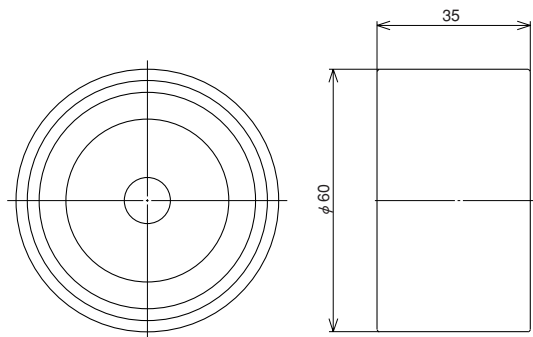
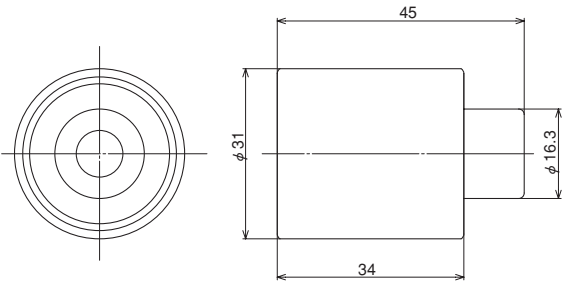
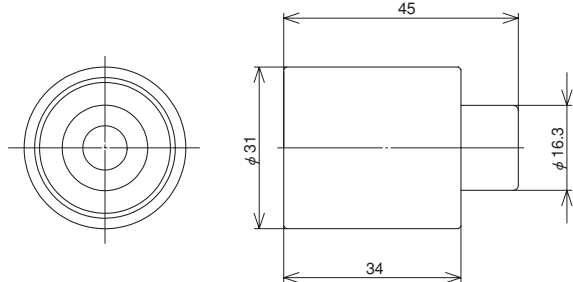
- DAIHATSU
- HONDA
- ISUZU
- MAZDA
- mitsubishi
- NISSAN
- subaru
- SUZUKI
- toyota

テンショナ図面

DAIHATSU
HONDA
ISUZU
MAZDA
MITSUBISHI
NISSAN
SUBARU
SUZUKI
TOYOTA

<p>T01 JPU52-52+JF326</p> 	<p>T02 JPU52-52+JF362</p> 
<p>T03 JPU52-9+JF119</p> 	<p>T04</p>
<p>T05</p>	<p>T06</p>
<p>T07</p>	<p>T08</p>

アイドラ図面

<p>I01 JPU31-001B-1</p> 	<p>I02 NEP60-037B-1P</p> 
<p>I03 NEP31-003B-2</p> 	<p>I04 NEP31-003B-4</p> 
<p>I05</p>	<p>I06</p>
<p>I07</p>	<p>I08</p>

DAIHATSU

HONDA

ISUZU

MAZDA

MITSUBISHI

NISSAN

SUBARU

SUZUKI

TOYOTA