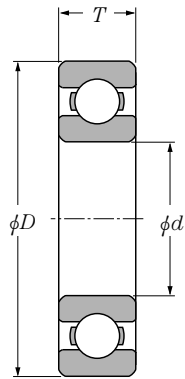


Dimension Tables

寸法表

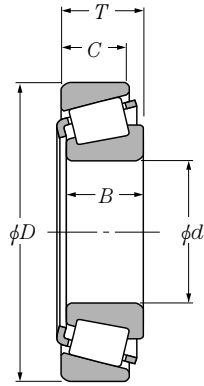
INDEX

Deep Grooved Ball Bearings	2
Tapered Roller Bearings	3
Angular Unit Bearings	4
Tapered Roller Unit Bearings	5
Hub Bearings	6

deep Grooved Ball Bearings


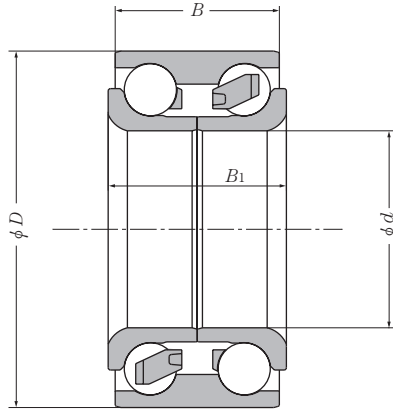
NTN P/N (Bearing Numbers)	d	D	T	Seal
3TM-6205EX3X13PX#01 (3TM-6205EX3X13PX17/5AQ5)	25	52	15	NO
4TM-6TA-6307AEX1#13 (4TM-6TA-6307AEX1X42LULHC4PX10/L588Q8)	35	80	21	YES
4TM-6TA-SX07D60L#01 (4TM-6TA-SX07D60LZC4PX1/L588)	35	80	29.5	YES
6008C3/2AS	40	68	15	NO
6204JRPX15/5AQ22	20	47	14	NO
6205X13PX17/5AQ5	25	52	15	NO
6206C3/5AQ14	30	62	16	NO
6206LLSX4C4/5AQ5	30	62	16	YES
6206LUC4/5AQ5	30	62	16	YES
6305C4	25	62	17	NO
6305CS10PX7	25	62	17	NO
6306BLLU/32C4/5AQ2	32	72	19	YES
TMB007LSCS28/2AS	35	62	14	YES
TMB305PX3/L102Q1	25	62	17	NO
TM-SC0791LC4/5A	35	72	24	YES

Tapered Roller Bearings



NTN P/N (Bearing Numbers)	d	D	T	B	C
32012XU	60	95	23	23	17.5
33013A	65	100	27	26	22
4T-14137A/14276V1	34.925	69.012	19.845	19.583	15.875
4T-30203	17	40	13.25	12	11
4T-30208	40	80	19.75	18	16
4T-32007X	35	62	18	18	14
4T-32009X	45	75	20	20	15.5
4T-32011X	55	90	23	23	17.5
4T-32208	40	80	24.75	23	19
4T-32305	25	62	25.25	24	20
4T-33110X2	50	85	26	26	20
4T-L45449/L45410	29	50.292	14.224	14.732	10.668
4T-LM11749/LM11710	17.462	39.878	13.843	14.605	10.668
4T-LM11949/LM119#09 (4T-LM11949/LM11910V4)	19.05	45.237	15.494	16.637	12.065
4T-LM300849/LM30#01 (4T-LM300849/LM300811)	40.988	67.975	17.5	18	13.5
4T-LM48548/LM485#01 (4T-LM48548/LM48510V1)	34.925	65.088	18.034	18.288	13.97
4T-LM48548/LM48510	34.925	65.088	18.034	18.288	13.97
4T-LM67048/LM67010	31.75	59.131	15.875	16.764	11.811
4T-M12649/M12610	21.43	50.005	17.526	18.288	13.97
ET-33011	55	90	27	27	21
ET-33013	65	100	27	27	21
ETA-LM102949/LM1#08 (ETA-LM102949/LM102910V5)	45.242	73.431	19.558	19.812	15.748
ET-L44649/L44610#01 (ET-L44649/L44610STV4)	26.988	50.292	14.224	14.732	10.668
ET-LM11749/LM117#02 (ET-LM11749/LM11710STV4)	17.462	39.878	13.843	14.605	10.668
ET-LM11949/LM119#02 (ET-LM11949/LM11910V2)	19.05	45.237	15.494	16.637	12.065

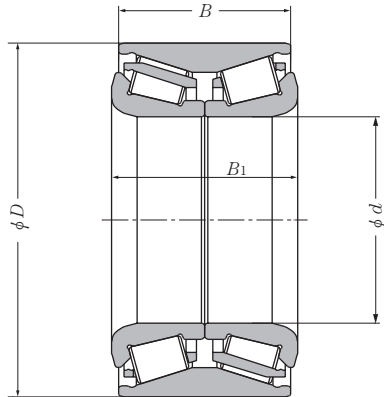
Angular Unit Bearings



NTN P/N (Bearing Numbers)	d	D	B	B_1	Seal
2B-DE07A34CS30/L260	36	65	37	37	NO
2B-DE08A33CS38PX#02 (2B-DE08A33CS38PX1/L260)	38	74	33	36	NO
2B-DE1015LLCS74P#01 (2B-DE1015LLCS74PX1/L260)	48	89	42	44	YES
7B-DE08A32LLX3CS#01 (7B-DE08A32LLX3CS30/L260)	38	70	38	38	YES
AU0603-2LLX/L260	32	67	40	40	YES
AU0605-1LXL/L588	32	73	40	40	YES
AU0606-1LXL/L588	32	67	40	40	YES
AU0607-2LL/L588	30	62	40	40	YES
AU0607-2LXL/L588	30	62	40	40	YES
AU0701-4LL/L588	34	64	37	37	YES
AU0704-2LLX2/L588	35	64	37	37	YES
AU0714-2LX3L/L588	37	70	40	40	YES
AU0716-2LL/L588	35	65	37	37	YES
AU0716-2LX5L/L588	35	65	37	37	YES
AU0801-3LLX/L588	42	80	45	45	YES
AU0804-5LL/L588	42	80	45	45	YES
AU0810-1LXL/L260	38	72	40	40	YES
AU0811-6LXL/L588	38	73	40	40	YES
AU0814-1LLX/L260	38	74	36	36	YES
AU0817-5LL/L260	40	74	36	36	YES
AU0818-1LXL/L260	38	74	40	40	YES
AU0822-2LL/L588	40	80	40	40	YES
AU0826-1LL/L588	38	79	45	45	YES
AU0827-4/L588	38	65	48	52	NO
AU0831-2LX3LX4/L588	40	76	38	38	YES
AU0901-4LXL/L260	45	84	40	42	YES
AU0907-7LXL/L588	43	79	38	41	YES
AU0908-2LL/L260	43	76	43	43	YES
AU0908-3LL/L260	43	76	43	43	YES
AU0911-3LL/L260	43	79	45	45	YES
AU0920-1LXL/L588	43	79	38	41	YES
AU0925-1LL/L588	45	83	45	45	YES
AU1001-2LXL/L260	48	89	42	44	YES
AU1006-1LX2L/L588	48	86	40	42	YES
DE0565LZCS34PX1/#05 (DE0565LZCS34PX1/L244)	27	60	50	50	YES
DE0690LZCS12PX1/#01 (DE0690LZCS12PX1/L244)	30	68	45	45	YES

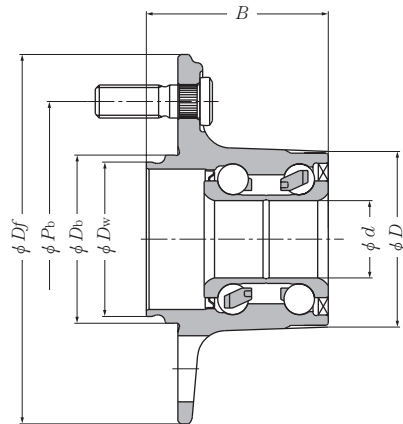
NTN P/N (Bearing Numbers)	d	D	B	B_1	Seal
DE0745LLCS32PX1/5A	34	68	36	37	YES
DE0829LLCS32PX1/5A	42	78	38	41	YES
DE0871LLCS26PX1/#01 (DE0871LLCS26PX1/L260)	38	72	40	40	YES
DE0891LLCS32PX2/5A	40	76	38	41	YES
DE0892LLCS43/L244	38	74	50	50	YES
DE08A06LLCS58PX1/5A	42	78	38	38	YES
DE0962LLCS70PX2/5A	44	84	40	42	YES
DE0978LLCS64PX1/#01 (DE0978LLCS64PX1/L260)	44	84	40	42	YES

Tapered Roller Unit Bearings



NTN P/N (Bearing Numbers)	d	D	B	B_1	Seal
4T-CR1-0569CS83/5A (4T-CRI-0569CS83/5A)	27	52	43	45	NO
4T-CR1-0685CS110 (4T-CRI-0685CS110)	32	58	57	65	NO
4T-CR1-0822LLCS1#03 (4T-CRI-0822LLCS150/L260)	42	72	38	38	YES
4T-CR1-0822LLXCS#05 (4T-CRI-0822LLXCS145/L260)	42	72	38	38	YES
4T-CR1-0823CS113#01 (4T-CRI-0823CS113/L244)	42	72	35	38	NO
4T-CR1-0881 (4T-CRI-0881)	42	72	35	38	NO
4T-CR1-08A01CS11#01 (4T-CRI-08A01CS110/L244)	42	72	35	38	NO
4T-CR1-08A02CS96#01 (4T-CRI-08A02CS96/L244)	42	72	50	52	NO
4T-CR1-08A05CS95#01 (4T-CRI-08A05CS95/L244)	38	65	48	52	NO
4T-CR1-08A24CS17#01 (4T-CRI-08A24CS175/L260)	42	80	38	38	NO
4T-CR1-0966CS130#02 (4T-CRI-0966CS130PX1/L260)	45	90	51	54	NO
4T-CR1-0988LLXCS#01 (4T-CRI-0988LLXCS98/L260)	46	78	49	49	YES
4T-CR1-0992CS136#01 (4T-CRI-0992CS136/L260)	46	77	41	45	NO
4T-CR1-0994CS176#01 (4T-CRI-0994CS176/L260)	46	80	40	43	NO
ET-CR1-0678LLCS7#02 (ET-CRI-0678LLCS70/L260)	30	58	42	42	YES
ET-CR1-0787LLCS9#03 (ET-CRI-0787LLCS90/L260)	36	64	42	42	YES
TU0807-1/L244	40	80	38	38	NO
TU0808-1/L260	38	76	40	43	NO
TU0812-5/L244	42	72	35	38	NO
TU0813-1/L260	42	80	38	38	NO
TU0902-2/L260	43	73	41	45	NO
TU0904-1/L260	43	76	40	43	NO

Hub Bearings



NTN P/N	d	D	B	D_t	D_w	D_b	P_b	Seal	Bolt
HUB002-6	25	61	61	134	56	61	100	YES	4
HUB005-36	30	67	66	136	56	51	100	YES	4
HUB005-65	30	67	66	136	56	61	100	YES	4
HUB005-66	30	67	66	136	56	61	100	YES	4
HUB008-52	28	63.5	61	134	56	61	100	YES	4
HUB008-71	28	63.5	61	134	56	61	100	YES	4
HUB008-72	28	63.5	61	134	56	61	100	YES	4
HUB008-73	28	63.5	61	134	56	61	100	YES	4
HUB008-75	28	63.5	61	134	56	61	100	YES	4
HUB028-16	34	72	70	139	64	64	114.3	YES	4
HUB038-31	30	64.5	79	126	56	58	110	YES	5
HUB053-72	30	66	69.5	122	54	55	100	YES	4
HUB053-73	30	66	69.5	122	54	55	100	YES	4
HUB053-74	30	66	69.5	122	54	55	100	YES	4
HUB055-27	28	62	67.5	122	54	55	100	YES	4
HUB065-15	28	64	67.5	134	60	64	114.3	YES	4
HUB066-69	33	73	73.5	140	67	72	114.3	YES	5
HUB066-70	33	73	73.5	140	67	72	114.3	YES	5
HUB066-71	33	73	73.5	140	67	72	114.3	YES	5
HUB076-9	25	61	66	122	59	60	100	YES	4
HUB082-18	30	67	71.2	139	64	64	114.3	YES	4
HUB083-30	30	67	67.5	152	64	64	114.3	YES	4
HUB083-64	30	67	67.5	152	64	64	114.3	YES	4
HUB083-65	30	67	67.5	152	64	64	114.3	YES	4
HUB091-18	38	76	77	146.5	70	70	114.3	YES	5
HUB094-18	34	72	67.5	152	64	64	114.3	YES	4
HUB094-19	34	72	67.5	152	64	64	114.3	YES	4
HUB094-25	34	72	67.5	152	64	64	114.3	YES	4
HUB109-2	25	62	66	134	60	64	114.3	YES	4
HUB112-1	30	67	82.5	152	64	64	114.3	YES	4
HUB112-14	30	67	82.5	152	64	64	114.3	YES	5
HUB112-17	30	67	82.5	152	64	64	114.3	YES	4
HUB112-2	30	67	82.5	152	64	64	114.3	YES	4
HUB122-12	30	66	70.5	140	67	72	114.3	YES	5
HUB122-4	30	66	70.5	140	67	72	114.3	YES	5
HUB142-10	34	74	75	146.5	64	70	114.3	YES	5
HUB142-11	34	74	75	146.5	64	70	114.3	YES	5
HUB150-5	34	74	75	146.5	64	70	114.3	YES	5
HUB155-13	30	67	66.5	136	56	61	100	YES	4
HUB155-14	30	67	66.5	136	56	61	100	YES	4

NTN P/N	d	D	B	D_f	D_w	D_b	P_b	Seal	Bolt
HUB156-37	30	67	68.5	152	64	64	114.3	YES	4
HUB156-39	30	67	68.5	152	64	64	114.3	YES	5
HUB167-9	30	67	67.5	152	64	64	114.3	YES	5
HUB181-31	30	67	68.5	152	64	64	114.3	YES	4
HUB186-6	30	67	68.5	139	64	64	114.3	YES	5
HUB186-7	30	67	68.5	139	64	64	114.3	YES	5
HUB195-12	30	67	68.5	152	64	64	114.3	YES	5
HUB195-7	30	67	68.5	152	64	64	114.3	YES	5
HUB199-23	30	67	83.5	152	64	64	114.3	YES	5
HUB200-10	28	62	67.3	122	54	55	100	YES	4
HUB215-9	30	71	68.5	152	64	64	114.3	YES	5
HUB226-12	36	80	79.7	140	67	72	114.3	YES	5
HUB227-23	30	67	67.5	139	56	61	100	YES	4
HUB227-26	30	67	67.5	139	56	61	100	YES	4
HUB249-4	34	74	75	146.5	64	64	114.3	YES	5
HUB254-19	28	64	65.5	130	54	58	100	YES	4
HUB254-20	28	64	65.5	130	54	58	100	YES	4
HUB283-6	30	71	68.5	139.5	64	64	114.3	YES	5
HUB298-2	34	74	75	146.5	64	64	114.3	YES	5