



Miniature ball screws



“SD” Miniature screw

Smooth running and excellent backdriving with the new SD internal recirculation nut.

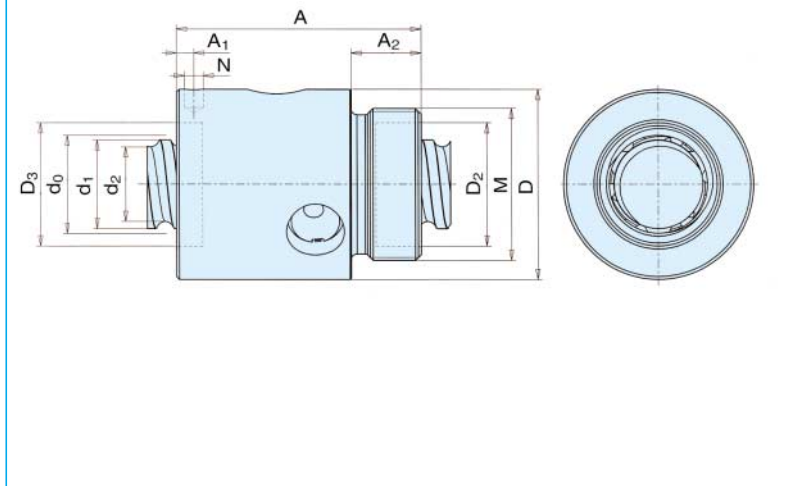


- Nominal diameter
8 to 16 mm
- Lead
2 to 5 mm
- Cylindrical nut with threaded end : easy mounting
- Better nut geometry
- Less sensitive to misalignment
- Excellent repeatability : high positioning quality
- Internal recirculation with inserts : smoother running, good backdriving and improved security
- Higher dynamic load capacities than the SH screw (+25%)
- Greatly reduced noise
- Optional safety device (*) : 12x4R - 14x4R - 16x5R
- Optional wipers (*) : 8x2,5R - 10x2R - 12x4R - 16x5R
- Corrosion resistant screw shaft available on request
- Customised nuts with 2 to 6 circuits available for more than 1.000 pieces.

(*) It is not possible to supply safety device and wipers in the same nut.

Technical data

Nominal diameter	Right hand lead	Length maximum	Basic load ratings		Number of circuits of balls	Maximum axial play	Reduced maximum axial play (on request)	Mass of nut	Mass of screw shaft	Inertia of one metre of screw shaft	Designation
			dynamic	static							
d ₀	P _h		C _a	C _{0a}							
mm	mm	mm	kN		—	mm		kg	kg/m	kgmm ²	
8	2,5	1050	2,2	2,6	3	0,07	0,03	0,025	0,32	2,1	SD 8x2,5 R
10	2	1050	2,5	3,5	3	0,07	0,03	0,030	0,51	5,2	SD 10x2 R
12	2	2100	2,4	3,4	3	0,07	0,03	0,023	0,67	10	SD 12x2 R
12	4	2100	5	6,5	3	0,07	0,03	0,066	0,71	10,8	SD 12x4 R
14	4	2100	6	9	3	0,07	0,03	0,083	1,05	22	SD 14x4 R
16	5	2100	7,6	10,5	3	0,07	0,03	0,135	1,30	33,9	SD 16x5 R



Designation	Screw shaft		Nut		Without wiper	With wiper	Tightening spanner (FACOM)	N	A ₁ ± 0,2	Without wiper		
	d ₂	d ₁	D h10	M 6g	A +/- 0,3	A ₂				D ₂	D ₃	
— mm												
SD 8x2,5 R	6,3	7,6	17,5	M15x1	23,5	23,5	7,5	126-A35	3,2	3	11,1	11,1
SD 10x2 R	8,3	9,5	19,5	M17x1	22	22	7,5	126-A35	3,2	3	13,3	13,3
SD 12x2 R	9,8	11,2	20	M18x1	20	-	8	126-A35	3,2	3	13,2	-
SD 12x4 R	9,4	11,3	25,5	M20x1	34	34	10	126-A35	3,2	3	-	16,1
SD 14x4 R	11,9	13,7	29	M22x1,5	30	-	10	126-A35	3,2	3	-	-
SD 16x5 R	12,7	15,2	32,5	*M26x1,5	42	42	12	126-A35	3,2	3	21,1	21,1

* Note : This thread is non standard, a special locknut can be developed on request.



SKF Guiding Systems



SKF Ball & Roller Screws



SKF Actuators

SKF Linear Motion has **three product lines** and a **specialized sales organisation** covering Europe and North America. To supplement the linear product range, Linear Motion also offers an extensive assortment of industrial products. Moreover, the product availability as well as the product application is **provided world-wide by the international SKF Bearing network**. To get any other SKF address all over the world, please contact one of the companies below.

EUROPE

Austria
Linear Motion
 SKF Österreich AG
 Phone : +43 22 36 6709-0
 Fax : +43 22 36 6709-220
 E.mail : multitec.austria@skf.com

Benelux
SKF Multitec Benelux B.V.
 Phone : +31 030 6029034
 Fax : +31 030 6029028
 Sales Office Belgium/Luxembourg:
 Phone : +32 2 5024270
 Fax : +32 2 5027336
 E.mail : multitec_benelux@skf.com

France
SKF Equipements
 Phone : +33 1 30 12 73 00
 Fax : +33 1 30 12 69 09
 E.mail : equipements.france@skf.com

Germany
SKF Linearsysteme GmbH
 Phone : +49 9721 657-0
 Fax : +49 9721 657-111
 E.mail : lin.sales@skf.com
 http://www.linearsysteme.skf.de

Italy
SKF Multitec S.p.a.
 Phone : +39 011 57 17 61
 Fax : +39 011 57 17 633
 E.mail : multitec.italy@skf.com

Spain
SKF Productos Industriales S.A.
 Phone : +34 93 377 99 77
 +34 93 377 99 07
 Fax : +34 93 474 20 39
 E.mail : prod.ind@skf.com
 http://www.linearmotion.skf.com

Switzerland
SKF Schweiz
 Phone : +41 1 825 81 81
 Fax : +41 1 825 82 82
 E.mail : skf.schweiz@skf.com

Nordic area
SKF Multitec Sweden
 Phone : +46 42 25 35 00
 Fax : +46 42 25 35 45/46
 http://www.multitec.skf.com
 E.mail : multitec.nordic@skf.com

Sales Office Norway
 Phone : +47 22 30 71 70
 Telex : +47 22 30 28 14

Sales Office Denmark
 Phone : +45 65 92 77 77
 Fax : +45 65 92 74 77

Sales Office Finland
 Phone : +358 94 52 97 54
 Fax : +358 94 12 77 65

United Kingdom
SKF Engineering Products Ltd.
 Phone : 0044 01582 490049
 Fax : 0044 01582 496574
 E.mail : skf.epi@skf.com

AMERICAS

SKF Motion Technologies
 Phone : +1 610 861-4800
 Toll free : +1 800 541-3624
 Fax : +1 610 861-4811
 E.mail : motiontech.usa@skf.com

ALL OTHER COUNTRIES

Strategic Markets
SKF Equipments
 Phone : +33 1 30 12 68 52
 Fax : +33 1 30 12 68 59
 E.mail : strategicmarkets.lmpt@skf.com

<http://www.linearmotion.skf.com>

Publication SD
 September 2003
 © Copyright SKF 2003

The contents of this leaflet are the copyright of the publishers and may not be reproduced (even extracts) unless permission is granted. Every care has been taken to ensure the accuracy of the information contained in this catalogue but no liability can be accepted for any errors or omissions. Earlier catalogues the data in which deviate from those given here, are rendered invalid. The right is reserved to make changes necessitated by technological developments.

