



BHTS ZZ GR CG 350°

Ball Bearings for Extreme Temperature

The BHTS ZZ GR CG 350° ball bearings are designed on the dimensions of a standard bearing but with treatments of stabilisation, surface treatment, radial clearance and a special full complement cage made from graphite, which make them suitable for operation from -50° to +350°. Their recommended range of application is only between 280° and 350°. The main feature of these bearings is to work in total absence of any kind of grease because the lubrication is directly from the graphite cage, which makes them "green" through lack of operating any type of issue could harm environment.

Technical characteristics:

Material Steel AISI 52100 (Chrome) stabilized to the application
Treatment of manganese phosphate coating on all steel parts
Radial Clearance 4xC5
Lamination Steel type ZZ
In one piece graphite cage (coronet cage)

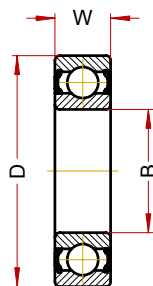
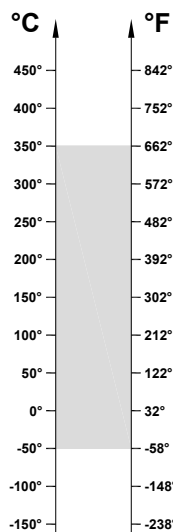
Fields of application:

Paint Ovens
Steel Industry
Furnaces for Ceramic Industry
Trolley Industry, Brick Kilns



BHTS ZZ GR CG 350° (6000 Serie)

Ball Bearings for Extreme Temperature



OPERATING RANGE: -50° / 350°C

ECONOMIC OPERATING RANGE: 250° / 350°C

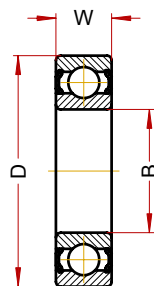
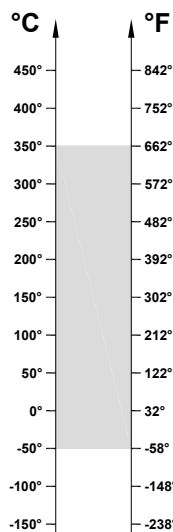
Designation	Bore (B)	Diam (D)	Widht (W)	Weight g	Speed RPM/min (*)	Static Load, kN at 350°	Static Load, kN at 20°
6000 BHTS ZZ GR CG 350°	10	26	8	20	90	1,35	1,96
6001 BHTS ZZ GR CG 350°	12	28	8	25	85	1,63	2,36
6002 BHTS ZZ GR CG 350°	15	32	9	30	80	1,97	2,85
6003 BHTS ZZ GR CG 350°	17	35	10	40	75	2,24	3,25
6004 BHTS ZZ GR CG 350°	20	42	12	69	70	3,45	5
6005 BHTS ZZ GR CG 350°	25	47	12	80	65	4,03	5,85
6006 BHTS ZZ GR CG 350°	30	55	13	120	60	5,52	8
6007 BHTS ZZ GR CG 350°	35	62	14	160	55	7,17	10,4
6008 BHTS ZZ GR CG 350°	40	68	15	190	50	8,14	11,8
6009 BHTS ZZ GR CG 350°	45	75	16	250	45	9,86	14,3
6010 BHTS ZZ GR CG 350°	50	80	16	260	40	10,76	15,6
6011 BHTS ZZ GR CG 350°	55	90	18	390	40	14,62	21,2
6012 BHTS ZZ GR CG 350°	60	95	18	420	40	16	23,2
6013 BHTS ZZ GR CG 350°	65	100	18	440	40	17,24	25
6014 BHTS ZZ GR CG 350°	70	110	20	600	40	21,72	31,5
6015 BHTS ZZ GR CG 350°	75	115	20	640	40	23,45	34

OPERATING RANGE is the correct technical range in which can be used the bearing with good operating result.

ECONOMIC OPERATING RANGE is the range of temperature in which you can find, according to our study experience and know-how, the better relation price - quality life-time.

BHTS ZZ GR CG 350° (6200 Serie)

Ball Bearings for Extreme Temperature



OPERATING RANGE: -50° / 350°C

ECONOMIC OPERATING RANGE: 250° / 350°C

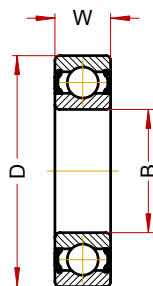
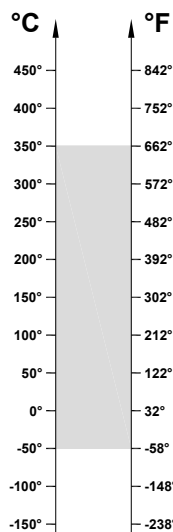
Designation	Bore (B)	Diam (D)	Widht (W)	Weight g	Speed RPM/min (*)	Static Load, kN at 350°	Static Load, kN at 20°
6200 BHTS ZZ GR CG 350°	10	30	9	30	90	1,79	2,6
6201 BHTS ZZ GR CG 350°	12	32	10	37	85	2,14	3,1
6202 BHTS ZZ GR CG 350°	15	35	11	45	80	2,59	3,75
6203 BHTS ZZ GR CG 350°	17	40	12	65	75	3,27	4,75
6204 BHTS ZZ GR CG 350°	20	47	14	110	70	4,52	6,55
6205 BHTS ZZ GR CG 350°	25	52	15	130	65	5,52	8
6206 BHTS ZZ GR CG 350°	30	62	16	200	60	7,72	11,2
6207 BHTS ZZ GR CG 350°	35	72	17	290	55	10,55	15,3
6208 BHTS ZZ GR CG 350°	40	80	18	370	50	12,41	18
6209 BHTS ZZ GR CG 350°	45	85	19	410	45	14,06	20,4
6210 BHTS ZZ GR CG 350°	50	90	20	460	40	16,55	24
6211 BHTS ZZ GR CG 350°	55	100	21	610	40	20	29
6212 BHTS ZZ GR CG 350°	60	110	22	780	40	24,83	36
6213 BHTS ZZ GR CG 350°	65	120	23	990	40	28,62	41,5
6214 BHTS ZZ GR CG 350°	70	125	24	1040	40	30,34	44
6215 BHTS ZZ GR CG 350°	75	130	25	1210	40	33,79	49

OPERATING RANGE is the correct technical range in which can be used the bearing with good operating result.

ECONOMIC OPERATING RANGE is the range of temperature in which you can find, according to our study experience and know-how, the better relation price - quality life-time.

BHTS ZZ GR CG 350° (6300 Serie)

Ball Bearings for Extreme Temperature



OPERATING RANGE: -50° / 350°C

ECONOMIC OPERATING RANGE: 250° / 350°C

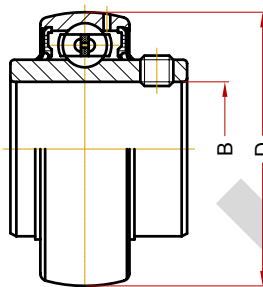
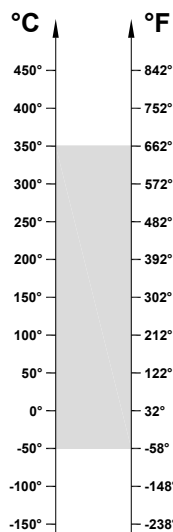
Designation	Bore (B)	Diam (D)	Widht (W)	Weight g	Speed RPM/min (*)	Static Load, kN at 350°	Static Load, kN at 20°
6300 BHTS ZZ GR CG 350°	10	35	11	52	90	2,38	3,45
6301 BHTS ZZ GR CG 350°	12	37	12	60	85	2,86	4,15
6302 BHTS ZZ GR CG 350°	15	42	13	80	80	3,72	5,4
6303 BHTS ZZ GR CG 350°	17	47	14	120	75	4,52	6,55
6304 BHTS ZZ GR CG 350°	20	52	15	140	70	5,86	8,5
6305 BHTS ZZ GR CG 350°	25	62	17	225	65	7,86	11,4
6306 BHTS ZZ GR CG 350°	30	72	19	350	60	11,24	16,3
6307 BHTS ZZ GR CG 350°	35	80	21	450	55	13,10	19
6308 BHTS ZZ GR CG 350°	40	90	23	620	50	17,24	25
6309 BHTS ZZ GR CG 350°	45	100	25	830	45	22,06	32
6310 BHTS ZZ GR CG 350°	50	110	27	1050	40	26,20	38
6311 BHTS ZZ GR CG 350°	55	120	29	1350	40	32,76	47,5
6312 BHTS ZZ GR CG 350°	60	130	31	1700	40	35,86	52
6313 BHTS ZZ GR CG 350°	65	140	33	2100	40	41,38	60
6314 BHTS ZZ GR CG 350°	70	150	35	2500	40	46,90	68
6315 BHTS ZZ GR CG 350°	75	160	37	3000	40	52,76	76,5

OPERATING RANGE is the correct technical range in which can be used the bearing with good operating result.

ECONOMIC OPERATING RANGE is the range of temperature in which you can find, according to our study experience and know-how, the better relation price - quality life-time.

BHTS ZZ GR CG 350° (UC Serie)

Insert Bearings for Extreme Temperature



OPERATING RANGE: -50° / 350°C

ECONOMIC OPERATING RANGE: 250° / 350°C

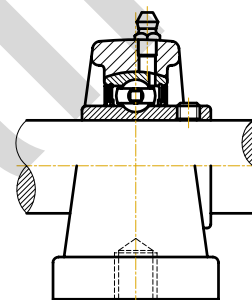
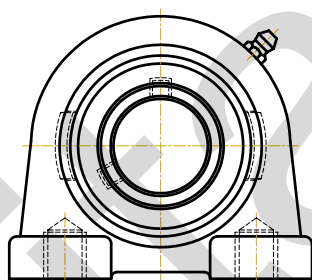
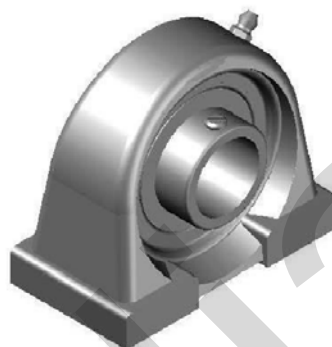
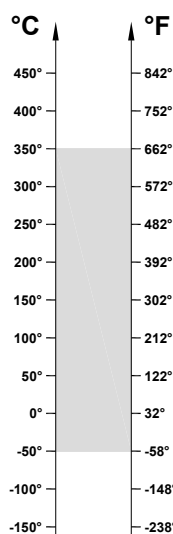
Designation	Bore (B)	Diam (D)	Speed RPM/min (*)	Static Load, kN at 350°	Static Load, kN at 20°
UC 201 BHTS ZZ GR CG 350°	12	47	85	4,55	6,6
UC 202 BHTS ZZ GR CG 350°	15	47	80	4,55	6,6
UC 203 BHTS ZZ GR CG 350°	17	47	75	4,55	6,6
UC 204 BHTS ZZ GR CG 350°	20	47	70	4,55	6,6
UC 205 BHTS ZZ GR CG 350°	25	52	65	5,39	7,8
UC 206 BHTS ZZ GR CG 350°	30	62	60	7,72	11,2
UC 207 BHTS ZZ GR CG 350°	35	72	55	10,4	15,1
UC 208 BHTS ZZ GR CG 350°	40	80	50	12,6	18,2
UC 209 BHTS ZZ GR CG 350°	45	85	45	14,2	20,6
UC 210 BHTS ZZ GR CG 350°	50	90	40	15,93	23,1
UC 211 BHTS ZZ GR CG 350°	55	100	40	20	29
UC 212 BHTS ZZ GR CG 350°	60	110	40	22,5	32,6
UC 213 BHTS ZZ GR CG 350°	65	120	40	27,45	39,8
UC 214 BHTS ZZ GR CG 350°	70	125	40	30,82	44,7
UC 215 BHTS ZZ GR CG 350°	75	130	40	33,93	49,2

OPERATING RANGE is the correct technical range in which can be used the bearing with good operating result.

ECONOMIC OPERATING RANGE is the range of temperature in which you can find, according to our study experience and know-how, the better relation price - quality life-time.

BHTS ZZ GR CG 350° (UCPA Serie)

Pillow Block for Extreme Temperature



OPERATING RANGE: -50° / 350°C

ECONOMIC OPERATING RANGE: 250° / 350°C

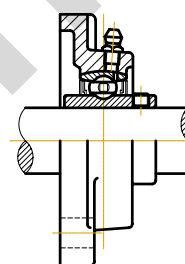
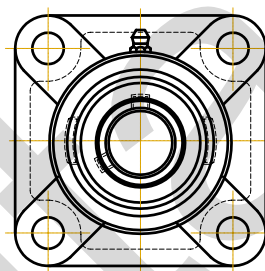
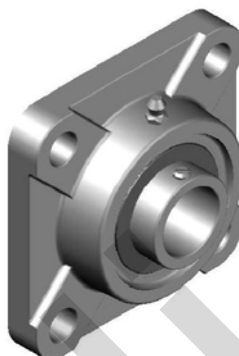
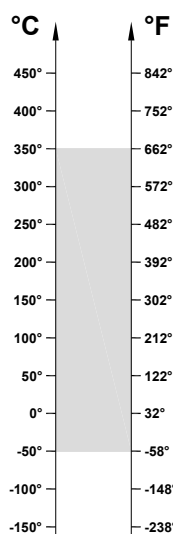
Unit code	Bearing code	Housing code
UCPA 201 BHTS ZZ GR CG 350°	UC 201 BHTS ZZ GR CG 350°	SS PA 201
UCPA 202 BHTS ZZ GR CG 350°	UC 202 BHTS ZZ GR CG 350°	SS PA 202
UCPA 203 BHTS ZZ GR CG 350°	UC 203 BHTS ZZ GR CG 350°	SS PA 203
UCPA 204 BHTS ZZ GR CG 350°	UC 204 BHTS ZZ GR CG 350°	SS PA 204
UCPA 205 BHTS ZZ GR CG 350°	UC 205 BHTS ZZ GR CG 350°	SS PA 205
UCPA 206 BHTS ZZ GR CG 350°	UC 206 BHTS ZZ GR CG 350°	SS PA 206
UCPA 207 BHTS ZZ GR CG 350°	UC 207 BHTS ZZ GR CG 350°	SS PA 207
UCPA 208 BHTS ZZ GR CG 350°	UC 208 BHTS ZZ GR CG 350°	SS PA 208
UCPA 209 BHTS ZZ GR CG 350°	UC 209 BHTS ZZ GR CG 350°	SS PA 209
UCPA 210 BHTS ZZ GR CG 350°	UC 210 BHTS ZZ GR CG 350°	SS PA 210
UCPA 211 BHTS ZZ GR CG 350°	UC 211 BHTS ZZ GR CG 350°	SS PA 211
UCPA 212 BHTS ZZ GR CG 350°	UC 212 BHTS ZZ GR CG 350°	SS PA 212
UCPA 213 BHTS ZZ GR CG 350°	UC 213 BHTS ZZ GR CG 350°	SS PA 213
UCPA 214 BHTS ZZ GR CG 350°	UC 214 BHTS ZZ GR CG 350°	SS PA 214
UCPA 215 BHTS ZZ GR CG 350°	UC 215 BHTS ZZ GR CG 350°	SS PA 215

OPERATING RANGE is the correct technical range in which can be used the bearing with good operating result.

ECONOMIC OPERATING RANGE is the range of temperature in which you can find, according to our study experience and know-how, the better relation price - quality life-time.

BHTS ZZ GR CG 350° (UCF Serie)

Pillow Block for Extreme Temperature



OPERATING RANGE: -50° / 350°C

ECONOMIC OPERATING RANGE: 250° / 350°C

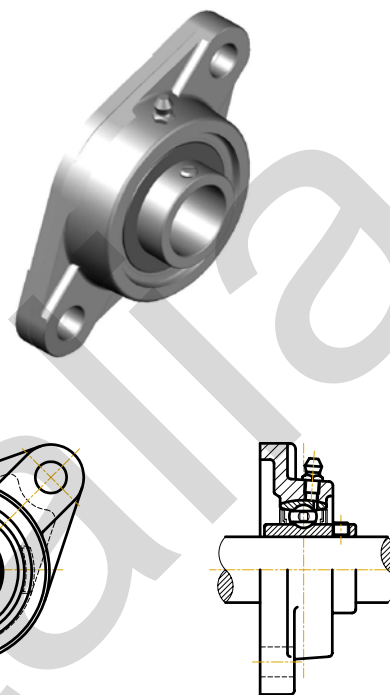
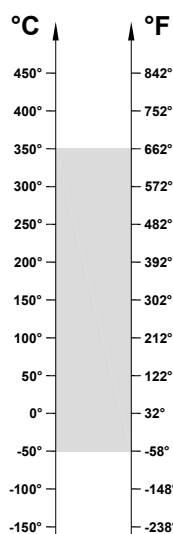
Unit code	Bearing code	Housing code
UCF 201 BHTS ZZ GR CG 350°	UC 201 BHTS ZZ GR CG 350°	SS F 201
UCF 202 BHTS ZZ GR CG 350°	UC 202 BHTS ZZ GR CG 350°	SS F 202
UCF 203 BHTS ZZ GR CG 350°	UC 203 BHTS ZZ GR CG 350°	SS F 203
UCF 204 BHTS ZZ GR CG 350°	UC 204 BHTS ZZ GR CG 350°	SS F 204
UCF 205 BHTS ZZ GR CG 350°	UC 205 BHTS ZZ GR CG 350°	SS F 205
UCF 206 BHTS ZZ GR CG 350°	UC 206 BHTS ZZ GR CG 350°	SS F 206
UCF 207 BHTS ZZ GR CG 350°	UC 207 BHTS ZZ GR CG 350°	SS F 207
UCF 208 BHTS ZZ GR CG 350°	UC 208 BHTS ZZ GR CG 350°	SS F 208
UCF 209 BHTS ZZ GR CG 350°	UC 209 BHTS ZZ GR CG 350°	SS F 209
UCF 210 BHTS ZZ GR CG 350°	UC 210 BHTS ZZ GR CG 350°	SS F 210
UCF 211 BHTS ZZ GR CG 350°	UC 211 BHTS ZZ GR CG 350°	SS F 211
UCF 212 BHTS ZZ GR CG 350°	UC 212 BHTS ZZ GR CG 350°	SS F 212
UCF 213 BHTS ZZ GR CG 350°	UC 213 BHTS ZZ GR CG 350°	SS F 213
UCF 214 BHTS ZZ GR CG 350°	UC 214 BHTS ZZ GR CG 350°	SS F 214
UCF 215 BHTS ZZ GR CG 350°	UC 215 BHTS ZZ GR CG 350°	SS F 215

OPERATING RANGE is the correct technical range in which can be used the bearing with good operating result.

ECONOMIC OPERATING RANGE is the range of temperature in which you can find, according to our study experience and know-how, the better relation price - quality life-time.

BHTS ZZ GR CG 350° (UCFL Serie)

Pillow Block for Extreme Temperature



OPERATING RANGE: -50° / 350°C

ECONOMIC OPERATING RANGE: 250° / 350°C

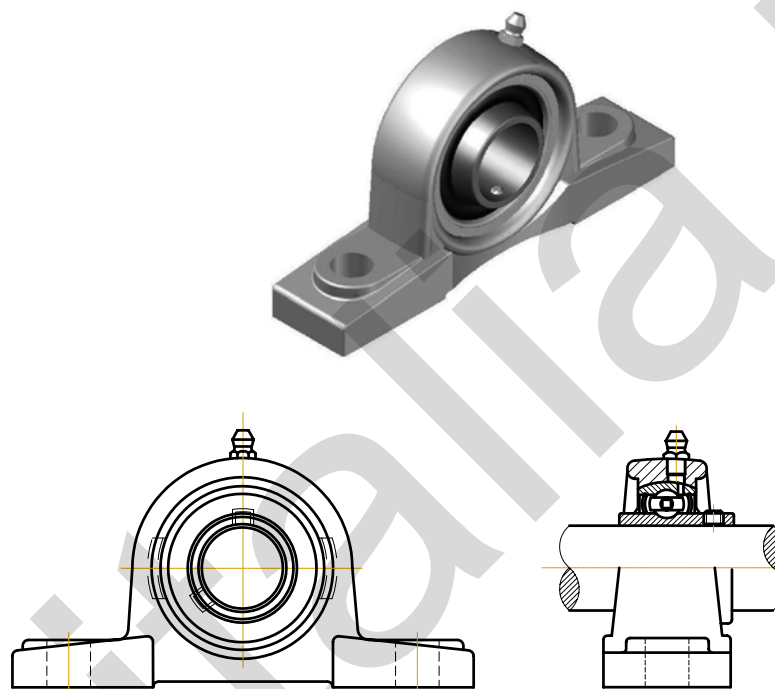
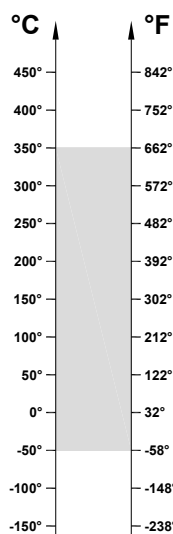
Unit code	Bearing code	Housing code
UCFL 201 BHTS ZZ GR CG 350°	UC 201 BHTS ZZ GR CG 350°	SS FL 201
UCFL 202 BHTS ZZ GR CG 350°	UC 202 BHTS ZZ GR CG 350°	SS FL 202
UCFL 203 BHTS ZZ GR CG 350°	UC 203 BHTS ZZ GR CG 350°	SS FL 203
UCFL 204 BHTS ZZ GR CG 350°	UC 204 BHTS ZZ GR CG 350°	SS FL 204
UCFL 205 BHTS ZZ GR CG 350°	UC 205 BHTS ZZ GR CG 350°	SS FL 205
UCFL 206 BHTS ZZ GR CG 350°	UC 206 BHTS ZZ GR CG 350°	SS FL 206
UCFL 207 BHTS ZZ GR CG 350°	UC 207 BHTS ZZ GR CG 350°	SS FL 207
UCFL 208 BHTS ZZ GR CG 350°	UC 208 BHTS ZZ GR CG 350°	SS FL 208
UCFL 209 BHTS ZZ GR CG 350°	UC 209 BHTS ZZ GR CG 350°	SS FL 209
UCFL 210 BHTS ZZ GR CG 350°	UC 210 BHTS ZZ GR CG 350°	SS FL 210
UCFL 211 BHTS ZZ GR CG 350°	UC 211 BHTS ZZ GR CG 350°	SS FL 211
UCFL 212 BHTS ZZ GR CG 350°	UC 212 BHTS ZZ GR CG 350°	SS FL 212
UCFL 213 BHTS ZZ GR CG 350°	UC 213 BHTS ZZ GR CG 350°	SS FL 213
UCFL 214 BHTS ZZ GR CG 350°	UC 214 BHTS ZZ GR CG 350°	SS FL 214
UCFL 215 BHTS ZZ GR CG 350°	UC 215 BHTS ZZ GR CG 350°	SS FL 215

OPERATING RANGE is the correct technical range in which can be used the bearing with good operating result.

ECONOMIC OPERATING RANGE is the range of temperature in which you can find, according to our study experience and know-how, the better relation price - quality life-time.

BHTS ZZ CG 350° (UCP Serie)

Pillow Block for Extreme Temperature



OPERATING RANGE: -50° / 350°C

ECONOMIC OPERATING RANGE: 250° / 350°C

Unit code	Bearing code	Housing code
UCP 201 BHTS ZZ GR CG 350°	UC 201 BHTS ZZ GR CG 350°	SS P 201
UCP 202 BHTS ZZ GR CG 350°	UC 202 BHTS ZZ GR CG 350°	SS P 202
UCP 203 BHTS ZZ GR CG 350°	UC 203 BHTS ZZ GR CG 350°	SS P 203
UCP 204 BHTS ZZ GR CG 350°	UC 204 BHTS ZZ GR CG 350°	SS P 204
UCP 205 BHTS ZZ GR CG 350°	UC 205 BHTS ZZ GR CG 350°	SS P 205
UCP 206 BHTS ZZ GR CG 350°	UC 206 BHTS ZZ GR CG 350°	SS P 206
UCP 207 BHTS ZZ GR CG 350°	UC 207 BHTS ZZ GR CG 350°	SS P 207
UCP 208 BHTS ZZ GR CG 350°	UC 208 BHTS ZZ GR CG 350°	SS P 208
UCP 209 BHTS ZZ GR CG 350°	UC 209 BHTS ZZ GR CG 350°	SS P 209
UCP 210 BHTS ZZ GR CG 350°	UC 210 BHTS ZZ GR CG 350°	SS P 210
UCP 211 BHTS ZZ GR CG 350°	UC 211 BHTS ZZ GR CG 350°	SS P 211
UCP 212 BHTS ZZ GR CG 350°	UC 212 BHTS ZZ GR CG 350°	SS P 212
UCP 213 BHTS ZZ GR CG 350°	UC 213 BHTS ZZ GR CG 350°	SS P 213
UCP 214 BHTS ZZ GR CG 350°	UC 214 BHTS ZZ GR CG 350°	SS P 214
UCP 215 BHTS ZZ GR CG 350°	UC 215 BHTS ZZ GR CG 350°	SS P 215

OPERATING RANGE is the correct technical range in which can be used the bearing with good operating result.

ECONOMIC OPERATING RANGE is the range of temperature in which you can find, according to our study experience and know-how, the better relation price - quality life-time.