

BECO Italy

Ball bearing for high temperature

BHTS Z 320°

Only for automatic lubrication

The BHTS Z 320° ball bearings are designed on the dimensions of a standard bearing but with treatments of stabilisation, surface treatment, radial clearance, and molybdenum grease that make them suitable for operation from -30° to +320°. Their recommended range of application is only between 280° and 320°. The BHTS Z 320° bearings are open on one side and protected by sheet steel type Z on the opposite side. They require frequent additional lubrication with oil for high temperatures. Until the end of the 1980's, greases suitable at operating at a temperature in the absence of periodic lubrication were not available, so this product was the only solution to working in high temperatures. Such greases are now available, capable of operating up to 280° and lubrication with graphite cages for temperature up to 350°. Therefore this type of bearing now has a limited range of application in existing industrial plants. The lubrication with molybdenum disulphide grease makes the bearing vulnerable to oxidation resulting from the weather, so the shelf life is completely depending on the quality of maintenance performed. The BHTS Z 320° bearing has been produced for over 20 years and many customers have found that with the right balance in maintenance intervals achieve excellent results with a product that is objectively economic. Please note that the BHTS Z 320° bearing does not allow further greasing even with the same molybdenum disulphide grease. Our 20 years of experience has allowed us to identify almost exclusively as a cause of damage to the bearing, the added grease is incompatible even if of the same quality inside the bearing. The amount of grease used in the original design is calculated and this is what is needed to create the film of molybdenum on the raceway of the ball, and although visually seems to be a small quantity, is technically the optimal amount for operation.

Technical characteristics:

Material Steel AISI 52100 (Chrome) stabilized to the application
Treatment of manganese phosphate coating on all steel parts
Radial 4 times C5
Z Shield on one side
Greasing with molybdenum disulphide grease

Fields of application:

Paint Ovens
Steel Industry
Furnaces for Ceramic Industry
Trolley Industry Brick Kilns

BECO Italy

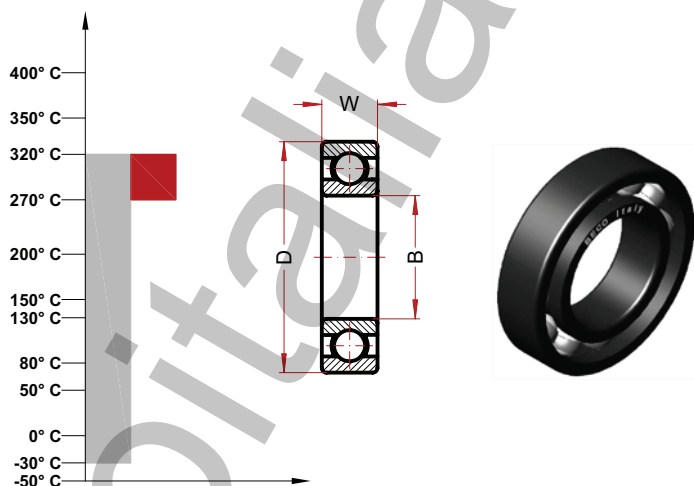
Ball bearing for high temperature

BHTS Z 320° (6000 Serie)

Only for automatic lubrication

MAX TEMP CELSIUS 320° C
MAX TEMP FAHRENHEIT 608° F

SUGGESTED RANGE 270-320° C
SUGGESTED RANGE 520-608° F



Designation	Bore (B)	Diam (D)	Widht (W)	Weight g	Speed RPM/min (*)	Static Load kN
6000 BHTS Z 320°	10	26	8	20	282	1.14
6001 BHTS Z 320°	12	28	8	25	262	1.37
6002 BHTS Z 320°	15	32	9	30	242	1.65
6003 BHTS Z 320°	17	35	10	40	222	1.88
6004 BHTS Z 320°	20	42	12	69	200	2.89
6005 BHTS Z 320°	25	47	12	80	170	3.38
6006 BHTS Z 320°	30	55	13	120	130	4.62
6007 BHTS Z 320°	35	62	14	160	110	6.01
6008 BHTS Z 320°	40	68	15	190	100	6.80
6009 BHTS Z 320°	45	75	16	250	90	8.27
6010 BHTS Z 320°	50	80	16	260	85	9.02
6011 BHTS Z 320°	55	90	18	390	75	12.26
6012 BHTS Z 320°	60	95	18	420	70	13.43
6013 BHTS Z 320°	65	100	18	440	63	14.45
6014 BHTS Z 320°	70	110	20	600	60	18.21
6015 BHTS Z 320°	75	115	20	640	56	19.65
6016 BHTS Z 320°	80	125	22	850	50	22.1
6017 BHTS Z 320°	85	130	22	890	50	23.7
6018 BHTS Z 320°	90	140	24	1150	50	27.6
6019 BHTS Z 320°	95	145	24	1200	50	29.8
6020 BHTS Z 320°	100	150	24	1250	50	29.8

Static load and max speed are calculated for the maximum temperature of application we supply this technical information only for help customer in the choice. Due the extremely difference in the condition of application. We suggest to the customer to contact our engineering service and made pratical test for check in the real condition the pratical working.

BECO Italy

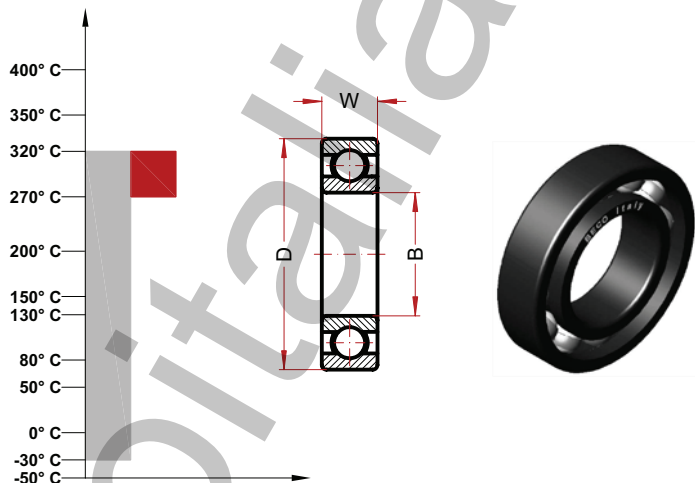
Ball bearing for high temperature

BHTS Z 320° (6000 Serie)

Only for automatic lubrication

MAX TEMP CELSIUS 320° C
MAX TEMP FAHRENHEIT 608° F

SUGGESTED RANGE 270-320° C
SUGGESTED RANGE 520-608° F



Designation	Bore (B)	Diam (D)	Widht (W)	Weight g	Speed RPM/min (*)	Static Load kN
6200 BHTS Z 320°	10	30	9	30	262	1.50
6201 BHTS Z 320°	12	32	10	37	242	1.79
6202 BHTS Z 320°	15	35	11	45	180	2.17
6203 BHTS Z 320°	17	40	12	65	175	2.75
6204 BHTS Z 320°	20	47	14	110	150	3.79
6205 BHTS Z 320°	25	52	15	130	140	4.62
6206 BHTS Z 320°	30	62	16	200	110	6.48
6207 BHTS Z 320°	35	72	17	290	100	8.50
6208 BHTS Z 320°	40	80	18	370	85	10.40
6209 BHTS Z 320°	45	85	19	410	80	11.79
6210 BHTS Z 320°	50	90	20	460	75	13.86
6211 BHTS Z 320°	55	100	21	610	67	16.90
6212 BHTS Z 320°	62	110	22	780	60	20.81
6213 BHTS Z 320°	65	120	23	990	53.2	23.99
6214 BHTS Z 320°	70	125	24	1040	50	25.43
6215 BHTS Z 320°	75	130	25	1210	50	28.32
6216 BHTS Z 320°	80	140	26	1400	50	30.3
6217 BHTS Z 320°	85	150	28	1800	50	35.3
6218 BHTS Z 320°	90	160	30	2150	50	40.5
6219 BHTS Z 320°	95	170	32	2600	50	44.9
6220 BHTS Z 320°	100	180	34	3150	50	51.3

Static load and max speed are calculated for the maximum temperature of application we supply this technical information only for help customer in the choice. Due the extremely difference in the condition of application. We suggest to the customer to contact our engineering service and made pratical test for check in the real condition the pratical working.

BECO Italy

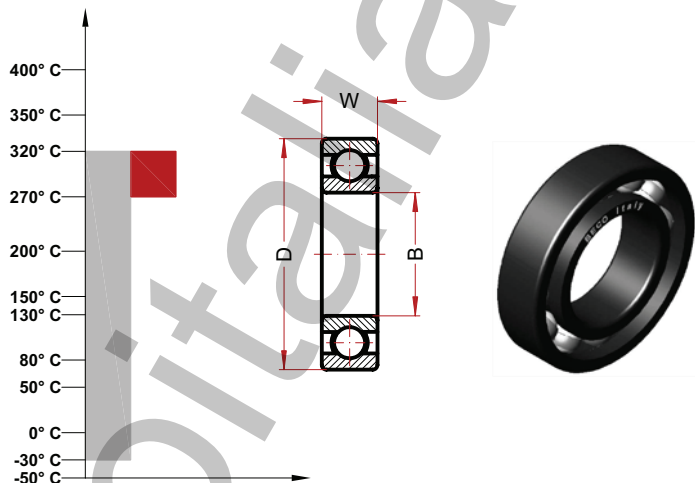
Ball bearing for high temperature

BHTS Z 320° (6000 Serie)

Only for automatic lubrication

MAX TEMP CELSIUS 320° C
MAX TEMP FAHRENHEIT 608° F

SUGGESTED RANGE 270-320° C
SUGGESTED RANGE 520-608° F



Designation	Bore (B)	Diam (D)	Widht (W)	Weight g	Speed RPM/min (*)	Static Load kN
6300 BHTS Z 320°	10	35	11	52	220	1.99
6301 BHTS Z 320°	12	37	12	60	200	2.40
6302 BHTS Z 320°	15	42	13	80	180	3.12
6303 BHTS Z 320°	17	47	14	120	160	3.79
6304 BHTS Z 320°	20	52	15	140	140	4.91
6305 BHTS Z 320°	25	62	17	225	110	6.59
6306 BHTS Z 320°	30	72	19	350	95	9.35
6307 BHTS Z 320°	35	80	21	450	85	10.98
6308 BHTS Z 320°	40	90	23	620	75	14.45
6309 BHTS Z 320°	45	100	25	830	67	18.50
6310 BHTS Z 320°	50	110	27	1050	60	21.25
6311 BHTS Z 320°	55	120	29	1350	53	27.46
6312 BHTS Z 320°	60	130	31	1700	50	30.06
6313 BHTS Z 320°	65	140	33	2100	50	34.68
6314 BHTS Z 320°	70	150	35	2500	50	39.10
6315 BHTS Z 320°	75	160	37	3000	50	44.20
6316 BHTS Z 320°	80	170	39	3600	50	47.7
6317 BHTS Z 320°	85	180	41	4250	50	53.2
6318 BHTS Z 320°	90	190	43	4900	50	59.6
6319 BHTS Z 320°	95	200	45	5650	50	65.1
6320 BHTS Z 320°	100	215	47	7000	50	77.3

Static load and max speed are calculated for the maximum temperature of application we supply this technical information only for help customer in the choice. Due the extremely difference in the condition of application. We suggest to the customer to contact our engineering service and made pratical test for check in the real condition the pratical working.