



# SKF Food Line Y-bearing units

A maintenance-free solution for wet,  
abrasive and contaminating environments





The SKF brand now stands for more than ever before, and means more to you as a valued customer.

While SKF maintains its leadership as a high-quality bearing manufacturer throughout the world, new dimensions in technical advances, product support and services have evolved SKF into a truly solutions-oriented supplier, creating greater value for customers.

These solutions enable customers to improve productivity, not only with breakthrough application-specific products, but also through leading-edge design simulation tools and consultancy services, plant asset efficiency maintenance programmes, and the industry's most advanced supply management techniques.

The SKF brand still stands for the very best in rolling bearings, but it now stands for much more.

**SKF – the knowledge engineering company**

# Contents

## A Product information

<b>SKF Food Line Y-bearing units</b> . . . . .	<b>3</b>
A maintenance-free solution for wet, abrasive and contaminating environments . . . . .	3
SKF offers a solution, with a complete assortment of SKF Food Line Y-bearing units . . . . .	5
High-performance insert bearings . . . . .	5
Innovative and effective sealing system . . . . .	6
Chemical resistance . . . . .	6
End covers . . . . .	7
High-quality, NSF H1 approved grease . . . . .	8
SKF Food Line Y-bearing units require no relubrication . . . . .	9
Housing materials . . . . .	10
Composite housing . . . . .	10
Stainless steel housing . . . . .	11
Coated cast iron housing . . . . .	11

## B Recommendations

<b>Mounting instructions</b> . . . . .	<b>12</b>
General . . . . .	12
Tools . . . . .	12
Attaching SKF Food Line Y-bearing units to the support base . . . . .	12
Shaft tolerances . . . . .	12
Limiting speeds . . . . .	13
Assembling units . . . . .	13
Mounting instructions for SKF Food Line Y-bearing units . . . . .	14
End covers . . . . .	14

## C Product data

<b>Designation systems</b> . . . . .	<b>15</b>
<b>Product tables</b> . . . . .	<b>18</b>
Composite housings . . . . .	18
Zinc coated housings . . . . .	60
Stainless steel housings . . . . .	76
Metric Y-bearings . . . . .	92
Inch Y-bearings . . . . .	94

## D Additional information

<b>SKF Food Line equivalent list, metric and inch shafts</b> . . . . .	<b>97</b>
<b>SKF – the knowledge engineering company</b> . . . . .	<b>118</b>

# SKF Food Line Y-bearing units

## A maintenance-free solution for wet, abrasive and contaminating environments

From the acidity of citrus products to the abrasiveness of bakery goods, food and beverage equipment is impacted by both the characteristics of the products being made, and the cleaning requirements of the manufacturing environment.

To prevent bacterial growth, machinery is exposed to frequent high-pressure washdowns with caustic antibacterial cleansing agents.

This process adds water and cleaning solutions to the list of contaminants that cause corrosion and accelerate bearing

failure. Because the washdowns can also wash lubricant out of the bearing cavity, frequent bearing relubrication is necessary. Environmental concerns related to lubricants and contaminants entering the waste stream must be addressed, adding to the total cost of operations.





# SKF offers a solution, with a complete assortment of SKF Food Line Y-bearing units

Innovative SKF Food Line Y-bearing unit designs eliminate the washdown related problems of corrosion, premature bearing failure and environmental impact.

## Benefits include

- Increased productivity by eliminating relubrication downtime
- Improved foreign body prevention – no dripping grease or purge contamination
- Reduced grease use and environmental impact
- Eliminated risk of lubrication points being missed through human error
- Corrosion-resistant under virtually all washdown conditions
- Improved bacteria elimination due to solid or filled base design and smooth surface finish
- Wide dimensional range (plus availability in metric and inch sizes)
- Global availability

## A choice of bearing unit designs

SKF Food Line Y-bearing units are available in a range of component designs. This enables the configuration of the bearing unit best suited for various applications and environments.

The new SKF Y-bearing unit range includes:

- Corrosion-resistant insert bearings
- Food-grade grease
- High-performance seals
- Effective end covers
- Three different housing materials:
  - Composite, with a steel coil incorporated for high dimensional stability<sup>1)</sup>, or dedicated rugged design<sup>2)</sup>
  - Cast stainless steel for heavy-duty applications
  - Zinc-coated cast iron for a cost-effective solution



## High-performance insert bearings

### Strong and corrosion-resistant

At the heart of the SKF Food Line Y-bearing unit is a high-quality, corrosion-resistant insert bearing, with bearing rings and balls available in two executions:

- Stainless steel grade 420, rings and balls
- Zinc coated high grade carbon chromium rings and high grade carbon chromium balls

Both are equipped with the same high performance sealing system (→ **fig. 1, page 6**).

### Designed for extended service life

Each of the SKF Food Line Y-bearing types is designed to be self-aligning to provide longer bearing service life. To accommodate misalignment, the concave bore of the housing is designed to accommodate the convex outside diameter of the bearing. This arrangement minimizes internal loads acting on the bearings that could result from installation errors.

The bearing inner ring is extended on both sides and is locked on the shaft with stainless steel grub screws that are positioned at 120°, minimizing inner ring distortion while maintaining good gripping strength.

Extended service life is achieved as a result of the effective sealing system, which is made of FDA approved materials and NSF approved food grade grease.



<sup>1)</sup> Applies to plummer block housings SYWK..Y, four-bolt flanged housings FYWK..Y and two bolt flanged housings FYWTK..Y  
<sup>2)</sup> Applies to housings SYWK..L, FYWK..L, FYTWK..L, SYFW..L, FYAWK..L, TUWK..L

## Innovative and effective sealing system

### Prevents contamination, retains lubrication

All SKF Food Line Y-bearing units incorporate SKF's unique "-2RF" multiple seals, which keep detergent, water and other contaminants out of the bearing cavity while keeping lubricant inside.

### Multiple barrier protection provides long bearing service life

The SKF seal arrangement is proven to be highly effective during washdowns. It consists of a multi-lip contacting and labyrinth seal supported by a stainless steel insert, a stainless steel flinger with a vulcanized rubber lip, and a rubber-backed gasket seal (→ fig. 1).

- 1 The flinger adds mechanical and centrifugal protection against contaminants entering the bearing cavity, and provides a first contacting seal with its rubberized lip acting axially against the gasket seal.
- 2 The space between the flinger rubberized lip and the gasket seal is filled with SKF food grade grease in order to provide additional protection.
- 3 Additional sealing efficiency is achieved through the labyrinths created by the flinger's external diameter and the outer ring, plus the metallic seal insert and the inner ring shoulder.

### Food compatible materials

- The flinger and the seal's contacting lips are made of an FDA approved rubber compound.
- The space between the insert seal and the flinger is filled with SKF food-grade NSF approved grease.

## Chemical resistance

SKF Food Line Y-bearing units resist a wide range of chemicals and other treatments used during the washdown process (→ table 1).

Fig. 1

SKF Food Line Y-bearing unit sealing system

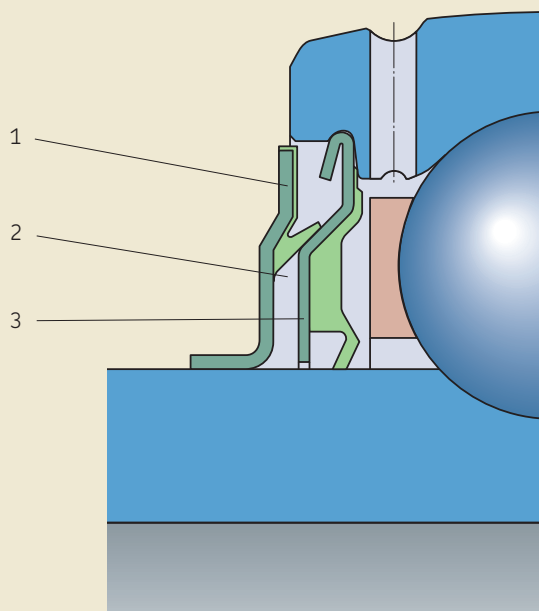


Table 1

SKF Food Line Y-bearing units, chemical resistance

Chemical	Example	Concentration	Temperature	Time	Cleaning procedure
–	–	–	°C	min	–
<b>Chlorinated alkalis</b>	Mild solution of caustic soda	max 0,5%	55–70	5–22	CIP
<b>Acidified rinse</b>	Post rinse, fresh water, acid solution	pH 5,5–6,0	RT	–	CIP
<b>Strong alkalis</b>	Caustic soda	0,5–5%	up to 90	45–90	CIP
<b>Strong acids</b>	Phosphoric acid, nitric acid	pH ~2	75–90	20–30	CIP
<b>Sanitizer</b>	Sodium hypochlorite	200 ppm active chlorine	cold	a couple of	CIP
<b>Hot water</b>	–	–	80–90	–	CIP
<b>Steam</b>	–	–	~130	–	SIP

## End covers

### Secure fit, operator safety

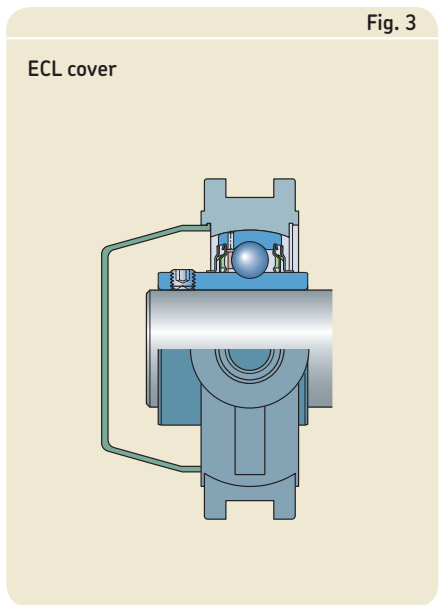
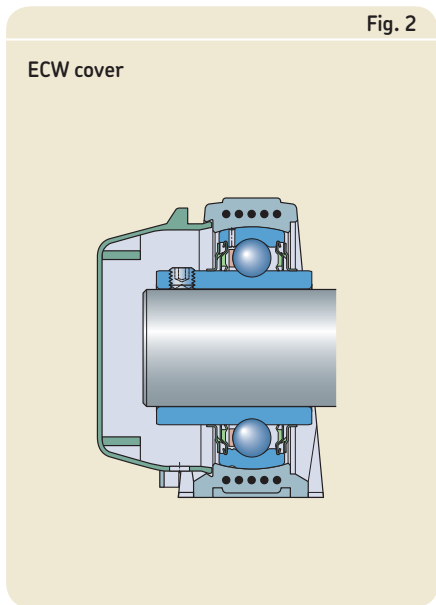
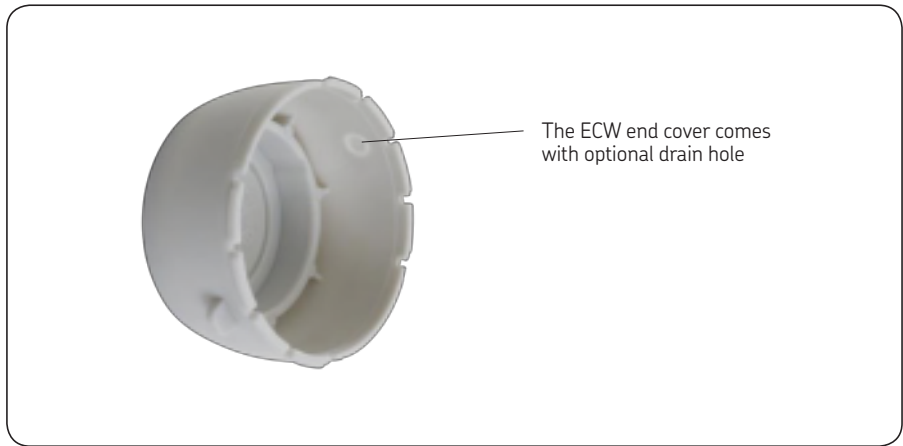
If needed to comply with health and safety regulations, composite, stainless steel and cast iron zinc coated SKF Food Line Y-bearing units can be supplied with effective end covers. Two different cover designs are available:

- ECW (→ **fig. 2**) for composite, cast iron zinc-coated and stainless steel SKF Food Line Y-bearing units
- ECL (→ **fig. 3**) for some of the composite SKF Food Line Y-bearing units identified by the suffix L in the designations.

The appropriate end cover for each SKF Food Line Y-bearing unit is listed in the product tables. Note that the end covers are not included with the Y-bearing units and must be ordered separately.

The ECW cover has an optional drainage hole that can be easily opened by the user as required.

For complete security, both ECW and ECL end covers are tested to withstand 100 bar pressure wash and will not dislocate during washing,



## High-quality, NSF H1 approved grease

Each SKF Food Line Y-bearing unit is pre-lubricated for life with a non-toxic food-grade grease, based on a PAO oil which contains an aluminium-complex soap as thickener (food industry approved NSF H1).

This high quality synthetic grease is odourless and tasteless, leaving food unaffected.

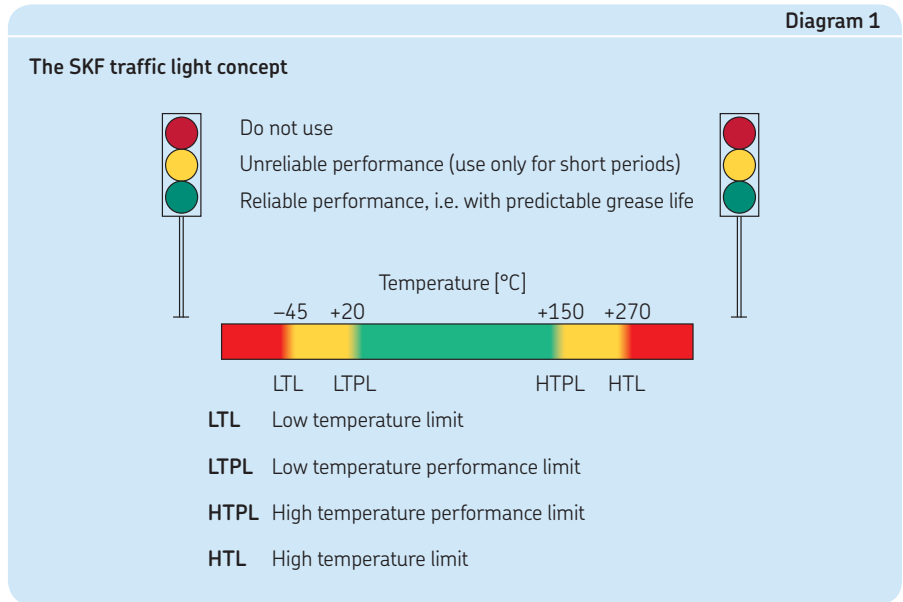
### Broad temperature range

Approved for use in all food and beverage processing equipment, SKF food-grade grease has a temperature range from -45 to 150 °C. (→ **diagram 1**)

### Extends bearing life

SKF food-grade grease offers advantages that help extend bearing life, including:

- Excellent internal and external bearing corrosion protection
- High aging resistance for extended lubricant life



### The SKF traffic light concept

Based on the exclusive SKF traffic light concept, the temperature range over which the grease lubricating the SKF Food Line Y-bearing units can be used is defined by four temperature limits schematically illustrated in **diagram 1** in the form of a “double traffic light”.

The definitions of the extreme temperature limits are the following:

- The low temperature limit (LTL), is the lowest temperature at which the grease will enable the bearing to be started up without difficulty.
- The high temperature limit (HTL) is given by the grease dropping point. The dropping point indicates the temperature at which the grease loses its consistency and becomes a fluid.

Operation at temperatures below the low temperature limit and above the high temperature limit is not advised as shown in **diagram 1** by the red zones<sup>1)</sup>.

The recommended temperatures for reliable bearing operation are given by the following SKF values:

- The low temperature performance limit (LTPL).
- The high temperature performance limit (HTPL).

It is within these two limits, the green zone in **diagram 1**, where the grease will function reliably and grease life can be determined accurately.

At temperatures above the high temperature performance limit (HTPL), grease will age and oxidize with increasing rapidity and the by-products of the oxidation will have a detrimental effect on lubrication. Therefore, temperatures in the amber zone, between the high temperature performance limit and the high temperature limit (HTL), should occur only for very short periods.

At temperatures below the low temperature performance limit (LTPL), the tendency of grease to bleed decreases and the stiffness (consistency) of the grease increases. This will ultimately lead to an insufficient supply of lubricant to the contact surfaces of the rolling elements and raceways. Since ball bearings are easier to lubricate than roller bearings, the low temperature performance limit is less important for ball bearings. Short periods in this zone, e.g. during a cold start, are not harmful since the heat caused by friction will bring the bearing temperature into the green zone.

<sup>1)</sup> Despite grease suppliers indicating the specific values for the low and high temperature limits in their product information, SKF recommends using these low/high temperature performance limits for reliable bearing operation.

# SKF Food Line Y-bearing units require no relubrication

No relubrication means  
reduced environmental impact

## Less waste

The cycle of washdowns and lubricant washout in food and beverage manufacturing creates a never-ending cycle of waste.

It is common to relubricate bearings after each washdown – daily, weekly or at other intervals based on production specifics. During this process, excess grease is discharged past the bearing seals (purged). At the next washdown cycle, the grease is washed away and into the plant's waste water.

Because they can withstand frequent washdowns without relubrication, greased-for-life SKF Food Line Y-bearing units eliminate the need for relubrication, grease disposal and concern about environmental impact (→ fig. 4).

## Reduced grease consumption

As an example, relubricating 100 bearing positions require about (→ fig. 5):

**15 g (0.53 oz.)** of lubricant per bearing purge, which equals

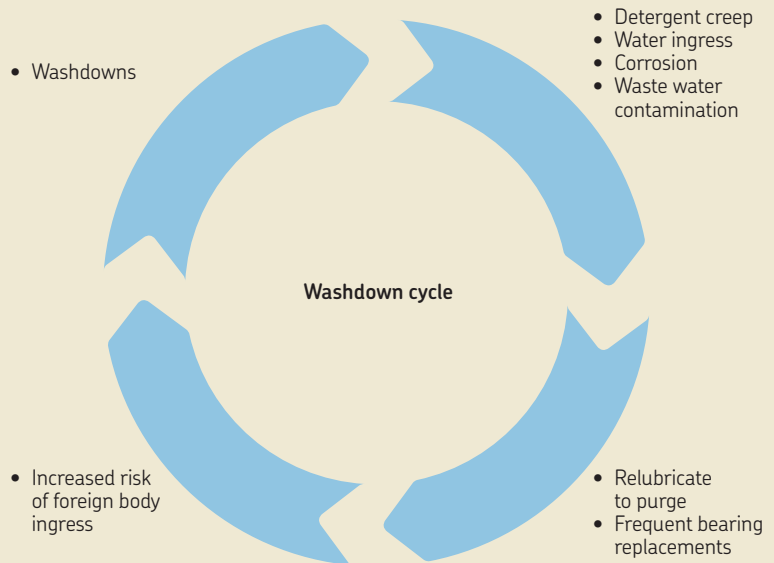
**1,5 kg (3.3 lbs.)** per weekly maintenance cycle, or a total of

**78 kg (172 lbs.)** of lubricant per year

With the SKF Documented Solution Program, your SKF representative can show you how much you can reduce cost with SKF Food Line Y-bearing units, based on running data from your own plant.

Fig. 4

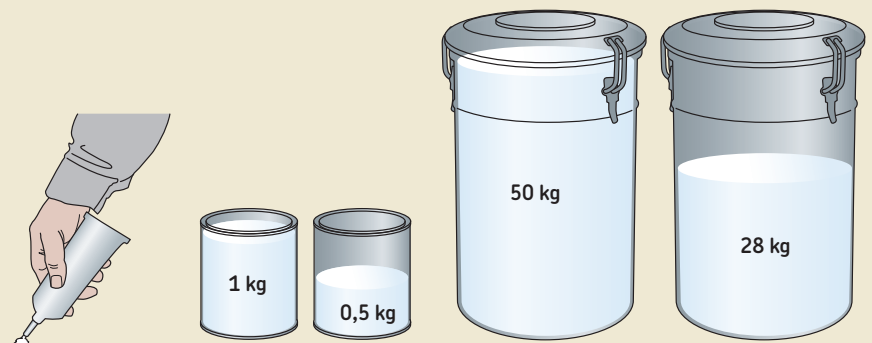
The traditional cycle of washdown and relubrication presents risks to both bearing service life and the environment



SKF Food Line Y-bearing units support Foreign Body Prevention Programs (AIB Gold Standard, GMP, HACCP)

Fig. 5

The volumes of grease used to relubricate 100 bearing positions for one year can be significant



**15 g (0.53 oz.)**

Application of grease to 1 bearing

**1,5 kg (3.3 lbs.)**

Application of grease to 100 bearings

**78 kg (172 lbs.)**

Application of grease to 100 bearings weekly for one year

# Housing materials

## Composite housing

### Strong, lightweight, chemical resistant

Capable of resisting citric acids, cooking fats and most food and beverage processing chemicals, the composite housing of SKF Food Line Y-bearing units is constructed of a thermoplastic composite material that is significantly lighter than cast iron housings. The housing's spherical bore accommodates the insert bearing's spherical outer surface, enabling the unit to fully compensate for initial bearing seating misalignment.

### Other performance advantages include:

- **Fracture strength** – Steel coils embedded in the housing<sup>1)</sup> or dedicated rugged design<sup>2)</sup> contribute to its fracture strength. Radial breaking load is far greater than the static load rating of the bearing. The SKF Food Line Y-bearing unit is estimated to have the highest fracture strength of any composite unit on the market.
- **Flush mounting** – A polyamide filled housing base or a solid base allow the units to meet flush with its mounting surface. This surface-to-surface mounting eliminates gaps where contaminants could potentially collect.
- **Stability** – Stainless steel bolt-hole inserts provide added strength and stability to each housing foot to prevent corrosion.

1) Applies to plumber block housings SYWK..Y, four-bolt flanged housings FYWK..Y and two bolt flanged housings FYWTK..Y  
 2) Applies to housings SYWK..L, FYWK..L, FYTWK..L, SYFW..L, FYAWK..L, TUWK..L



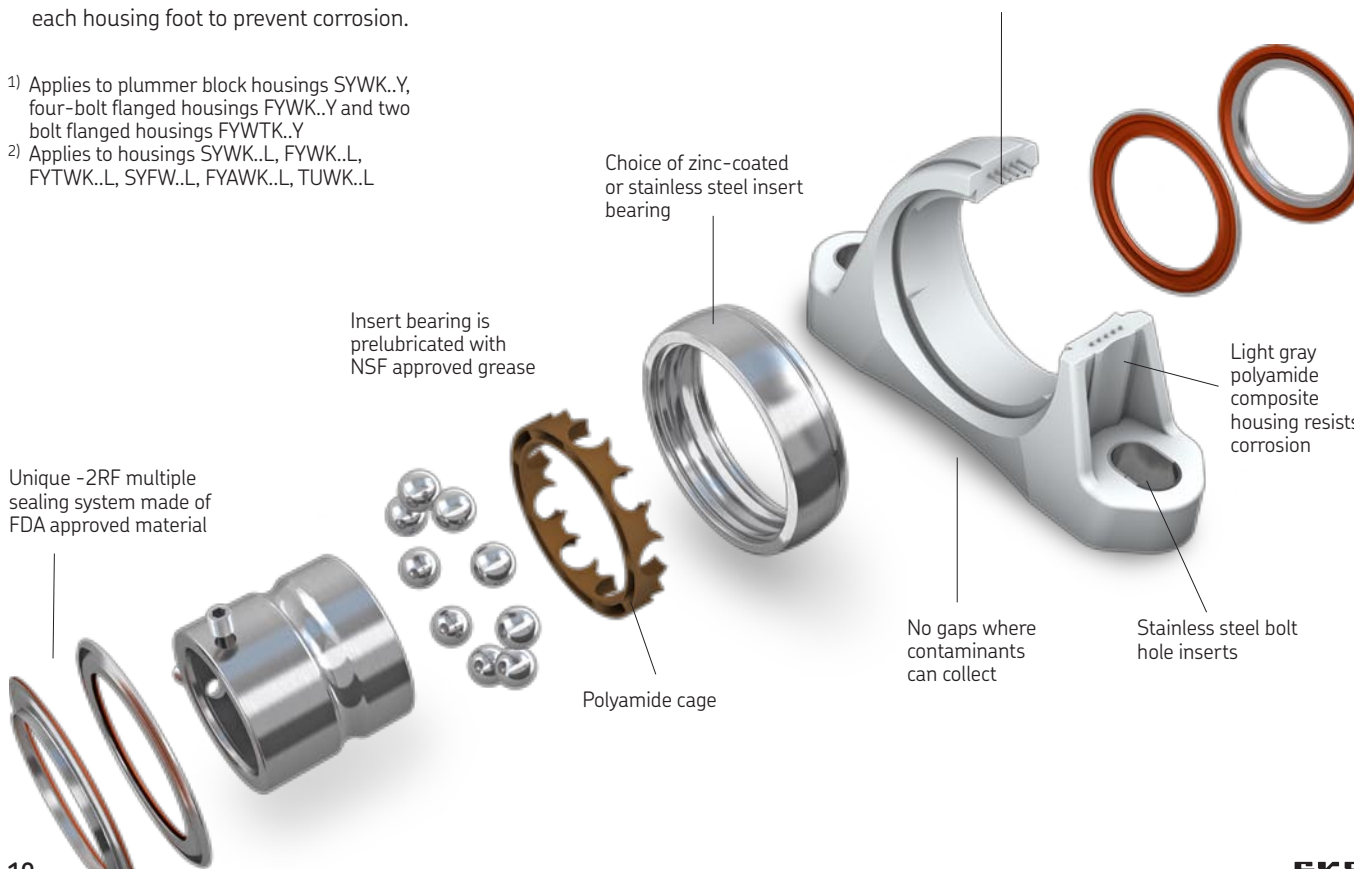
### Housing designs

SKF Food Line Y-bearing unit composite housings are available in the following designs:

- plumber block
- two- and four-bolt flange (oval or square shape)
- tapped base
- three-bolt bracket flange
- take-up



Steel coils embedded in SKF composite housings provide additional fracture strength



## Stainless steel housing

### Extreme strength and toughness

For extremely challenging food and beverage applications requiring ultimate durability and chemical resistance, housings cast from AISI 300 series stainless steel may be the best answer.

**Strength** – SKF Food Line stainless steel Y-bearing housings are designed for applications where very heavy loads or shock loads are possible.

**Safety** – In applications where housing failure could result in injury, the safety factor inherent in cast steel is an advantage.

**Chemical resistance** – Compared to composite and zinc coated cast iron housings, cast stainless steel offers a higher level of resistance to aggressive washdown chemicals. Cast stainless housings are not affected by strong concentrations of chlorine, hydrogen peroxide or other chemicals.

**Surface finish** – The finish of SKF cast stainless steel housings prevents material from becoming trapped on housing surfaces. The bases are cast flat with no recesses to trap debris and bacteria, and the exposed surfaces have no unnecessary crevices or



pockets. This smooth surface finish also allows a more thorough cleaning.

### Housing designs

SKF Food Line Y-bearing unit stainless steel housings are available in the following designs:

- plummer block
- two- and four-bolt flange (oval or square shape)
- tapped base

## Coated cast iron housing

### Strong and corrosion resistant

Strength, durability and long-term corrosion resistance make SKF coated cast iron housings an ideal choice for red meat, pork and poultry processing applications.

The heavy-duty cast iron is protected with a CrVI-free zinc coating on all housing surfaces for long-term corrosion resistance. The zinc coating eliminates the flaking problems associated with nickel plated products.

**Chemical resistance** – These zinc coated bearings are resistant to the majority of common washdown solutions.

### Housing designs

SKF Food Line Y-bearing unit coated cast iron housings are available in the following designs:



- plummer blocks
- two- or four-bolt flange (oval or square shape)
- tapped base

# Mounting instructions

## General

To provide proper bearing performance and prevent premature failure, skill and cleanliness are necessary when mounting SKF Food Line Y-bearings or Y-bearing units. As precision components, they should be handled carefully when mounting. It is also important to choose the appropriate method of mounting and to use the correct tools. The method used for mounting a SKF Food Line Y-bearing unit depends on the:

- overall machine design
- Y-bearing housing design
- method used to attach the unit to the shaft

**NOTE:** Failure to carefully follow applicable mounting instructions can result in premature bearing failure or improper performance. For further information, contact the SKF application engineering service. Detailed mounting instructions can be found on the following pages. SKF Food Line Y-bearings, Y-housings or Y-bearing units should not be removed from their original packaging until immediately before they are mounted.

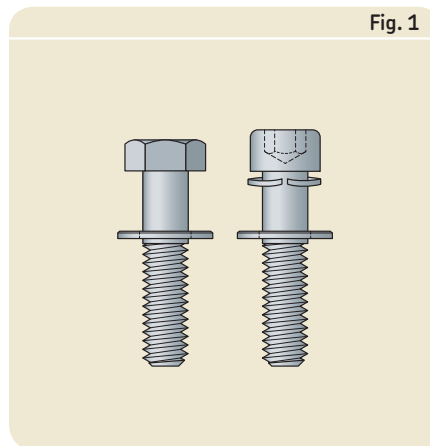
## Tools

To mount or dismount SKF Food Line Y-bearing units, the following tools are required:

- a hexagonal key (hex wrench) to tighten or loosen grub (set) screws
- a spanner or hexagonal key to tighten or loosen the fasteners.

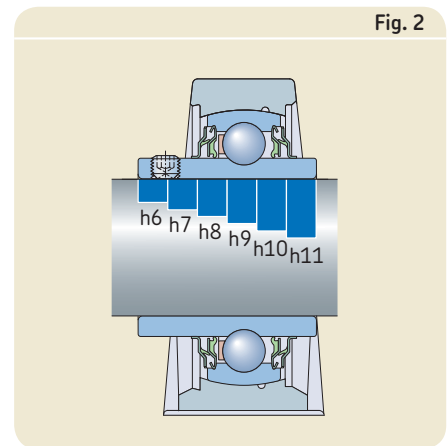
## Attaching SKF Food Line Y-bearing units to the support base

To reduce vibration and enable heat to dissipate from the unit, the housing must be firmly attached to the support base. To attach SKF Food Line Y-bearing units to the support surface, SKF recommends using 8.8 class bolts or studs and a washer to ISO 7089:2000 or 7090:2000 and a spring washer. Hexagonal head bolts in accordance with ISO 4014:1999 are appropriate. Alternatively, hexagonal socket head cap screws in accordance with ISO 4762:1988 can be used (→ **fig. 1**).



## Shaft tolerances

The recommended fits for SKF Food Line Y-bearings are listed in **table 1**. For moderate loads ( $0,035 C < P \leq 0,05 C$ ), the shaft seats should be machined to an h7 tolerance. For light loads and low speeds, an h8 shaft tolerance is sufficient and for very simple applications, h9 to h11 shaft tolerances may be used. **Fig. 2** illustrates the location of the most commonly used ISO shaft tolerance grades. The values of these ISO tolerances are listed in **table 2** on **page 13**.



Recommended fits	
Operating conditions	Tolerance
$P > 0,05 C$ and/or high speeds	h6
$0,035 C < P \leq 0,05 C$ and/or low speeds	h7
$0,02 C < P \leq 0,035 C$ and/or low speeds	h8
Simple bearing arrangement or $P \leq 0,02 C$	h9–h11

## Limiting speeds

The limiting speeds of SKF Food Line Y-bearings and SKF Food Line Y-bearing units are shown in the *product tables*. The values refer to shafts with tolerances up to h7 or more. In cases with shaft tolerances of h8, h9 and h11, the limiting speeds must be reduced according to the values listed in **table 3**.

## Assembling units

In cases where the SKF Food Line Y-bearings and Y-housings are not supplied as a unit, the first step is to assemble the bearing into the housing. Start by inserting the bearing into the filling slot in the housing bore (→ **fig. 3**). Then, with a round piece of wood or pipe, swivel the bearing into position (→ **fig. 4**). When installing SKF Food

Line Y-bearings, make sure that the relubrication features in the outer ring holes or relubrication grooves do not coincide with the filling slot in the housing, otherwise grease leakage may result (→ **fig. 5**).

If you need to re-assemble a unit type that can be relubricated, make sure that the relubrication features in the outer ring holes or relubrication grooves coincide with the relubrication facility in the housing. (→ **fig. 5**).

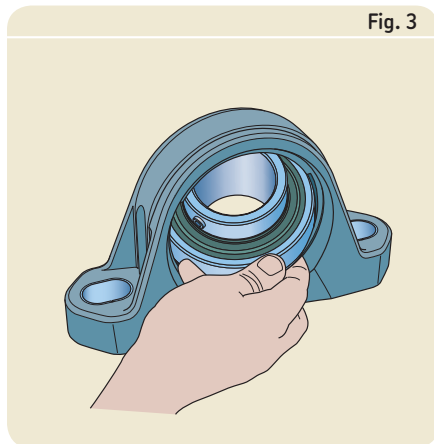


Fig. 3

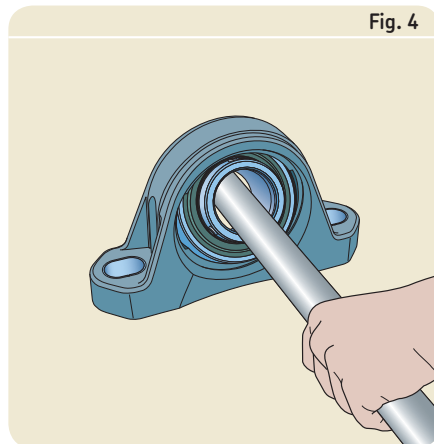


Fig. 4

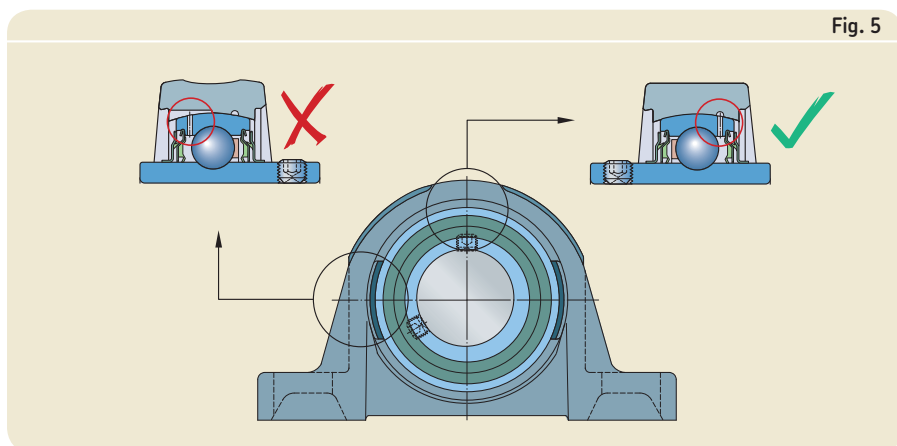


Fig. 5

Table 2

### ISO shaft tolerances for SKF Food Line Y-bearings

Shaft diameter	Deviations of shaft diameter													
			h6		h7		h8		h9		h10		h11	
	d	incl.	high	low	high	low	high	low	high	low	high	low	high	low
mm			μm											
10	18	0	-11	0	-18	0	-27	0	-43	0	-70	0	-110	
18	30	0	-13	0	-21	0	-33	0	-52	0	-84	0	-130	
30	50	0	-16	0	-25	0	-39	0	-62	0	-100	0	-160	
50	80	0	-19	0	-30	0	-46	0	-74	0	-120	0	-190	
80	120	0	-22	0	-35	0	-54	0	-87	0	-140	0	-220	

Table 3

### Limiting speeds reduced for SKF Food Line Y-bearings

Bearing size <sup>1)</sup>	Limiting speeds for shaft machined to tolerance		
	h8	h9	h11
d	r/min		
–	r/min		
04	3 800	1 300	850
05	3 200	1 000	700
06	2 800	900	630
07	2 200	750	530
08	1 900	670	480
09	1 600	560	400

## Mounting instructions for SKF Food Line Y-bearing units

- 1 Remove any burrs on the shaft with emery cloth or a fine file, wipe clean with a cloth. Depending on loads and speeds, define the appropriate shaft tolerance from **table 2, page 13**, and check the shaft diameter.
- 2 Mount any components that are on the shaft between the two SKF Food Line Y-bearing units.
- 3 Make sure the housing base and mating surfaces are clean and free of any debris or burrs. Ensure the supporting surface is flat. The flatness should be within the IT7 tolerance grade and that the roughness  $R_a \leq 12,5$  mm. If the housing requires shims or adjustment, the shims **must** extend the full length and width of the base.
- 4 Slide the SKF Food Line Y-bearing unit onto the shaft with grub screws facing outwards. For pillow block units, fit the attachment bolts or nuts but do not tighten them. For flanged units, fasten them securely to the machine wall.
- 5 Mount the other SKF Food Line Y-bearing unit on the other end of the shaft.
- 6 Carefully align both SKF Food Line Y-bearing units, using the shaft. For pillow block housings, fully tighten the attachment bolts or nuts for all units. For flanged housings, securely fasten the second unit to the machine wall.

- 7 Align the shaft in the bearing arrangement axially and – if possible – turn it a few times.
- 8 Tighten the grub screws in the inner rings of both units to the tightening torque indicated in **table 4**.
- 9 If applicable, snap the end cover(s) into place.

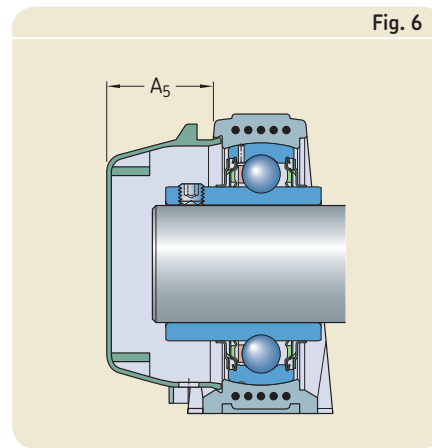
### End covers

The product tables show the appropriate end cover for each bearing unit, and the distance (A5) that the end cover protrudes from the housing side (→ **fig 6**). Prior to starting the mounting procedure, make sure to use the correct end cover and check if the A5 dimension is suitable for your application arrangement.

**NOTE:** the end cover must be ordered separately.

#### Mounting instructions for end covers

- 1 Remove the end cover from its package.
- 2 Identify the housing end cover groove and make sure it is clean and free of any debris.
- 3 Hold the cover askew against the housing and insert the cover tabs into the housing groove. Note that in composite housings with suffix Y in the designation, the end cover groove does not cover the whole circumference, which is interrupted in the insert slot area.



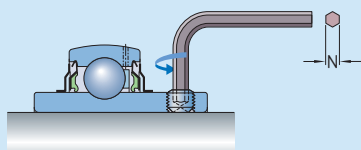
- 4 Push the cover towards the housing until all the tabs snap into the housing groove. Where needed, help the tabs into position by bending the cover edge slightly as required.
- 5 Make sure the cover is securely in place. If needed, remove the end cap and start the process again from **step 3**.

#### Dismounting instructions for end covers

- 1 Insert a screwdriver or a pointed tool into the space between the Y-housing and the dismounting protrusion located in the cover side.
- 2 Unlock the cover by levering it until the first end cover tabs come out from the housing groove. Hold the cover to make sure that it does not fall down, and complete the unlocking process by hand.

Table 4

#### Hexagonal keys to tighten grub screws in inner rings – sizes and tightening torque



Bearing size<sup>1)</sup> Bearing or unit with metric

	set screw size	Hexagonal key side N	Tightening torque
–	–	mm	Nm
04	M6×0,75	3	4
05	M6×0,75	3	4
06	M6×0,75	3	4
07	M6×0,75	3	4
08	M8×1	4	6,5
10	M10×1	5	16,5

Bearing or unit with inch

	set screw size	Hexagonal key side N	Tightening torque
–	–	inch	Nm
	1/4-28 UNF	1/8	4
	1/4-28 UNF	1/8	4
	1/4-28 UNF	1/8	4
	5/16-24 UNF	5/32	6,5
	5/16-24 UNF	5/32	6,5
	3/8-24 UNF	3/16	16,5

<sup>1)</sup> For example, bearing size 07 includes all bearings based on a Y207 bearings such as YAR 207-2RF/HV, YAR 207-104-2RF/HV, YAR 207-106-2RF/HV, YAR 207-107-2RF/HV.



#### WARNING!

To avoid possible injury from contacting rotating parts, do not mount or dismount end cover unless shaft has stopped rotating.

# Designation systems

The complete designation for a SKF Food Line Y-bearing or Y-bearing unit consists of:

- prefixes, identifying the Y-bearing or Y-bearing unit series
- figures, identifying the size
- suffixes, identifying designs and variants

More details about the basic designations and the supplementary designations can be obtained from the designation charts:

- SKF Food Line Y-bearing designation system (→ **table 1, page 16**)
- SKF Food Line Y-bearing unit designation system (→ **table 2, page 17**)



## Designation system for SKF Food Line Y-bearings

<b>Examples</b>	YAR 204-2RFGR/HV	YAR	2	04	-2RF/HV
	YAR 205-100-2RFGR/HV	YAR	2	05-100	-2RFGR/HV
	YAR 204-2RFG/VE495	YAR	2	04	-2RFG/VE495
	YAR 210-115-2RFG/VE495	YAR	2	10-115	-2RF/VE495

**Bearing series**

**YAR** Inner ring extended on both sides, with grub screws

**Dimensions Series**

**2** Bearing to ISO 9628:2006

**Bore diameter****Bearing for metric shafts**

**04** 20 mm bore diameter

to

**10** 50 mm bore diameter

**Bearings for inch shafts**

Three figure combination that follows the designation of the basic metric bearing and is separated from this by hyphen. The first figure is the number of whole inches and the second and third figures are the number of sixteenths of an inch e.g. 204-012

**04-012**  $\frac{3}{4}$  in. = 19,050 mm bore diameter

to

**10-115**  $1 \frac{15}{16}$  in. = 49,213 mm bore diameter

**Suffixes****Seals**

**-2RF** Contact standard integral seal with additional rubberized flinger on both sides of the bearing

**Material**

**HV** Bearing components of stainless steel and food-grade grease

**VE495** Zinc-coated inner and outer rings, stainless steel metallic inserts for seals and flingers, food compatible grease

**Other features**

**G** Lubrication groove in the outside diameter, located at the side opposite the locking device (zinc coated bearings only)

**GR** Lubrication groove in the outside diameter, located at the side of the locking device (stainless steel bearings only)

## Designation system for SKF Food Line Y-housings and Y-bearing units

## Examples

SYWK 30 YTH  
 SYFWK 40 LNTA  
 FYAWK 1.3/4 ALTHR  
 SYFWR 1.1/2 LZTHR  
 FYWZ 1.1/2 YTA  
 SYWZ 510 Y  
 FYTWR 507 L

SY	W	K	30	Y	TH
SYF	W	K	40	LN	TA
FYA	W	K	1.3/4	AL	THR
SYF	W	R	1.1/2	LZ	THR
FY	W	Z	1.1/2	Y	TA
SY	W	Z	510	Y	
FYT	W	R	507	L	

## Identification of housing shape

SY Plummer block housing  
 SYF Tapped base  
 FY Square flange (4-bolt)  
 FYT Oval flanged (2-bolt)  
 FYA Three bolt flanged  
 TU Take up

## Identification of SKF Food Line

W SKF Food Line Y-housing and Y-bearing unit

## Identification of housing material

K Composite  
 Z Grey cast iron zinc coated  
 R Stainless steel

## Identification of size

Bearing units for metric shafts: in millimeters uncoded  
 20 20 mm bore diameter  
 to  
 50 50 mm bore diameter

Bearing units for inch shafts: in inches uncoded  
 3/4 3/4 in. = 19,050 mm bore diameter  
 to

1 15/16 1 15/16 in. = 49,213 mm bore diameter

Housings for both imetric and inch shafts  
 504 For Y-bearing sizes 204  
 to  
 510 for Y-bearing sizes 210

## Additional housing features

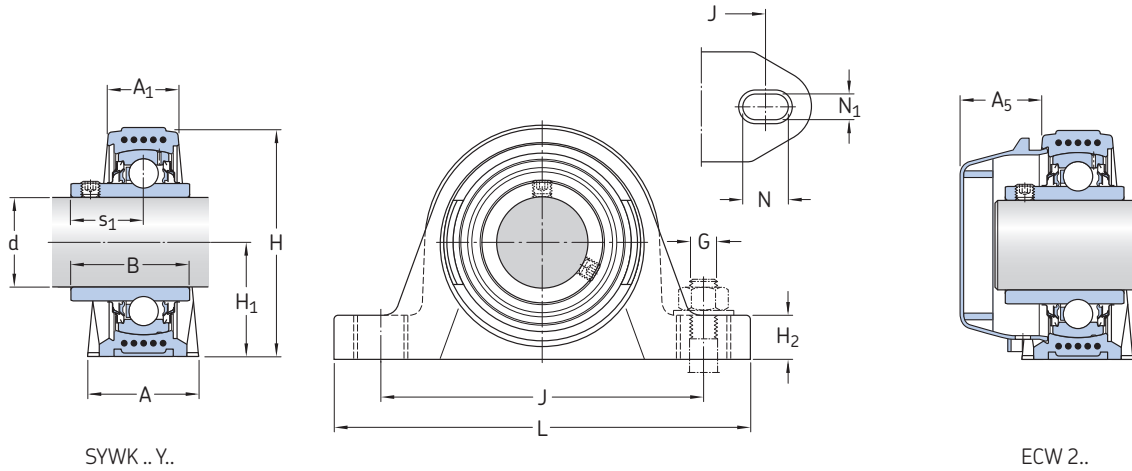
A Units of the next smaller size than normal (inch units only)  
 L Suitable for ECL cover  
 N Relubricable execution  
 Y Suitable for ECW cover  
 Z Units with inch thread in bolt holes instead of metric thread (tapped base housings)

## Identification of inserted SKF Food Line Y-bearing

TA SKF Food Line Y-bearing with grub screws, YAR series, zinc coated rings, stainless steel components, no lubrication groove on outside diameter  
 TAG SKF Food Line Y-bearing with grub screws, YAR series, zinc coated rings, stainless steel components, lubrication groove on outside diameter  
 TH SKF Food Line Y-bearing with grub screws, YAR series, stainless steel made, lubrication groove on outside diameter opposite side of locking device  
 THR SKF Food Line Y-bearing with grub screws, YAR series, stainless steel made, lubrication groove on same side locking device

Composite SKF Food Line Y-units plummer block stainless steel bearings, metric shafts

d 20 – 50 mm



Dimensions

d	A	A <sub>1</sub>	B	H	H <sub>1</sub>	H <sub>2</sub>	J	L	N	N <sub>1</sub>	G	s <sub>1</sub>	Basic load ratings		Fatigue load limit	Designation
													dynamic	static		
mm													C	C <sub>0</sub>	P <sub>u</sub>	Bearing unit
20	32	21	31	64	33,3	16	96	126	17,5	12	10	18,3	10,8	6,55	0,28	SYWK 20 YTH
25	32	22	34,1	70,5	36,5	16	105	134	17,5	12	10	19,8	11,9	7,8	0,335	SYWK 25 YTH
30	40	25	38,1	82	42,9	19	121	159	21,5	14,5	12	22,2	16,3	11,2	0,475	SYWK 30 YTH
35	45	27	42,9	93	47,6	19	126	164	21,5	14,5	12	25,4	21,6	15,3	0,655	SYWK 35 YTH
40	48	30	49,2	99	49,2	19	136	176	21,5	14,5	12	30,2	26	19	0,8	SYWK 40 YTH
50	60	37	51,6	114	57,2	23	159	206	20	17	16	32,6	29,6	23,2	0,98	SYWK 50 LTHR

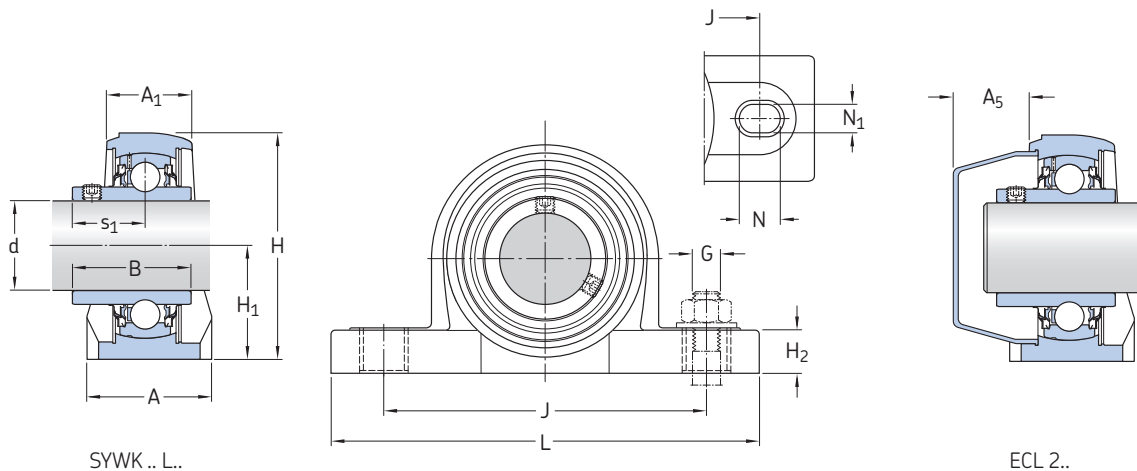
Composite SKF Food Line Y-units plummer block zinc coated bearings, metric shafts

d 20 – 50 mm

Dimensions

d	A	A <sub>1</sub>	B	H	H <sub>1</sub>	H <sub>2</sub>	J	L	N	N <sub>1</sub>	G	s <sub>1</sub>	Basic load ratings		Fatigue load limit	Designation
													dynamic	static		
mm													C	C <sub>0</sub>	P <sub>u</sub>	Bearing unit
20	32	21	31	64	33,3	16	96	126	17,5	12	10	18,3	12,7	6,55	0,28	SYWK 20 YTA
25	32	22	34,1	70,5	36,5	16	105	134	17,5	12	10	19,8	14	7,8	0,335	SYWK 25 YTA
30	40	25	38,1	82	42,9	19	121	159	21,5	14,5	12	22,2	19,5	11,2	0,475	SYWK 30 YTA
35	45	27	42,9	93	47,6	19	126	164	21,5	14,5	12	25,4	25,5	15,3	0,655	SYWK 35 YTA
40	48	30	49,2	99	49,2	19	136	176	21,5	14,5	12	30,2	30,7	19	0,8	SYWK 40 YTA
50	60	37	51,6	114	57,2	23	159	206	20	17	16	32,6	35,1	23,2	0,98	SYWK 50 LTA

SKF Food Line Y-bearing units composite housings are lubricated for life. SKF does not recommend relubricating. If required units with relubrication fittings are available upon order. Please contact SKF for further details regarding delivery time and appropriate designations.



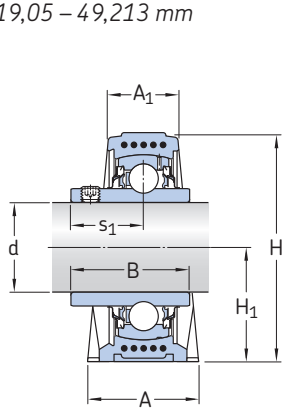
Designations Bearing unit	Separate components		Limiting speed with shaft tolerance	Mass Bearing unit	Appropriate cover	
	Housing	Bearing			Designation	Dimension
			h6			A <sub>5</sub>
–			r/min	kg	–	mm
SYWK 20 YTH	SYWK 504 Y	YAR 204-2RF/HV	5 000	0,24	ECW 204	26
SYWK 25 YTH	SYWK 505 Y	YAR 205-2RF/HV	4 300	0,29	ECW 205	26
SYWK 30 YTH	SYWK 506 Y	YAR 206-2RF/HV	3 800	0,49	ECW 206	30,5
SYWK 35 YTH	SYWK 507 Y	YAR 207-2RF/HV	3 200	0,66	ECW 207	32
SYWK 40 YTH	SYWK 508 Y	YAR 208-2RF/HV	2 800	0,86	ECW 208	33
SYWK 50 LTHR	SYWK 510 L	YAR 210-2RFGR/HV	2 200	1,3	ECL 210	42,4

Designations Bearing unit	Separate components		Limiting speed with shaft tolerance	Mass Bearing unit	Appropriate cover	
	Housing	Bearing			Designation	Dimension
			h6			A <sub>5</sub>
–			r/min	kg	–	mm
SYWK 20 YTA	SYWK 504 Y	YAR 204-2RF/VE495	5 000	0,24	ECW 204	26
SYWK 25 YTA	SYWK 505 Y	YAR 205-2RF/VE495	4 300	0,29	ECW 205	26
SYWK 30 YTA	SYWK 506 Y	YAR 206-2RF/VE495	3 800	0,49	ECW 206	30,5
SYWK 35 YTA	SYWK 507 Y	YAR 207-2RF/VE495	3 200	0,66	ECW 207	32
SYWK 40 YTA	SYWK 508 Y	YAR 208-2RF/VE495	2 800	0,86	ECW 208	33
SYWK 50 LTA	SYWK 510 L	YAR 210-2RF/VE495	2 200	1,3	ECL 210	42,4

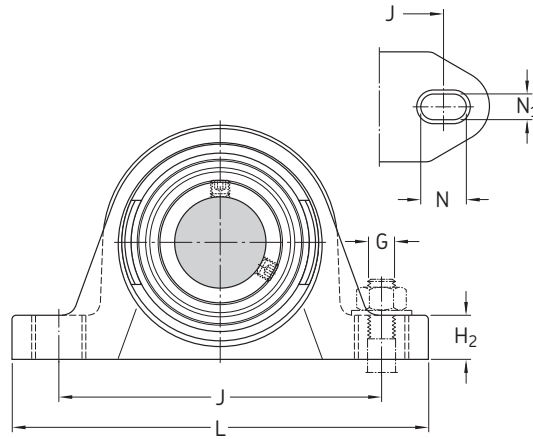
Composite SKF Food Line Y-units plummer block stainless steel bearings, inch shafts

d 3/4 – 1 15/16 in.

19,05 – 49,213 mm



SYWK..Y.

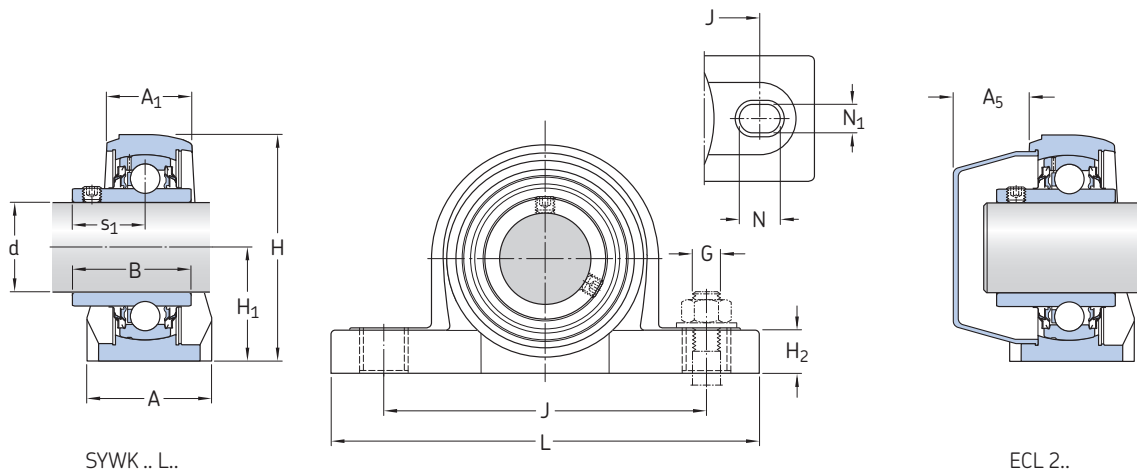


ECW 2..

Dimensions

d	A	A <sub>1</sub>	B	H	H <sub>1</sub>	H <sub>2</sub>	J	L	N	N <sub>1</sub>	G	s <sub>1</sub>	Basic load ratings		Fatigue load limit P <sub>u</sub>	Designation Bearing unit
													dynamic C	static C <sub>0</sub>		
in./mm													lbf/kN	lbf/kN	–	
3/4 19,05	1,26 32	0,83 21	1,22 31	2,52 64	1,31 33,3	0,63 16	3,77 96	4,95 126	0,69 17,5	0,47 12	3/8 10	0,72 18,3	2 430 10,8	1 470 6,55	60 0,28	SYWK 3/4 YTH
1 25,4	1,26 32	0,86 22	1,34 34,1	2,77 70,5	1,43 36,5	0,63 16	4,13 105	5,27 134	0,69 17,5	0,47 12	3/8 10	0,78 19,8	2 680 11,9	1 760 7,8	80 0,335	SYWK 1. YTH
1 3/16 30,163	1,57 40	0,98 25	1,50 38,1	3,22 82	1,69 42,9	0,75 19	4,76 121	6,25 159	0,84 21,5	0,57 14,5	1/2 12	0,87 22,2	3 670 16,3	2 520 11,2	110 0,475	SYWK 1.3/16 YTH
1 1/4 31,75	1,57 40	0,98 25	1,50 38,1	3,22 82	1,69 42,9	0,75 19	4,76 121	6,25 159	0,84 21,5	0,57 14,5	1/2 12	0,87 22,2	3 670 16,3	2 520 11,2	110 0,475	SYWK 1.1/4 AYTH
	1,77 45	1,06 27	1,69 42,9	3,65 93	1,87 47,6	0,75 19	4,95 126	6,45 164	0,84 21,5	0,57 14,5	1/2 12	1,00 25,4	4 860 21,6	3 440 15,3	150 0,655	SYWK 1.1/4 YTH
1 3/8 34,925	1,77 45	1,06 27	1,69 42,9	3,65 93	1,87 47,6	0,75 19	4,95 126	6,45 164	0,84 21,5	0,57 14,5	1/2 12	1,00 25,4	4 860 21,6	3 440 15,3	150 0,655	SYWK 1.3/8 YTH
1 7/16 36,513	1,77 45	1,06 27	1,69 42,9	3,65 93	1,87 47,6	0,75 19	4,95 126	6,45 164	0,84 21,5	0,57 14,5	1/2 12	1,00 25,4	4 860 21,6	3 440 15,3	150 0,655	SYWK 1.7/16 YTH
1 1/2 38,1	1,89 48	1,18 30	1,93 49,2	3,89 99	1,93 49,2	0,75 19	5,34 136	6,92 176	0,84 21,5	0,57 14,5	1/2 12	1,19 30,2	5 845 26	4 280 19	180 0,8	SYWK 1.1/2 YTH
1 15/16 49,213	2,36 60	1,45 37	2,028 51,6	4,48 114	2,25 57,2	0,90 23	6,25 159	8,10 206	0,79 20	0,67 17	5/8 16	1,28 32,6	6 654 29,6	5 220 23,2	220 0,98	SYWK 1.15/16 LTHR

SKF Food Line Y-bearing units composite housings are lubricated for life. SKF does not recommend relubricating. If required, units with relubrication fittings are available upon order. Please contact SKF for further details regarding delivery time and appropriate designations.



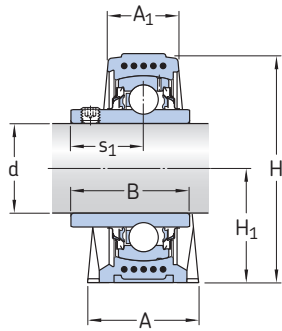
Designations Bearing unit	Separate components		Limiting speed with shaft tolerance  h6	Mass Bearing unit	Appropriate cover	
	Housing	Bearing			Designation	Dimension A <sub>5</sub>
–			r/min	lb/kg	–	in./mm
SYWK 3/4 YTH	SYWK 504 Y	YAR 204-012-2RF/HV	5 000	0.53 0,24	ECW 204	1.02 26
SYWK 1. YTH	SYWK 505 Y	YAR 205-100-2RF/HV	4 300	0.62 0,28	ECW 205	1.02 26
SYWK 1.3/16 YTH	SYWK 506 Y	YAR 206-103-2RF/HV	3 800	1.04 0,28	ECW 206	1.2 30,5
SYWK 1.1/4 AYTH	SYWK 506 Y	YAR 206-104-2RF/HV	3 800	1.04 0,47	ECW 206	1.2 30,5
SYWK 1.1/4 YTH	SYWK 507 Y	YAR 207-104-2RF/HV	3 200	1.57 0,71	ECW 207	1.26 32
SYWK 1.3/8 YTH	SYWK 507 Y	YAR 207-106-2RF/HV	3 200	1.44 0,65	ECW 207	1.26 32
SYWK 1.7/16 YTH	SYWK 507 Y	YAR 207-107-2RF/HV	3 200	1.37 0,62	ECW 207	1.26 32
SYWK 1.1/2 YTH	SYWK 508 Y	YAR 208-108-2RF/HV	2 800	1.98 0,9	ECW 208	1.3 33
SYWK 1.15/16 LTHR	SYWK 510 L	YAR 210-115-2RFGR/HV	2 200	2.86 1,3	ECL 210	1.67 42,4



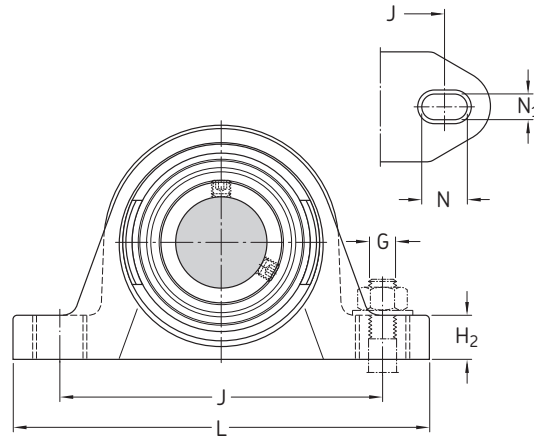
Composite SKF Food Line Y-units plummer block zinc coated bearings, inch shafts

d  $\frac{3}{4} - 1 \frac{15}{16}$  in.

19,05 – 49,213 mm



SYWK .. Y.

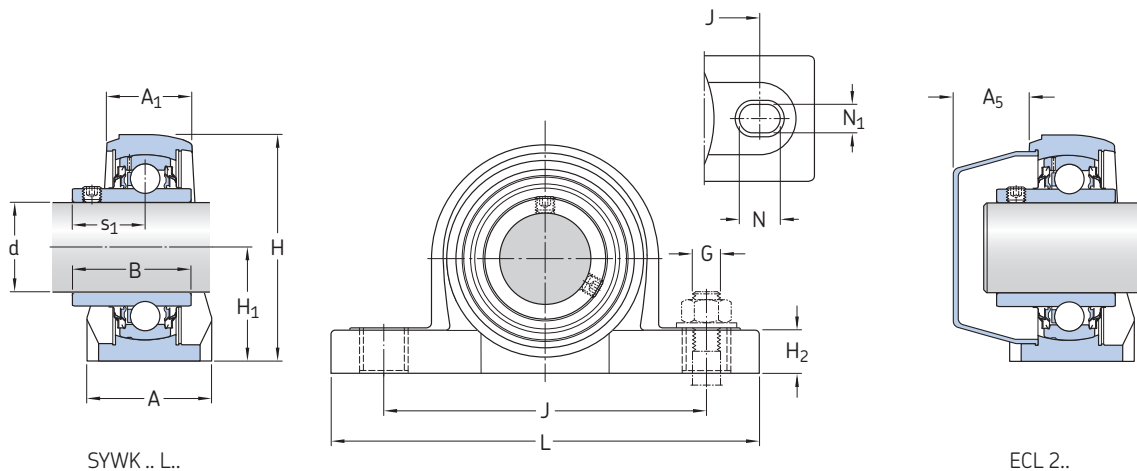


ECW 2..

Dimensions

d	A	A <sub>1</sub>	B	H	H <sub>1</sub>	H <sub>2</sub>	J	L	N	N <sub>1</sub>	G	s <sub>1</sub>	Basic load ratings		Fatigue load limit P <sub>u</sub>	Designation Bearing unit
													dynamic C	static C <sub>0</sub>		
in./mm													lbf/kN	lbf/kN	–	
$\frac{3}{4}$ 19,05	1.26 32	0.83 21	1.22 31	2.52 64	1.31 33,3	0.63 16	3.79 96	4.95 126	0.69 17,5	0.47 12	$\frac{3}{8}$ 10	0.72 18,3	2 860 12,7	1 470 6,55	60 0,28	SYWK 3/4 YTA
$\frac{15}{16}$ 23,81	1.26 32	0.86 22	1.34 34,1	2.77 70,5	1.43 36,5	0.63 16	4.13 105	5.27 134	0.69 17,5	0.47 12	$\frac{3}{8}$ 10	0.78 19,8	3 154 14	1 760 7,8	80 0,335	SYWK 15/16 YTA
<b>1</b> 25,4	1.26 32	0.86 22	1.34 34,1	2.77 70,5	1.43 36,5	0.63 16	4.13 105	5.27 134	0.69 17,5	0.47 12	$\frac{3}{8}$ 10	0.78 19,8	3 154 14	1 760 7,8	80 0,335	SYWK 1. YTA
$1 \frac{1}{16}$ 30,163	1.57 40	0.98 25	1.50 38,1	3.22 82	1.69 42,9	0.75 19	4.76 121	6.25 159	0.84 21,5	0.57 14,5	$\frac{1}{2}$ 12	0.87 22,2	4 390 19,5	2 520 11,2	110 0,475	SYWK 1.3/16 YTA
$1 \frac{1}{4}$ 31,75	1.57 40	0.98 25	1.50 38,1	3.22 82	1.69 42,9	0.75 19	4.76 121	6.25 159	0.84 21,5	0.57 14,5	$\frac{1}{2}$ 12	0.87 22,2	4 390 19,5	2 520 11,2	110 0,475	SYWK 1.1/4 AYTA
	1.77 45	1.06 27	1.69 42,9	3.65 93	1.87 47,6	0.75 19	4.95 126	6.45 164	0.84 21,5	0.57 14,5	$\frac{1}{2}$ 12	1.00 25,4	5 740 25,5	3 440 15,3	150 0,655	SYWK 1.1/4 YTA
$1 \frac{3}{8}$ 34,925	1.77 45	1.06 27	1.69 42,9	3.65 93	1.87 47,6	0.75 19	4.95 126	6.45 164	0.84 21,5	0.57 14,5	$\frac{1}{2}$ 12	1.00 25,4	5 740 25,5	3 440 15,3	150 0,655	SYWK 1. 3/8 YTA
$1 \frac{7}{16}$ 36,513	1.77 45	1.06 27	1.69 42,9	3.65 93	1.87 47,6	0.75 19	4.95 126	6.45 164	0.84 21,5	0.57 14,5	$\frac{1}{2}$ 12	1.00 25,4	3 440 25,5	3 440 15,3	150 0,655	SYWK 1. 7/16 YTA
$1 \frac{1}{2}$ 38,1	1.89 48	1.18 30	1.93 49,2	3.89 99	1.93 49,2	0.75 19	5.34 136	6.92 176	0.84 21,5	0.57 14,5	$\frac{1}{2}$ 12	1.19 30,2	6 910 30,7	4 280 19	180 0,8	SYWK 1.1/2 YTA
$1 \frac{15}{16}$ 49,213	2.4 60	1.5 37	2.0 51,6	4.5 114	2.2 57,2	0.9 23	6.2 159	8.1 206	0.8 20	0.7 17	$\frac{5}{8}$ 16	1.3 32,6	7 900 35,1	5 220 23,2	220 0,98	SYWK 1.15/16 LTA

SKF Food Line Y-bearing units composite housings are lubricated for life. SKF does not recommend relubricating. If required units with relubrication fittings are available upon order. Please contact SKF for further details regarding delivery time and appropriate designations.

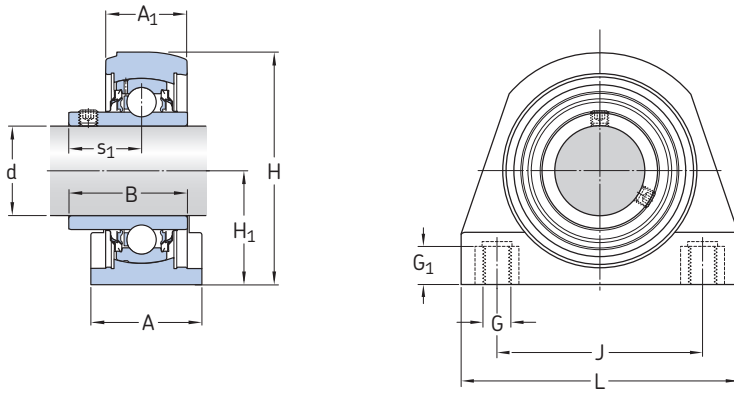


Designations Bearing unit	Separate components		Limiting speed with shaft tolerance	Mass Bearing unit	Appropriate cover	
	Housing	Bearing			Designation	Dimension
			h6			A <sub>5</sub>
			r/min	lb/kg		in./mm
<b>SYWK 3/4 YTA</b>	SYWK 504 Y	YAR 204-012-2RF/VE495	5 000	0.53 0,24	ECW 204	1.02 26
<b>SYWK 15/16 YTA</b>	SYWK 505 Y	YAR 205-015-2RF/VE495	4 300	0.62 0,28	ECW 205	1.02 26
<b>SYWK 1. YTA</b>	SYWK 505 Y	YAR 205-100-2RF/VE495	4 300	0.62 0,28	ECW 205	1.02 26
<b>SYWK 1.3/16 YTA</b>	SYWK 506 Y	YAR 206-103-2RF/VE495	3 800	1.04 0,28	ECW 206	1.2 30,5
<b>SYWK 1.1/4 AYTA</b>	SYWK 506 Y	YAR 206-104-2RF/VE495	3 800	1.04 0,47	ECW 206	1.2 30,5
<b>SYWK 1.1/4 YTA</b>	SYWK 507 Y	YAR 207-104-2RF/VE495	3 200	1.57 0,71	ECW 207	1.26 32
<b>SYWK 1. 3/8 YTA</b>	SYWK 507 Y	YAR 207-106-2RF/VE495	3 200	1.44 0,65	ECW 207	1.26 32
<b>SYWK 1. 7/16 YTA</b>	SYWK 507 Y	YAR 207-107-2RF/VE495	3 200	1.37 0,62	ECW 207	1.26 32
<b>SYWK 1.1/2 YTA</b>	SYWK 508 Y	YAR 208-108-2RF/VE495	2 800	1.98 0,9	ECW 208	1.3 33
<b>SYWK 1.15/16 LTA</b>	SYWK 510 L	YAR 210-115-2RF/VE495	2 200	2,86 1,3	ECL 210	1,67 42,4



Composite SKF Food Line Y-units short base plummer block stainless steel bearings, metric shafts

d 20 – 50 mm



Dimensions

d	A	A <sub>1</sub>	B	H	H <sub>1</sub>	J	L	G	G <sub>1</sub>	s <sub>1</sub>	Basic load ratings		Fatigue	Designation
											dynamic	static	load limit	Bearing unit
mm											C	C <sub>0</sub>	P <sub>u</sub>	–
20	34,5	23,8	31	66	33,3	50,8	72,8	M 8	12	18,3	10,8	6,55	0,28	SYFWK 20 LTHR
25	39,5	25,4	34,1	73,5	36,5	50,8	76,2	M 10	12	19,8	11,9	7,8	0,335	SYFWK 25 LTHR
30	42,5	28	38,1	84	42,9	76,2	101	M 10	12	22,2	16,3	11,2	0,475	SYFWK 30 LTHR
35	47,5	32,5	42,9	95	47,6	82,6	110	M 10	12	25,4	21,6	15,3	0,655	SYFWK 35 LTHR
40	48	35	49,2	100,5	49,2	88,9	120	M 12	16	30,2	26	19	0,8	SYFWK 40 LTHR
50	54	39	51,6	115	57,2	101,6	135	M 16	16	32,6	29,6	23,2	0,98	SYFWK 50 LTHR

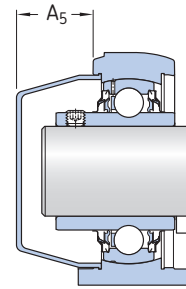
Composite SKF Food Line Y-units short base plummer block zinc coated bearings, metric shafts

d 20 – 50 mm

Dimensions

d	A	A <sub>1</sub>	B	H	H <sub>1</sub>	J	L	G	G <sub>1</sub>	s <sub>1</sub>	Basic load ratings		Fatigue	Designation
											dynamic	static	load limit	Bearing unit
mm											C	C <sub>0</sub>	P <sub>u</sub>	–
20	34,5	23,8	31	66	33,3	50,8	72,8	M 8	12	18,3	12,7	6,55	0,28	SYFWK 20 LTA
25	39,5	25,4	34,1	73,5	36,5	50,8	76,2	M 10	12	19,8	14	7,8	0,335	SYFWK 25 LTA
30	42,5	28	38,1	84	42,9	76,2	101	M 10	12	22,2	19,5	11,2	0,475	SYFWK 30 LTA
35	47,5	32,5	42,9	95	47,6	82,6	110	M 10	12	25,4	25,5	15,3	0,655	SYFWK 35 LTA
40	48	35	49,2	100,5	49,2	88,9	120	M 12	16	30,2	30,7	19	0,8	SYFWK 40 LTA
50	54	39	51,6	115	57,2	101,6	135	M 16	16	32,6	35,1	23,2	0,98	SYFWK 50 LTA

SKF Food Line Y-bearing units composite housings are lubricated for life. SKF does not recommend relubricating. If required units with relubrication fittings are available upon order. Please contact SKF for further details regarding delivery time and appropriate designations.



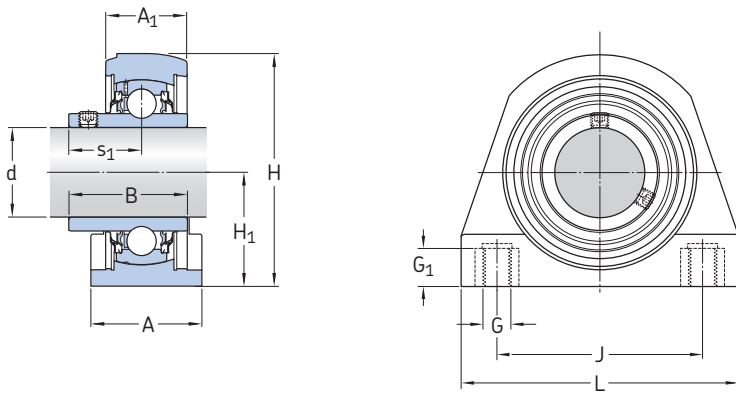
Designations Bearing unit	Separate components		Limiting speed with shaft tolerance	Mass Bearing unit	Appropriate covers	
	Housing	Bearing			Designation	Dimension
			h6			A <sub>5</sub>
			r/min	kg	–	mm
<b>SYFWK 20 LTHR</b>	SYFWK 504 L	YAR 204-2RFGR/HV	5 000	0,26	ECL 204	20,3
<b>SYFWK 25 LTHR</b>	SYFWK 505 L	YAR 205-2RFGR/HV	4 300	0,33	ECL 205	22
<b>SYFWK 30 LTHR</b>	SYFWK 506 L	YAR 206-2RFGR/HV	3 800	0,5	ECL 206	26,8
<b>SYFWK 35 LTHR</b>	SYFWK 507 L	YAR 207-2RFGR/HV	3 200	0,69	ECL 207	28,4
<b>SYFWK 40 LTHR</b>	SYFWK 508 L	YAR 208-2RFGR/HV	2 800	0,86	ECL 208	33,5
<b>SYFWK 50 LTHR</b>	SYFWK 510 L	YAR 210-2RFGR/HV	2 200	1,25	ECL 210	42,4

Designations Bearing unit	Separate components		Limiting speed with shaft tolerance	Mass Bearing unit	Appropriate covers	
	Housing	Bearing			Designation	Dimension
			h6			A <sub>5</sub>
			r/min	kg	–	mm
<b>SYFWK 20 LTA</b>	SYFWK 504 L	YAR 204-2RF/VE495	5 000	0,26	ECL 204	20,3
<b>SYFWK 25 LTA</b>	SYFWK 505 L	YAR 205-2RF/VE495	4 300	0,33	ECL 205	22
<b>SYFWK 30 LTA</b>	SYFWK 506 L	YAR 206-2RF/VE495	3 800	0,5	ECL 206	26,8
<b>SYFWK 35 LTA</b>	SYFWK 507 L	YAR 207-2RF/VE495	3 200	0,69	ECL 207	28,4
<b>SYFWK 40 LTA</b>	SYFWK 508 L	YAR 208-2RF/VE495	2 800	0,86	ECL 208	33,5
<b>SYFWK 50 LTA</b>	SYFWK 510 L	YAR 210-2RF/VE495	2 200	1,25	ECL 210	42,4

Composite SKF Food Line Y-units short base plummer block stainless steel bearings, inch shafts

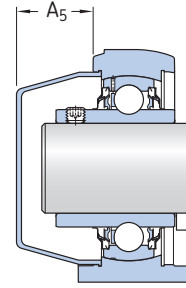
d  $\frac{3}{4} - 1 \frac{15}{16}$  in.

19,05 – 49,213 mm



Dimensions											Basic load ratings		Fatigue load limit P <sub>u</sub>	Designation Bearing unit
d	A	A <sub>1</sub>	B	H	H <sub>1</sub>	J	L	G	G <sub>1</sub>	s <sub>1</sub>	C	C <sub>0</sub>		
in./mm											lbf/kN		lbf/kN	–
$\frac{3}{4}$ 19,05	1.36 34,5	0.94 23,8	1.22 31	2.60 66	1.31 33,3	2.00 50,8	2.87 72,8	M 8 M 8	0.47 12	0.72 18,3	2 430 10,8	1 470 6,55	60 0,28	SYFWK 3/4 LTHR
<b>1</b> 25,4	1.55 39,5	1.00 25,4	1.34 34,1	2.89 73,5	1.44 36,5	2.00 50,8	3.00 76,2	M 10 M 10	0.47 12	0.78 19,8	2 680 11,9	1 760 7,8	80 0,335	SYFWK 1. LTHR
$1 \frac{3}{16}$ 30,163	1.67 42,5	1.10 28	1.50 38,1	3.31 84	1.69 42,9	3.00 76,2	3.98 101	M 10 M 10	0.47 12	0.87 22,2	3 670 16,3	2 520 11,2	110 0,475	SYFWK 1.3/16 LTHR
$1 \frac{1}{4}$ 31,75	1.67 42,5	1.10 28	1.50 38,1	3.31 84	1.69 42,9	3.00 76,2	3.98 101	M 10 M 10	0.47 12	0.87 22,2	3 670 16,3	2 520 11,2	110 0,475	SYFWK 1.1/4 ALTHR
	1.87 47,5	1.28 32,5	1.69 42,9	3.74 95	1.87 47,6	3.25 82,6	4.33 110	M 10 M 10	0.47 12	1.00 25,4	4 860 21,6	3 440 15,3	150 0,655	SYFWK 1.1/4 LTHR
$1 \frac{3}{8}$ 34,925	1.87 47,5	1.28 32,5	1.69 42,9	3.74 95	1.87 47,6	3.25 82,6	4.33 110	M 10 M 10	0.47 12	1.00 25,4	4 860 21,6	3 440 15,3	150 0,655	SYFWK 1.3/8 LTHR
$1 \frac{7}{16}$ 36,513	1.87 47,5	1.28 32,5	1.69 42,9	3.74 95	1.87 47,6	3.25 82,6	4.33 110	M 10 M 10	0.47 12	1.00 25,4	4 860 21,6	3 440 15,3	150 0,655	SYFWK 1. 7/16 LTHR
$1 \frac{1}{2}$ 38,1	1.89 48	1.38 35	1.94 49,2	3.96 100,5	1.94 49,2	3.50 88,9	4.72 120	M 12 M 12	0.63 16	1.19 30,2	5 845 26	4 280 19	180 0,8	SYFWK 1.1/2 LTHR
$1 \frac{15}{16}$ 49,213	2.13 54	1.54 39	2.03 51,6	4.53 115	2.25 57,2	4.00 101,6	5.31 135	M 16 M 16	0.63 16	1.28 32,6	6 654 29,6	5 220 23,2	220 0,98	SYFWK 1.15/16 LTHR

SKF Food Line Y-bearing units composite housings are lubricated for life. SKF does not recommend relubricating. If required units with relubrication fittings are available upon order. Please contact SKF for further details regarding delivery time and appropriate designations.

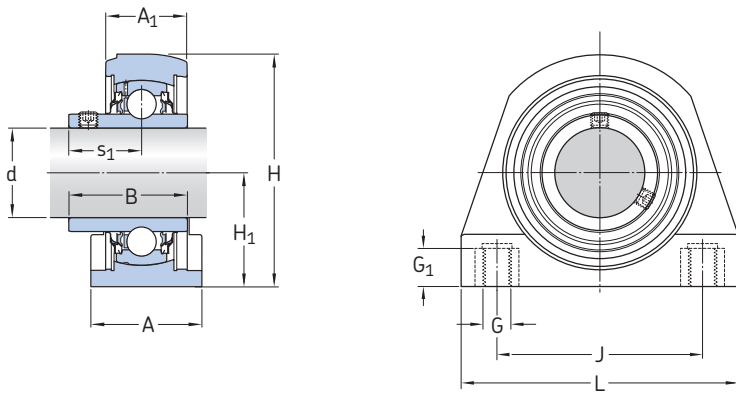


Designations Bearing unit	Separate components		Limiting speed with shaft tolerance	Mass Bearing unit	Appropriate cover	
	Housing	Bearing			Designation End cover closed	Dimension A <sub>5</sub>
			h6			
			r/min	lb/kg	in./mm	
<b>SYFWK 3/4 LTHR</b>	SYFWK 504 L	YAR 204-012-2RFGR/HV	5 000	0.60 0,27	ECL 204	0.80 20,3
<b>SYFWK 1. LTHR</b>	SYFWK 505 L	YAR 205-100-2RFGR/HV	4 300	0.74 0,34	ECL 205	0.87 22
<b>SYFWK 1.3/16 LTHR</b>	SYFWK 506 L	YAR 206-103-2RFGR/HV	3 800	1.10 0,5	ECL 206	1.05 26,8
<b>SYFWK 1.1/4 ALTHR</b>	SYFWK 506 L	YAR 206-104-2RFGR/HV	3 800	1.08 0,49	ECL 206	1.05 26,8
<b>SYFWK 1.1/4 LTHR</b>	SYFWK 507 L	YAR 207-104-2RFGR/HV	3 200	1.74 0,79	ECL 207	1.12 28,4
<b>SYFWK 1.3/8 LTHR</b>	SYFWK 507 L	YAR 207-106-2RFGR/HV	3 200	1.52 0,69	ECL 207	1.12 28,4
<b>SYFWK 1. 7/16 LTHR</b>	SYFWK 507 L	YAR 207-107-2RFGR/HV	3 200	1.54 0,70	ECL 207	1.12 28,4
<b>SYFWK 1.1/2 LTHR</b>	SYFWK 508 L	YAR 208-108-2RFGR/HV	2 800	1.89 0,86	ECL 208	1.32 33,5
<b>SYFWK 1.15/16 LTHR</b>	SYFWK 510 L	YAR 210-115-2RFGR/HV	2 200	2.93 1,33	ECL 210	1.67 42,4

Composite SKF Food Line Y-units short base plummer block zinc coated bearings, inch shafts

d  $\frac{3}{4}$  –  $1\frac{15}{16}$  in.

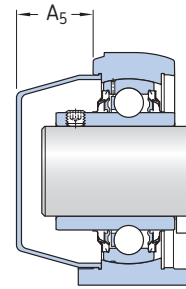
19,05 – 49,213 mm



Dimensions

d	Dimensions										Basic load ratings		Fatigue load limit	Designation
	A	A <sub>1</sub>	B	H	H <sub>1</sub>	J	L	G	G <sub>1</sub>	s <sub>1</sub>	dynamic	static	P <sub>u</sub>	Bearing unit
in./mm											lbf/kN		lbf/kN	–
$\frac{3}{4}$ 19,05	1.36 34,5	0.94 23,8	1.22 31	2.60 66	1.31 33,3	2.00 50,8	2.87 72,8	M 8 M 8	0.47 12	0.72 18,3	2 860 12,7	1 470 6,55	60 0,28	SYFWK 3/4 LTA
$\frac{15}{16}$ 23,81	1.55 39,5	1.00 25,4	1.34 34,1	2.89 73,5	1.44 36,5	2.00 50,8	3.00 76,2	M 10 M 10	0.47 12	0.78 19,8	3 150 14	1 760 7,8	80 0,335	SYFWK 15/16 LTA
<b>1</b> 25,4	1.55 39,5	1.00 25,4	1.34 34,1	2.89 73,5	1.44 36,5	2.00 50,8	3.00 76,2	M 10 M 10	0.47 12	0.78 19,8	3 150 14	1 760 7,8	80 0,335	SYFWK 1. LTA
$1\frac{3}{16}$ 30,163	1.67 42,5	1.10 28	1.50 38,1	3.31 84	1.69 42,9	3.00 76,2	3.98 101	M 10 M 10	0.47 12	0.87 22,2	4 390 19,5	11.2 11,2	110 0,475	SYFWK 1.3/16 LTA
$1\frac{1}{4}$ 31,75	1.67 42,5	1.10 28	1.50 38,1	3.31 84	1.69 42,9	3.00 76,2	3.98 101	M 10 M 10	0.47 12	0.87 22,2	4 390 19,5	11.2 11,2	110 0,475	SYFWK 1.1/4 ALTA
	1.87 47,5	1.28 32,5	1.69 42,9	3.74 95	1.87 47,6	3.25 82,6	4.33 110	M 10 M 10	0.47 12	1.00 25,4	5 740 25,5	3 440 15,3	150 0,655	SYFWK 1.1/4 LTA
$1\frac{3}{8}$ 34,925	1.87 47,5	1.28 32,5	1.69 42,9	3.74 95	1.87 47,6	3.25 82,6	4.33 110	M 10 M 10	0.47 12	1.00 25,4	5 740 25,5	3 440 15,3	150 0,655	SYFWK 1.3/8 LTA
$1\frac{7}{16}$ 36,513	1.87 47,5	1.28 32,5	1.69 42,9	3.74 95	1.87 47,6	3.25 82,6	4.33 110	M 10 M 10	0.47 12	1.00 25,4	5 740 25,5	3 440 15,3	150 0,655	SYFWK 1. 7/16 LTA
$1\frac{1}{2}$ 38,1	1.89 48	1.38 35	1.94 49,2	3.96 100,5	1.94 49,2	3.50 88,9	4.72 120	M 12 M 12	0.63 16	1.19 30,2	6 910 30,7	4 280 19	180 0,8	SYFWK 1.1/2 LTA
$1\frac{15}{16}$ 49,213	2.13 54	1.54 39	2.03 51,6	4.53 115	2.25 57,2	4.00 101,6	5.31 135	M 16 M 16	0.63 16	1.28 32,6	7 900 35,1	5 220 23,2	220 0,98	SYFWK 1.15/16 LTA

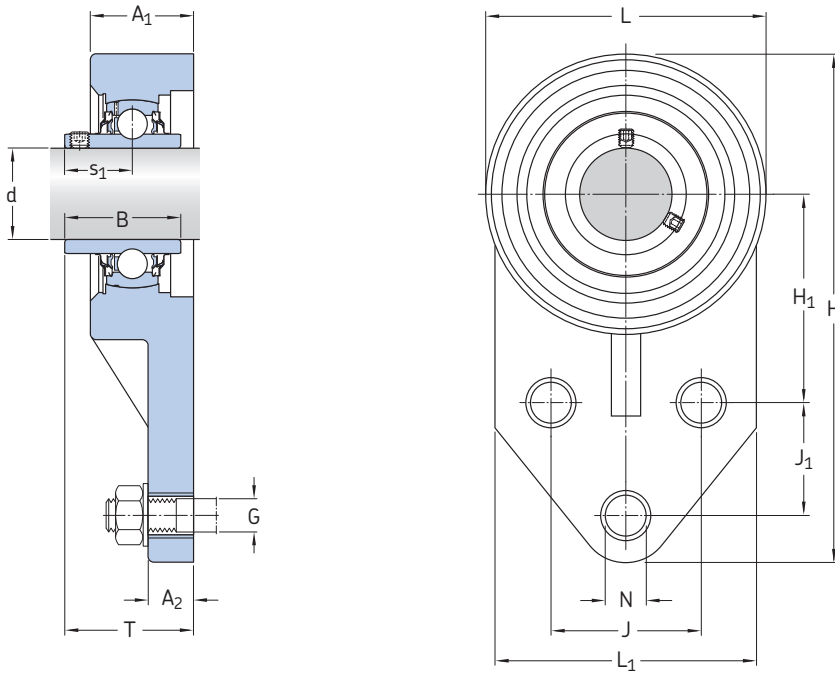
SKF Food Line Y-bearing units composite housings are lubricated for life. SKF does not recommend relubricating. If required units with relubrication fittings are available upon order. Please contact SKF for further details regarding delivery time and appropriate designations.



Designations Bearing unit	Separate components		Limiting speed with shaft tolerance	Mass Bearing unit	Appropriate cover	
	Housing	Bearing			Designation End cover closed	Dimension A <sub>5</sub>
			h6			
–			r/min	lb/kg	–	in./mm
SYFWK 3/4 LTA	SYFWK 504 L	YAR 204-012-2RF/VE495	5 000	0.60 0,27	ECL 204	0.80 20,3
SYFWK 15/16 LTA	SYFWK 505 L	YAR 205-015-2RF/VE495	4 300	0.74 0,34	ECL 205	0.87 22
SYFWK 1. LTA	SYFWK 505 L	YAR 205-100-2RF/VE495	4 300	0.74 0,34	ECL 205	0.87 22
SYFWK 1.3/16 LTA	SYFWK 506 L	YAR 206-103-2RF/VE495	3 800	1.10 0,5	ECL 206	1.05 26,8
SYFWK 1.1/4 ALTA	SYFWK 506 L	YAR 206-104-2RF/VE495	3 800	1.08 0,49	ECL 206	1.05 26,8
SYFWK 1.1/4 LTA	SYFWK 507 L	YAR 207-104-2RF/VE495	3 200	1.74 0,79	ECL 207	1.12 28,4
SYFWK 1.3/8 LTA	SYFWK 507 L	YAR 207-106-2RF/VE495	3 200	1.52 0,69	ECL 207	1.12 28,4
SYFWK 1. 7/16 LTA	SYFWK 507 L	YAR 207-107-2RF/VE495	3 200	1.54 0,70	ECL 207	1.12 28,4
SYFWK 1.1/2 LTA	SYFWK 508 L	YAR 208-108-2RF/VE495	2 800	1.89 0,86	ECL 208	1.32 33,5
SYFWK 1.15/16 LTA	SYFWK 510 L	YAR 210-115-2RF/VE495	2 200	2.93 1,33	ECL 210	1.67 42,4

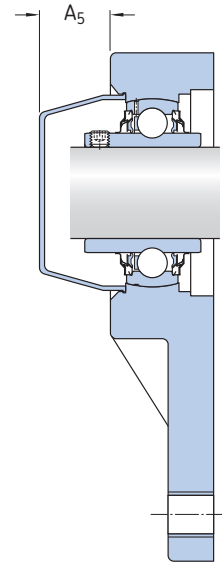
Composite SKF Food Line Y-units 3-bolt flange stainless steel bearings, metric shafts

d 20 – 50 mm



Dimensions														Basic load ratings		Fatigue	Designation
d	A <sub>1</sub>	A <sub>2</sub>	H	B	L	L <sub>1</sub>	J	H <sub>1</sub>	J <sub>1</sub>	N	G	T	s <sub>1</sub>	dynamic	static	load limit	Bearing unit
mm														kN		kN	–
20	26,5	11,4	108	31	63,5	62	38,1	42,9	22,2	10,7	10	33,7	18,3	10,8	6,55	0,28	FYAWK 20 LTHR
25	34	11,4	120,6	34,1	70	63,5	41,3	46	28,6	10,7	10	41,6	19,8	11,9	7,8	0,335	FYAWK 25 LTHR
30	32	13,3	138,5	38,1	83	76	47,6	52,4	31,8	10,7	10	41,5	22,2	16,3	11,2	0,475	FYAWK 30 LTHR
35	36,5	16,1	157	42,9	95	89	50,8	60,3	31,8	13,1	12	47,1	25,4	21,6	15,3	0,655	FYAWK 35 LTHR
40	40	16,5	164	49,2	100	78	50	60	41	13,1	12	53,2	30,2	26	19	0,8	FYAWK 40 LTHR
50	43	20	185	51,6	112	100	60	68	46	14	12	57,6	32,6	29,6	23,2	0,98	FYAWK 50 LTHR

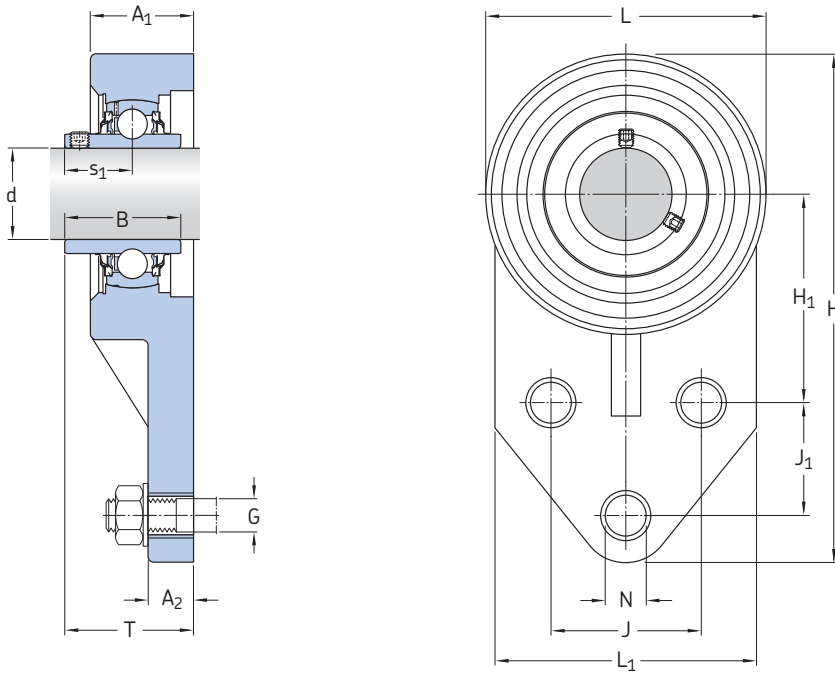
SKF Food Line Y-bearing units composite housings are lubricated for life. SKF does not recommend relubricating. If required units with relubrication fittings are available upon order. Please contact SKF for further details regarding delivery time and appropriate designations.



Designations Bearing unit	Separate components		Limiting speed with shaft tolerance	Mass Bearing unit	Appropriate cover	
	Housing	Bearing			Designation	Dimension
			h6		End cover closed	A <sub>5</sub>
			r/min	kg	–	mm
<b>FYAWK 20 LTHR</b>	FYAWK 504 L	YAR 204-2RFGR/HV	5 000	0,25	ECL 204	20,3
<b>FYAWK 25 LTHR</b>	FYAWK 505 L	YAR 205-2RFGR/HV	4 300	0,30	ECL 205	22,2
<b>FYAWK 30 LTHR</b>	FYAWK 506 L	YAR 206-2RFGR/HV	3 800	0,46	ECL 206	26,9
<b>FYAWK 35 LTHR</b>	FYAWK 507 L	YAR 207-2RFGR/HV	3 200	0,66	ECL 207	28,6
<b>FYAWK 40 LTHR</b>	FYAWK 508 L	YAR 208-2RFGR/HV	2 800	0,88	ECL 208	33,5
<b>FYAWK 50 LTHR</b>	FYAWK 510 L	YAR 210-2RFGR/HV	2 200	1,08	ECL 210	43

Composite SKF Food Line Y-units 3-bolt flange zinc coated bearings, metric shafts

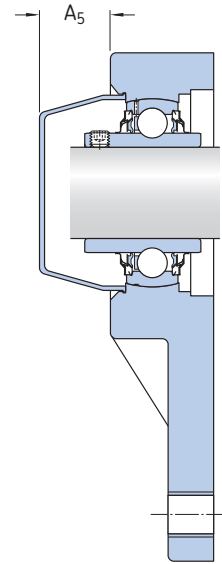
d 20 – 50 mm



Dimensions

d	Dimensions													Basic load ratings		Fatigue	Designation
	A <sub>1</sub>	A <sub>2</sub>	H	B	L	L <sub>1</sub>	J	H <sub>1</sub>	J <sub>1</sub>	N	G	T	s <sub>1</sub>	dynamic	static	load limit	Bearing unit
mm														kN	kN	kN	–
20	26,5	11,4	108	31	63,5	62	38,1	42,9	22,2	10,7	10	33,7	18,3	12,7	6,55	0,28	FYAWK 20 LTA
25	34	11,4	120,6	34,1	70	63,5	41,3	46	28,6	10,7	10	41,6	19,8	14	7,8	0,335	FYAWK 25 LTA
30	32	13,3	138,5	38,1	83	76	47,6	52,4	31,8	10,7	10	41,5	22,2	19,5	11,2	0,475	FYAWK 30 LTA
35	36,5	16,1	157	42,9	95	89	50,8	60,3	31,8	13,1	12	47,1	25,4	25,5	15,3	0,655	FYAWK 35 LTA
40	40	16,5	164	49,2	100	78	50	60	41	13,1	12	53,2	30,2	30,7	19	0,8	FYAWK 40 LTA
50	43	20	185	51,6	112	100	60	68	46	14	12	57,6	32,6	35,1	23,2	0,98	FYAWK 50 LTA

SKF Food Line Y-bearing units composite housings are lubricated for life. SKF does not recommend relubricating. If required units with relubrication fittings are available upon order. Please contact SKF for further details regarding delivery time and appropriate designations.

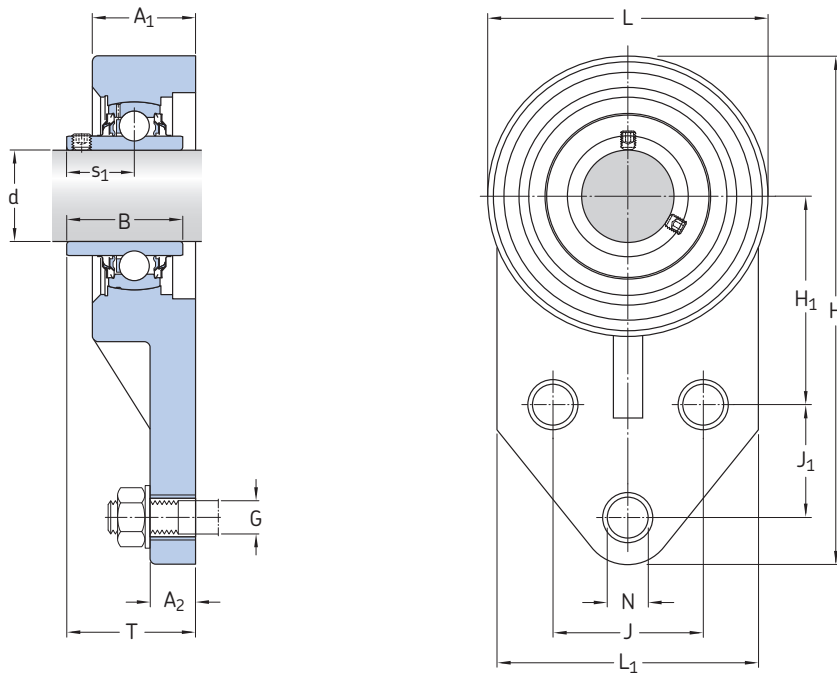


Designations Bearing unit	Separate components		Limiting speed with shaft tolerance	Mass Bearing unit	Appropriate cover	
	Housing	Bearing			Designation End cover closed	Dimension A <sub>5</sub>
			h6			
			r/min	kg	–	mm
<b>FYAWK 20 LTA</b>	FYAWK 504 L	YAR 204-2RF/VE495	5 000	0,25	ECL 204	20,3
<b>FYAWK 25 LTA</b>	FYAWK 505 L	YAR 205-2RF/VE495	4 300	0,30	ECL 205	22,2
<b>FYAWK 30 LTA</b>	FYAWK 506 L	YAR 206-2RF/VE495	3 800	0,46	ECL 206	26,9
<b>FYAWK 35 LTA</b>	FYAWK 507 L	YAR 207-2RF/VE495	3 200	0,66	ECL 207	28,6
<b>FYAWK 40 LTA</b>	FYAWK 508 L	YAR 208-2RF/VE495	2 800	0,88	ECL 208	33,5
<b>FYAWK 50 LTA</b>	FYAWK 510 L	YAR 210-2RF/VE495	2 200	1,08	ECL 210	43

Composite SKF Food Line Y-units 3-bolt flange stainless steel bearings, inch shafts

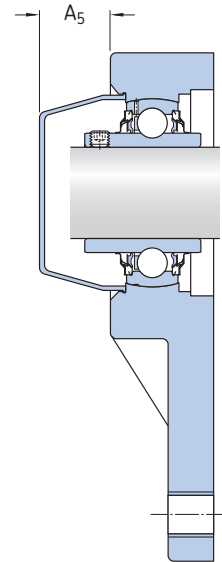
d  $\frac{3}{4}$  –  $1\frac{15}{16}$  in.

19,05 – 49,213 mm



Dimensions														Basic load ratings		Fatigue load limit	Designation
d	A <sub>1</sub>	A <sub>2</sub>	H	B	L	L <sub>1</sub>	J	H <sub>1</sub>	J <sub>1</sub>	N	G	T	s <sub>1</sub>	C	C <sub>0</sub>	P <sub>u</sub>	Bearing unit
in./mm														lbf/kN		lbf/kN	–
$\frac{3}{4}$ 19,05	1.04 26,5	0.45 11,4	4.25 108	1.22 31	2.50 63,5	2.44 62	1.50 38,1	1.69 42,9	0.87 22,2	0.42 10,7	$\frac{3}{8}$ 33,7	1.33 18,3	0.72 18,3	2 430 10,8	1 470 6,55	60 0,28	FYAWK $\frac{3}{4}$ LTHR
<b>1</b> 25,4	1.34 34	0.45 11,4	4.75 120,6	1.34 34,1	2.76 70,0	2.50 63,5	1.63 41,3	1.81 46	1.13 28,6	0.42 10,7	$\frac{3}{8}$ 41,6	1.64 19,8	0.78 11,9	2 680 11,9	1 760 7,8	80 0,335	FYAWK <b>1</b> . LTHR
$1\frac{3}{16}$ 30,163	1.26 32	0.52 13,3	5.45 138,5	1.50 38,1	3.27 83,0	2.99 76	1.87 47,6	2.06 52,4	1.25 31,8	0.42 10,7	$\frac{3}{8}$ 41,5	1.63 22,2	0.87 16,3	3 670 16,3	2 520 11,2	110 0,475	FYAWK $1\frac{3}{16}$ LTHR
$1\frac{1}{4}$ 31,75	1.26 32	0.52 13,3	5.45 138,5	1.50 38,1	3.27 83,0	2.99 76	1.87 47,6	2.06 52,4	1.25 31,8	0.42 10,7	$\frac{3}{8}$ 41,5	1.63 22,2	0.87 16,3	3 670 16,3	2 520 11,2	110 0,475	FYAWK $1\frac{1}{4}$ ALTHR
	1.44 36,5	0.63 16,1	6.18 157	1.69 42,9	3.74 95,0	3.50 89	2.00 50,8	2.37 60,3	1.25 31,8	0.52 13,1	$\frac{1}{2}$ 47,1	1.85 25,4	1.00 21,6	4 860 21,6	3 440 15,3	150 0,655	FYAWK $1\frac{1}{4}$ LTHR
	1.44 36,5	0.63 16,1	6.18 157	1.69 42,9	3.74 95,0	3.50 89	2.00 50,8	2.37 60,3	1.25 31,8	0.52 13,1	$\frac{1}{2}$ 47,1	1.85 25,4	1.00 21,6	4 860 21,6	3 440 15,3	150 0,655	FYAWK $1\frac{3}{8}$ LTHR
$1\frac{3}{8}$ 34,925	1.44 36,5	0.63 16,1	6.18 157	1.69 42,9	3.74 95,0	3.50 89	2.00 50,8	2.37 60,3	1.25 31,8	0.52 13,1	$\frac{1}{2}$ 47,1	1.85 25,4	1.00 21,6	4 860 21,6	3 440 15,3	150 0,655	FYAWK $1\frac{3}{8}$ LTHR
$1\frac{7}{16}$ 36,513	1.44 36,5	0.63 16,1	6.18 157	1.69 42,9	3.74 95,0	3.50 89	2.00 50,8	2.37 60,3	1.25 31,8	0.52 13,1	$\frac{1}{2}$ 47,1	1.85 25,4	1.00 21,6	4 860 21,6	3 440 15,3	150 0,655	FYAWK $1\frac{7}{16}$ LTHR
$1\frac{1}{2}$ 38,1	1.57 40	0.65 16,5	6.46 164	1.94 49,2	3.94 100	3.07 78	1.97 50	2.36 60	1.61 41	0.52 13,1	$\frac{1}{2}$ 53,2	2.09 30,2	1.19 30,2	5 845 26	4 280 19	180 0,8	FYAWK $1\frac{1}{2}$ LTHR
$1\frac{15}{16}$ 49,213	1.69 43	0.79 20	7.28 185	2.03 51,6	4.41 112	3.94 100	2.36 60	2.68 68	1.81 46	0.55 14	$\frac{1}{2}$ 57,6	2.27 32,6	1.28 29,6	6 654 29,6	5 220 23,2	220 0,98	FYAWK $1\frac{15}{16}$ LTHR

SKF Food Line Y-bearing units composite housings are lubricated for life. SKF does not recommend relubricating. If required units with relubrication fittings are available upon order. Please contact SKF for further details regarding delivery time and appropriate designations.

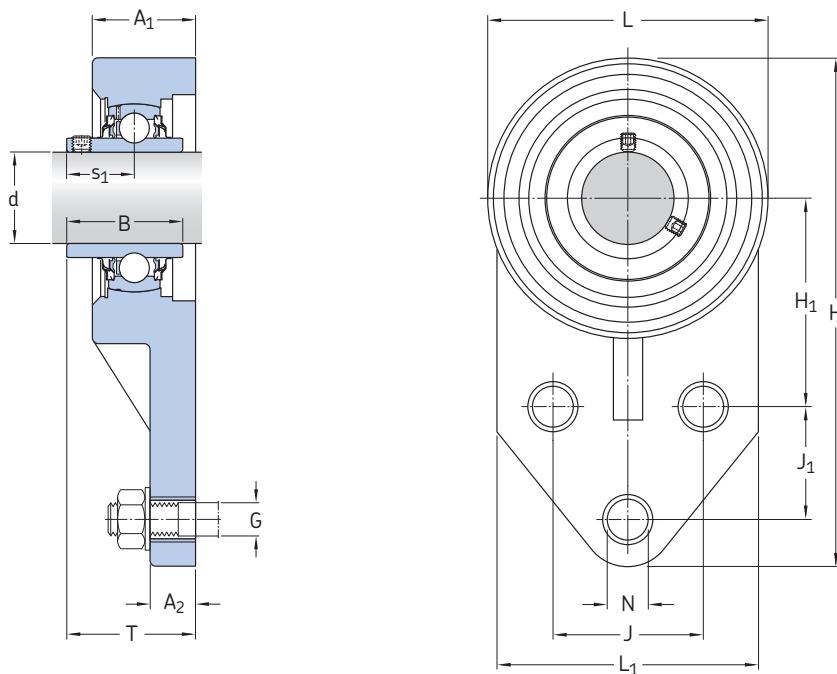


Designations Bearing unit	Separate components		Limiting speed with shaft tolerance	Mass Bearing unit	Appropriate cover	
	Housing	Bearing			Designation End cover closed	Dimension A <sub>5</sub>
			h6			
			r/min	lb/kg	in./mm	
FYAWK 3/4 LTHR	FYAWK 504 L	YAR 204-012-2RFGR/HV	5 000	0.59 0,60	ECL 204	0.80 20,3
FYAWK 1. LTHR	FYAWK 505 L	YAR 205-100-2RFGR/HV	4 300	0.68 0,31	ECL 205	0.87 22,2
FYAWK 1.3/16 LTHR	FYAWK 506 L	YAR 206-103-2RFGR/HV	3 800	1.01 0,46	ECL 206	1.06 26,9
FYAWK 1.1/4 ALTHR	FYAWK 506 L	YAR 206-104-2RFGR/HV	3 800	0.99 0,45	ECL 206	1.06 26,9
FYAWK 1.1/4 LTHR	FYAWK 507 L	YAR 207-104-2RFGR/HV	3 200	1.67 0,76	ECL 207	1.13 28,6
FYAWK 1.3/8 LTHR	FYAWK 507 L	YAR 207-106-2RFGR/HV	3 200	1.45 0,66	ECL 207	1.13 28,6
FYAWK 1. 7/16 LTHR	FYAWK 507 L	YAR 207-107-2RFGR/HV	3 200	1.47 0,67	ECL 207	1.13 28,6
FYAWK 1.1/2 LTHR	FYAWK 508 L	YAR 208-108-2RFGR/HV	2 800	1.94 0,88	ECL 208	1.32 33,5
FYAWK 1.15/16 LTHR	FYAWK 510 L	YAR 210-115-2RFGR/HV	2 200	2.33 1,06	ECL 210	1.69 43

Composite SKF Food Line Y-units 3-bolt flange zinc coated bearings, inch shafts

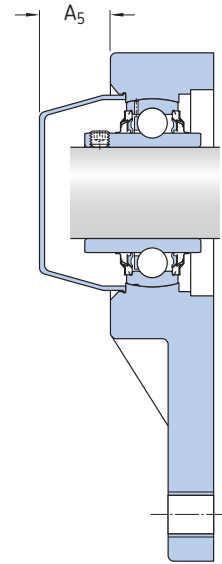
d 3/4 – 1 15/16 in.

19,05 – 49,213 mm



Dimensions														Basic load ratings		Fatigue load limit P <sub>u</sub>	Designation Bearing unit
d	A <sub>1</sub>	A <sub>2</sub>	H	B	L	L <sub>1</sub>	J	H <sub>1</sub>	J <sub>1</sub>	N	G	T	s <sub>1</sub>	C	C <sub>0</sub>		
in./mm														lbf/kN		lbf/kN	–
3/4 19,05	1,04 26,5	0,45 11,4	4,25 108	1,22 31	2,50 63,5	2,44 62	1,50 38,1	1,69 42,9	0,87 22,2	0,42 10,7	3/8 33,7	1,33 18,3	0,72 18,3	2 860 12,7	1 470 6,55	60 0,28	FYAWK 3/4 LTA
15/16 23,81	1,34 34	0,45 11,4	4,75 120,6	1,34 34,1	2,76 70,0	2,50 63,5	1,63 41,3	1,81 46	1,13 28,6	0,42 10,7	3/8 41,6	1,64 19,8	0,78 19,8	3 150 14	1 760 7,8	80 0,335	FYAWK 15/16 LTA
1 25,4	1,34 34	0,45 11,4	4,75 120,6	1,34 34,1	2,76 70,0	2,50 63,5	1,63 41,3	1,81 46	1,13 28,6	0,42 10,7	3/8 41,6	1,64 19,8	0,78 19,8	3 150 14	1 760 7,8	80 0,335	FYAWK 1. LTA
1 3/16 30,163	1,26 32	0,52 13,3	5,45 138,5	1,50 38,1	3,27 83,0	2,99 76	1,87 47,6	2,06 52,4	1,25 31,8	0,42 10,7	3/8 41,5	1,63 22,2	0,87 19,5	4 390 19,5	2 520 11,2	110 0,475	FYAWK 1.3/16 LTA
1 1/4 31,75	1,26 32	0,52 13,3	5,45 138,5	1,50 38,1	3,27 83,0	2,99 76	1,87 47,6	2,06 52,4	1,25 31,8	0,42 10,7	3/8 41,5	1,63 22,2	0,87 19,5	4 390 19,5	2 520 11,2	110 0,475	FYAWK 1.1/4 ALTA
																	FYAWK 1.1/4 LTA
1 3/8 34,925	1,44 36,5	0,63 16,1	6,18 157	1,69 42,9	3,74 95,0	3,50 89	2,00 50,8	2,37 60,3	1,25 31,8	0,52 13,1	1/2 47,1	1,85 25,4	1,00 25,5	5 740 25,5	3 440 15,3	150 0,655	FYAWK 1.3/8 LTA
																	FYAWK 1. 7/16 LTA
1 7/16 36,513	1,44 36,5	0,63 16,1	6,18 157	1,69 42,9	3,74 95,0	3,50 89	2,00 50,8	2,37 60,3	1,25 31,8	0,52 13,1	1/2 47,1	1,85 25,4	1,00 25,5	5 740 25,5	3 440 15,3	150 0,655	FYAWK 1. 7/16 LTA
																	FYAWK 1.1/2 LTA
1 1/2 38,1	1,57 40	0,65 16,5	6,46 164	1,94 49,2	3,94 100	3,07 78	1,97 50	2,36 60	1,61 41	0,52 13,1	1/2 53,2	2,09 30,2	1,19 30,7	6 910 30,7	4 280 19	180 0,8	FYAWK 1.1/2 LTA
																	FYAWK 1.15/16 LTA
1 15/16 49,213	1,69 43	0,79 20	7,28 185	2,03 51,6	4,41 112	3,94 100	2,36 60	2,68 68	1,81 46	0,55 14	1/2 57,6	2,27 32,6	1,28 35,1	7 900 35,1	5 220 23,2	220 0,98	FYAWK 1.15/16 LTA

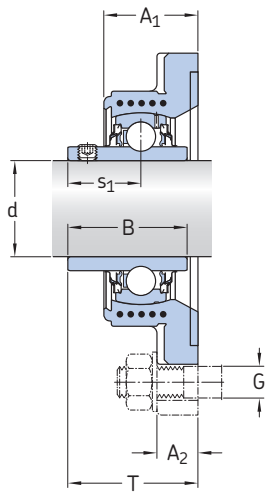
SKF Food Line Y-bearing units composite housings are lubricated for life. SKF does not recommend relubricating. If required units with relubrication fittings are available upon order. Please contact SKF for further details regarding delivery time and appropriate designations.



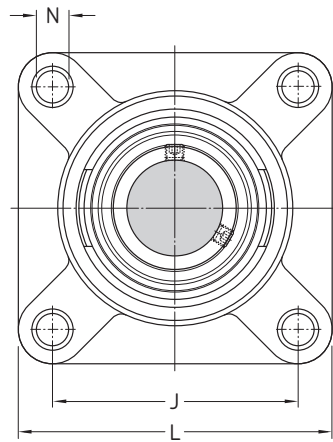
Designations Bearing unit	Separate components		Limiting speed with shaft tolerance	Mass Bearing unit	Appropriate cover	
	Housing	Bearing			Designation End cover closed	Dimension A <sub>5</sub>
			h6			
			r/min	lb/kg	in./mm	
FYAWK 3/4 LTA	FYAWK 504 L	YAR 204-012-2RF/VE495	5 000	0.59 0,60	ECL 204	0.80 20,3
FYAWK 15/16 LTA	FYAWK 505 L	YAR 205-015-2RF/VE495	4 300	0.73 0,33	ECL 205	0.87 22,2
FYAWK 1. LTA	FYAWK 505 L	YAR 205-100-2RF/VE495	4 300	0.68 0,31	ECL 205	0.87 22,2
FYAWK 1.3/16 LTA	FYAWK 506 L	YAR 206-103-2RF/VE495	3 800	1.01 0,46	ECL 206	1.06 26,9
FYAWK 1.1/4 ALTA	FYAWK 506 L	YAR 206-104-2RF/VE495	3 800	0.99 0,45	ECL 206	1.06 26,9
FYAWK 1.1/4 LTA	FYAWK 507 L	YAR 207-104-2RF/VE495	3 200	1.67 0,76	ECL 207	1.13 28,6
FYAWK 1.3/8 LTA	FYAWK 507 L	YAR 207-106-2RF/VE495	3 200	1.45 0,66	ECL 207	1.13 28,6
FYAWK 1. 7/16 LTA	FYAWK 507 L	YAR 207-107-2RF/VE495	3 200	1.47 0,67	ECL 207	1.13 28,6
FYAWK 1.1/2 LTA	FYAWK 508 L	YAR 208-108-2RF/VE495	2 800	1.94 0,88	ECL 208	1.32 33,5
FYAWK 1.15/16 LTA	FYAWK 510 L	YAR 210-115-2RF/VE495	2 200	2.33 1,06	ECL 210	1.69 43

Composite SKF Food Line Y-units square flanged stainless steel bearings, metric shafts

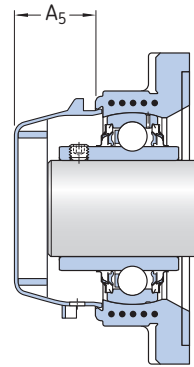
d 20 – 50 mm



FYWK ..Y..

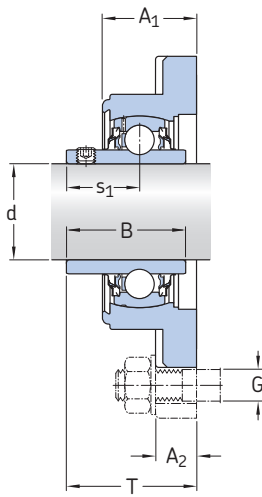


ECW 2..

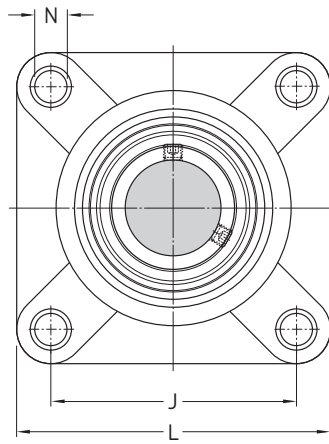


Dimensions										Basic load ratings		Fatigue load limit	Limiting speed with shaft tolerance h6	Designation Bearing unit
d	A <sub>1</sub>	A <sub>2</sub>	B	J	L	N	G	s <sub>1</sub>	T	C	C <sub>0</sub>			
mm										kN		kN	r/min	–
20	30	15	31	63,5	86	12	10	18,3	37,3	10,8	6,55	0,28	5 000	FYWK 20 YTH
25	31	15	34,1	70	95	12	10	19,8	38,8	11,9	7,8	0,335	4 300	FYWK 25 YTH
30	33	15,3	38,1	82,5	108	12	10	22,2	42,2	16,3	11,2	0,475	3 800	FYWK 30 YTH
35	35	17	42,9	92	118	14,5	12	25,4	46,4	21,6	15,3	0,655	3 200	FYWK 35 YTH
40	39	17	49,2	101,5	130	14,5	12	30,2	54,2	26	19	0,8	2 800	FYWK 40 YTH
50	43	21	51,6	111	143	17	16	32,6	57,6	29,6	23,2	0,98	2 200	FYWK 50 LTHR

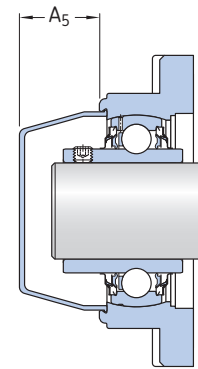
SKF Food Line Y-bearing units composite housings are lubricated for life. SKF does not recommend relubricating. If required units with relubrication fittings are available upon order. Please contact SKF for further details regarding delivery time and appropriate designations.



FYWK .. L..



ECL 2..

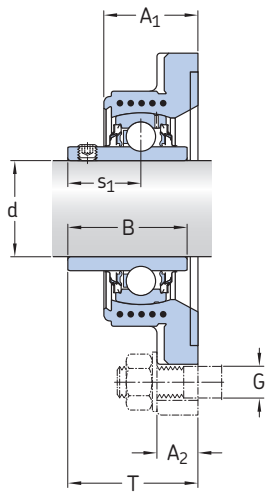


Designations Bearing unit	Separate components		Limiting speed with shaft tolerance	Mass Bearing unit	Appropriate cover	
	Housing	Bearing			Designation End cover closed	Dimension A <sub>5</sub>
			h6			
			r/min	kg	–	mm
FYWK 20 YTH	FYWK 504 Y	YAR 204-2RF/HV	5 000	0,29	ECW 204	26
FYWK 25 YTH	FYWK 505 Y	YAR 205-2RF/HV	4 300	0,36	ECW 205	25,5
FYWK 30 YTH	FYWK 506 Y	YAR 206-2RF/HV	3 800	0,50	ECW 206	30,5
FYWK 35 YTH	FYWK 507 Y	YAR 207-2RF/HV	3 200	0,74	ECW 207	32
FYWK 40 YTH	FYWK 508 Y	YAR 208-2RF/HV	2 800	0,97	ECW 208	33
FYWK 50 LTHR	FYWK 510 L	YAR 210-2RFGR/HV	2 200	1,25	ECL 210	42,7

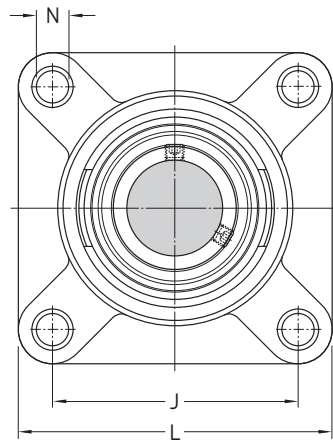


Composite SKF Food Line Y-units square flanged zinc coated bearings, metric shafts

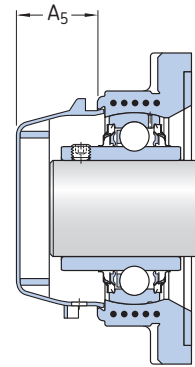
d 20 – 50 mm



FYWK..Y..

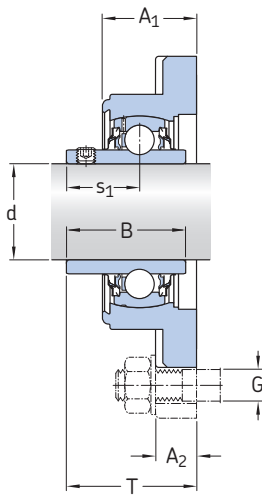


ECW 2..

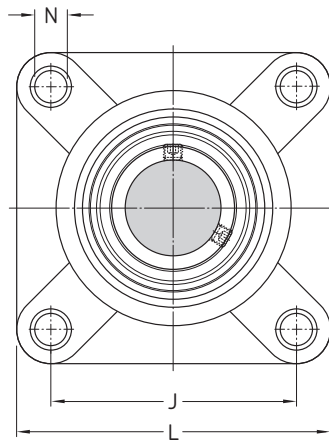


Dimensions										Basic load ratings		Fatigue load limit	Limiting speed with shaft tolerance h6	Designation Bearing unit
d	A <sub>1</sub>	A <sub>2</sub>	B	J	L	N	G	s <sub>1</sub>	T	C	C <sub>0</sub>			
mm										kN		kN	r/min	–
20	30	15	31	63,5	86	12	10	18,3	37,3	12,7	6,55	0,28	5 000	FYWK 20 YTA
25	31	15	34,1	70	95	12	10	19,8	38,8	14	7,8	0,335	4 300	FYWK 25 YTA
30	33	15,3	38,1	82,5	108	12	10	22,2	42,2	19,5	11,2	0,475	3 800	FYWK 30 YTA
35	35	17	42,9	92	118	14,5	12	25,4	46,4	25,5	15,3	0,655	3 200	FYWK 35 YTA
40	39	17	49,2	101,5	130	14,5	12	30,2	54,2	30,7	19	0,8	2 800	FYWK 40 YTA
50	43	21	51,6	111	143	17	16	32,6	57,6	35,1	23,2	0,98	2 200	FYWK 50 LTA

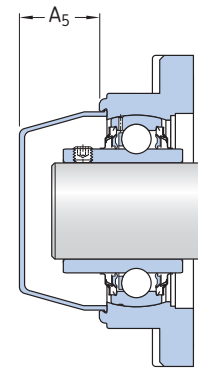
SKF Food Line Y-bearing units composite housings are lubricated for life. SKF does not recommend relubricating. If required units with relubrication fittings are available upon order. Please contact SKF for further details regarding delivery time and appropriate designations.



FYWK .. Y..



ECL 2..



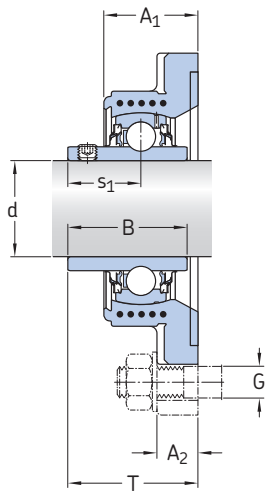
Designations Bearing unit	Separate components		Limiting speed with shaft tolerance	Mass Bearing unit	Appropriate cover	
	Housing	Bearing			Designation End cover closed	Dimension A <sub>5</sub>
			h6			
			r/min	kg	-	mm
FYWK 20 YTA	FYWK 504 Y	YAR 204-2RF/VE495	5 000	0,29	ECW 204	26
FYWK 25 YTA	FYWK 505 Y	YAR 205-2RF/VE495	4 300	0,36	ECW 205	25,5
FYWK 30 YTA	FYWK 506 Y	YAR 206-2RF/VE495	3 800	0,50	ECW 206	30,5
FYWK 35 YTA	FYWK 507 Y	YAR 207-2RF/VE495	3 200	0,74	ECW 207	32
FYWK 40 YTA	FYWK 508 Y	YAR 208-2RF/VE495	2 800	0,97	ECW 208	33
FYWK 50 LTA	FYWK 510 L	YAR 210-2RF/VE495	2 200	1,25	ECL 210	42,7



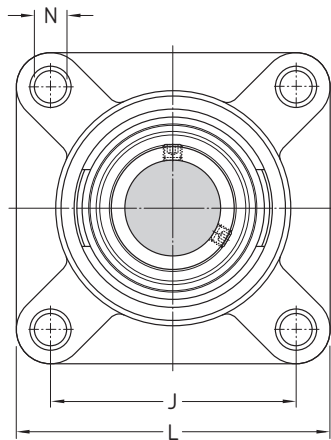
Composite SKF Food Line Y-units square flanged stainless steel bearings, inch shafts

d 3/4 – 1 15/16 in.

19,05 – 49,213 mm



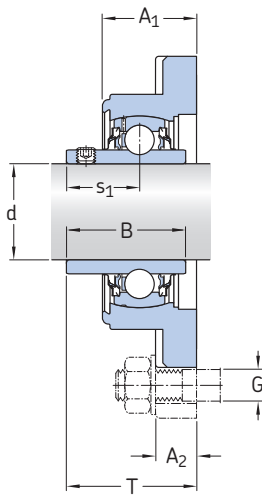
FYWK ..Y..



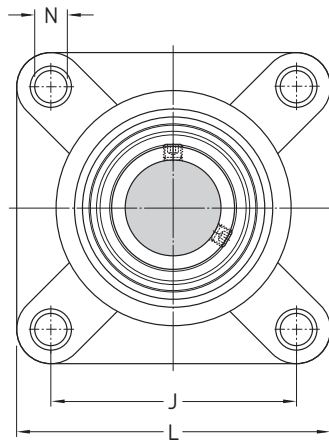
ECW 2..

Dimensions										Basic load ratings		Fatigue load limit	Designation
d	A <sub>1</sub>	A <sub>2</sub>	B	J	L	N	G	s <sub>1</sub>	T	C	C <sub>0</sub>	P <sub>u</sub>	Bearing unit
in./mm										lbf/kN		lbf/kN	–
3/4 19,05	1.18 30	0.59 15	1.22 31	2.50 63,5	3.38 86	0.47 12	3/8 10	0.72 18,3	1.47 37,3	2 430 10,8	1 470 6,55	60 0,28	FYWK 3/4 YTH
1 25,4	1.22 31	0.59 15	1.34 34,1	2.76 70	3.74 95	0.47 12	3/8 10	0.78 19,8	1.53 38,8	2 680 11,9	1 760 7,8	80 0,335	FYWK 1. YTH
1 3/16 30,163	1.30 33	0.60 15,3	1.50 38,1	3.25 82,5	4.25 108	0.47 12	3/8 10	0.87 22,2	1.66 42,2	3 670 16,3	2 520 11,2	110 0,475	FYWK 1.3/16 YTH
1 1/4 31,75	1.30 33	0.60 15,3	1.50 38,1	3.25 82,5	4.25 108	0.47 12	3/8 10	0.87 22,2	1.66 42,2	3 670 16,3	2 520 11,2	110 0,475	FYWK 1.1/4 AYTH
	1.38 35	0.67 17	1.69 42,9	3.62 92	4.64 118	0.57 14,5	1/2 12	1.00 25,4	1.83 46,4	4 860 21,6	3 440 15,3	150 0,655	FYWK 1.1/4 YTH
1 3/8 34,925	1.38 35	0.67 17	1.69 42,9	3.62 92	4.64 118	0.57 14,5	1/2 12	1.00 25,4	1.83 46,4	4 860 21,6	3 440 15,3	150 0,655	FYWK 1.3/8 YTH
1 7/16 36,513	1.38 35	0.67 17	1.69 42,9	3.62 92	4.64 118	0.57 14,5	1/2 12	1.00 25,4	1.83 46,4	4 860 21,6	3 440 15,3	150 0,655	FYWK 1.7/16 YTH
1 1/2 38,1	1.54 39	0.67 17	1.94 42,9	4.00 101,5	5.12 130	0.57 14,5	1/2 12	1.19 30,2	2.13 54,2	5 845 26	4 280 19	180 0,8	FYWK 1.1/2 YTH
1 15/16 49,213	1.69 43	0.83 21	2.03 51,6	4.37 111	5.63 143	0.67 17	5/8 16	1.28 32,6	2.27 57,6	6 654 29,6	5 220 23,2	220 0,98	FYWK 1.15/16 LTHR

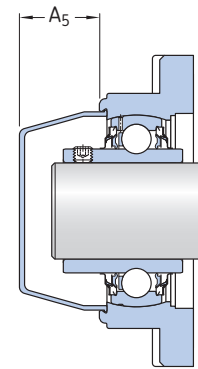
SKF Food Line Y-bearing units composite housings are lubricated for life. SKF does not recommend relubricating. If required units with relubrication fittings are available upon order. Please contact SKF for further details regarding delivery time and appropriate designations.



FYWK .. L..



ECL 2..



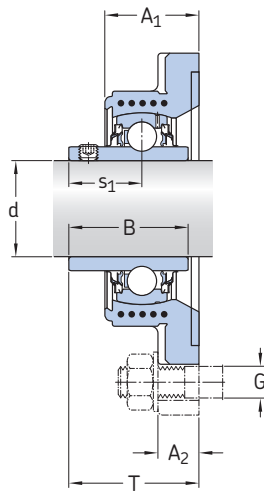
Designations Bearing unit	Separate components		Limiting speed with shaft tolerance h6	Mass Bearing unit lb/kg	Appropriate cover Designation End cover closed	Dimension A <sub>5</sub> in./mm
	Housing	Bearing				
–			r/min		–	in./mm
FYWK 3/4 YTH	FYWK 504 Y	YAR 204-012-2RF/HV	5 000	0.64 0,29	ECW 204	1.02 26
FYWK 1. YTH	FYWK 505 Y	YAR 205-100-2RF/HV	4 300	0.79 0,36	ECW 205	1.00 25,5
FYWK 1.3/16 YTH	FYWK 506 Y	YAR 206-103-2RF/HV	3 800	1.10 0,50	ECW 206	1.20 30,5
FYWK 1.1/4 AYTH	FYWK 506 Y	YAR 206-104-2RF/HV	3 800	1.10 0,50	ECW 206	1.20 30,5
FYWK 1.1/4 YTH	FYWK 507 Y	YAR 207-104-2RF/HV	3 200	1.63 0,74	ECW 207	1.26 32
FYWK 1.3/8 YTH	FYWK 507 Y	YAR 207-106-2RF/HV	3 200	1.63 0,74	ECW 207	1.26 32
FYWK 1.7/16 YTH	FYWK 507 Y	YAR 207-107-2RF/HV	3 200	1.63 0,74	ECW 207	1.26 32
FYWK 1.1/2 YTH	FYWK 508 Y	YAR 208-108-2RF/HV	2 800	1.14 0,97	ECW 208	1.30 33
FYWK 1.15/16 LTH	FYWK 510 L	YAR 210-115-2RFGR/HV	2 200	2.76 1,25	ECL 210	1.68 42,7



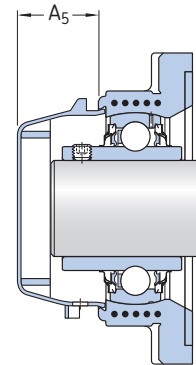
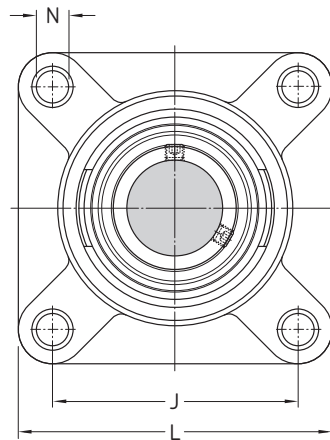
Composite SKF Food Line Y-units square flanged zinc coated bearings, inch shafts

d 3/4 – 1 15/16 in.

19,05 – 49,213 mm



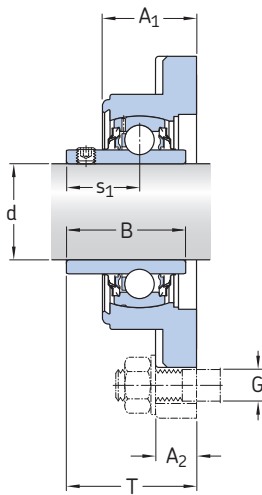
FYWK .. Y..



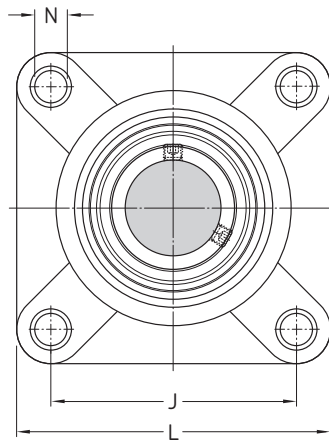
ECW 2..

Dimensions										Basic load ratings		Fatigue load limit	Designation
d	A <sub>1</sub>	A <sub>2</sub>	B	J	L	N	G	s <sub>1</sub>	T	C	C <sub>0</sub>	P <sub>u</sub>	Bearing unit
in./mm										lbf/kN		lbf/kN	–
3/4 19,05	1.18 30	0.59 15	1.22 31	2.50 63,5	3.38 86	0.47 12	3/8 10	0.72 18,3	1.47 37,3	2 860 12,7	1 470 6,55	60 0,28	FYWK 3/4 YTA
15/16 23,81	1.22 31	0.59 15	1.34 34,1	2.76 70	3.74 95	0.47 12	3/8 10	0.78 19,8	1.53 38,8	3 150 14	1 760 7,8	80 0,335	FYWK 15/16 YTA
1 25,4	1.22 31	0.59 15	1.34 34,1	2.76 70	3.74 95	0.47 12	3/8 10	0.78 19,8	1.53 38,8	3 150 14	1 760 7,8	80 0,335	FYWK 1. YTA
1 3/16 30,163	1.30 33	0.60 15,3	1.50 38,1	3.25 82,5	4.25 108	0.47 12	3/8 10	0.87 22,2	1.66 42,2	4 390 19,5	2 520 11,2	110 0,475	FYWK 1.3/16 YTA
1 1/4 31,75	1.30 33	0.60 15,3	1.50 38,1	3.25 82,5	4.25 108	0.47 12	3/8 10	0.87 22,2	1.66 42,2	4 390 19,5	2 520 11,2	110 0,475	FYWK 1.1/4 AYTA
	1.38 35	0.67 17	1.69 42,9	3.62 92	4.64 118	0.57 14,5	1/2 12	1.00 25,4	1.83 46,4	5 740 25,5	3 440 15,3	150 0,655	FYWK 1.1/4 YTA
1 3/8 34,925	1.38 35	0.67 17	1.69 42,9	3.62 92	4.64 118	0.57 14,5	1/2 12	1.00 25,4	1.83 46,4	5 740 25,5	3 440 15,3	150 0,655	FYWK 1.3/8 YTA
1 7/16 36,513	1.38 35	0.67 17	1.69 42,9	3.62 92	4.64 118	0.57 14,5	1/2 12	1.00 25,4	1.83 46,4	5 740 25,5	3 440 15,3	150 0,655	FYWK 1.7/16 YTA
1 1/2 38,1	1.54 39	0.67 17	1.94 49,2	4.00 101,5	5.12 130	0.57 14,5	1/2 12	1.19 30,2	2.13 54,2	6 910 30,7	4 280 19	180 0,8	FYWK 1.1/2 YTA
1 15/16 49,213	1.69 43	0.83 21	2.03 51,6	4.37 111	5.63 143	0.67 17	5/8 16	1.28 32,6	2.27 57,6	7 900 35,1	5 220 23,2	220 0,98	FYWK 1.15/16 LTA

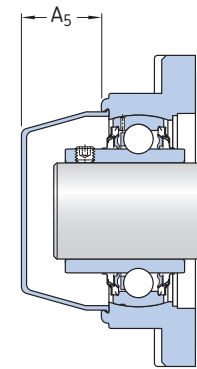
SKF Food Line Y-bearing units composite housings are lubricated for life. SKF does not recommend relubricating. If required units with relubrication fittings are available upon order. Please contact SKF for further details regarding delivery time and appropriate designations.



FYWK .. L..



ECL 2..

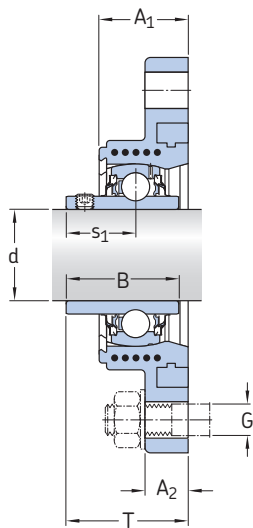


Designations Bearing unit	Separate components		Limiting speed with shaft tolerance h6	Mass Bearing unit lb/kg	Appropriate cover Designation End cover closed	Dimension A <sub>5</sub> in./mm
	Housing	Bearing				
–	–	–	r/min	–	–	in./mm
FYWK 3/4 YTA	FYWK 504 Y	YAR 204-012-2RF/VE495	5 000	0.64 0,29	ECW 204	1.02 26
FYWK 15/16 YTA	FYWK 505 Y	YAR 205-015-2RF/VE495	4 300	0.86 0,39	ECW 205	1.00 25,5
FYWK 1. YTA	FYWK 505 Y	YAR 205-100-2RF/VE495	4 300	0.79 0,36	ECW 205	1.00 25,5
FYWK 1.3/16 YTA	FYWK 506 Y	YAR 206-103-2RF/VE495	3 800	1.10 0,50	ECW 206	1.20 30,5
FYWK 1.1/4 AYTA	FYWK 506 Y	YAR 206-104-2RF/VE495	3 800	1.10 0,50	ECW 206	1.20 30,5
FYWK 1.1/4 YTA	FYWK 507 Y	YAR 207-104-2RF/VE495	3 200	1.63 0,74	ECW 207	1.26 32
FYWK 1.3/8 YTA	FYWK 507 Y	YAR 207-106-2RF/VE495	3 200	1.63 0,74	ECW 207	1.26 32
FYWK 1.7/16 YTA	FYWK 507 Y	YAR 207-107-2RF/VE495	3 200	1.63 0,74	ECW 207	1.26 32
FYWK 1.1/2 YTA	FYWK 508 Y	YAR 208-108-2RF/VE495	2 800	1.14 0,97	ECW 208	1.30 33
FYWK 1.15/16 LTA	FYWK 510 L	YAR 210-115-2RF/VE495	2 200	2.76 1,25	ECL 210	1.68 42,7

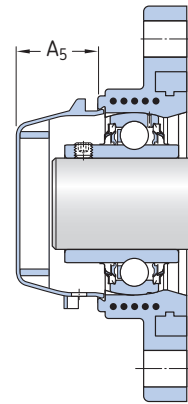
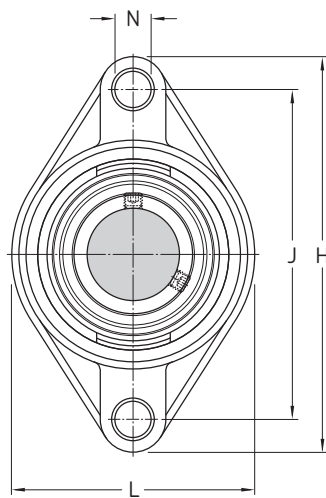


Composite SKF Food Line Y-units oval flanged stainless steel bearings, metric shafts

d 20 – 50 mm



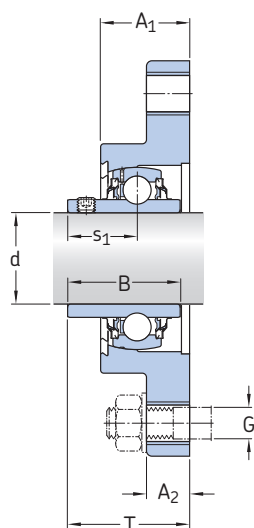
FYTWK.. Y..



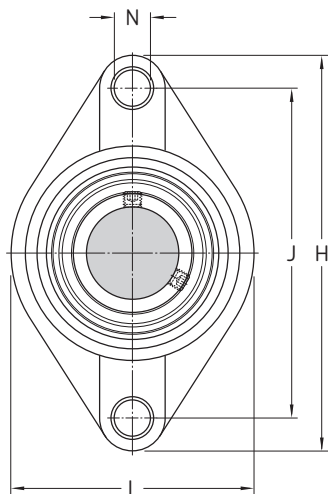
ECW 2..

Dimensions											Basic load ratings		Fatigue load limit	Designation
d	A <sub>1</sub>	A <sub>2</sub>	B	H	J	L	N	G	s <sub>1</sub>	T	C	C <sub>0</sub>	P <sub>u</sub>	Bearing unit
mm											kN		kN	–
20	29,5	15	31	112	90	60,5	12	10	18,3	37,3	10,8	6,55	0,28	FYTWK 20 YTH
25	30	15	34,1	124	99	70	12	10	19,8	38,8	11,9	7,8	0,335	FYTWK 25 YTH
30	33	15	38,1	142,5	116,5	83	12	10	22,2	42,2	16,3	11,2	0,475	FYTWK 30 YTH
35	35	17	42,9	156	130	96	14,5	12	25,4	46,4	21,6	15,3	0,655	FYTWK 35 YTH
40	37,5	20	49,2	175	144	100	14	12	30,2	51,2	26	19	0,8	FYTWK 40 LTHR
50	43	21	51,6	197	157	115	17	16	32,6	57,6	29,6	23,2	0,98	FYTWK 50 LTHR

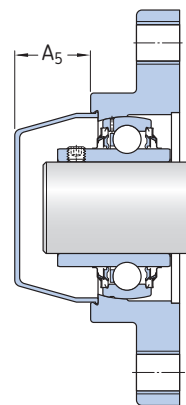
SKF Food Line Y-bearing units composite housings are lubricated for life. SKF does not recommend relubricating. If required units with relubrication fittings are available upon order. Please contact SKF for further details regarding delivery time and appropriate designations.



FYTWK .. L..



ECL 2..

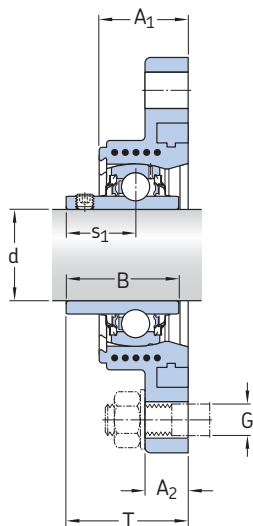


Designations Bearing unit	Separate components		Limiting speed with shaft tolerance	Mass Bearing unit	Appropriate cover	
	Housing	Bearing			Designation End cover closed	Dimension A <sub>5</sub>
			h6			
			r/min	kg	-	mm
FYTWK 20 YTH	FYTWK 504 Y	YAR 204-2RF/HV	5 000	0,24	ECW 204	26
FYTWK 25 YTH	FYTWK 505 Y	YAR 205-2RF/HV	4 300	0,29	ECW 205	26
FYTWK 30 YTH	FYTWK 506 Y	YAR 206-2RF/HV	3 800	0,44	ECW 206	30,5
FYTWK 35 YTH	FYTWK 507 Y	YAR 207-2RF/HV	3 200	0,61	ECW 207	32
FYTWK 40 LTHR	FYTWK 508 L	YAR 208-2RFGR/HV	2 800	0,87	ECL 208	33,5
FYTWK 50 LTHR	FYTWK 510 L	YAR 210-2RFGR/HV	2 200	1,20	ECL 210	42,3

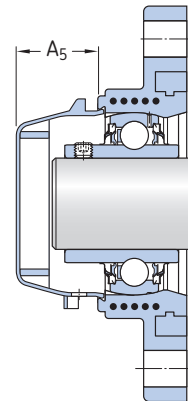
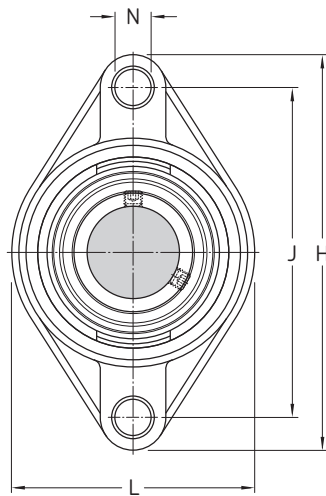


Composite SKF Food Line Y-units oval flanged zinc coated bearings, metric shafts

d 20 – 50 mm



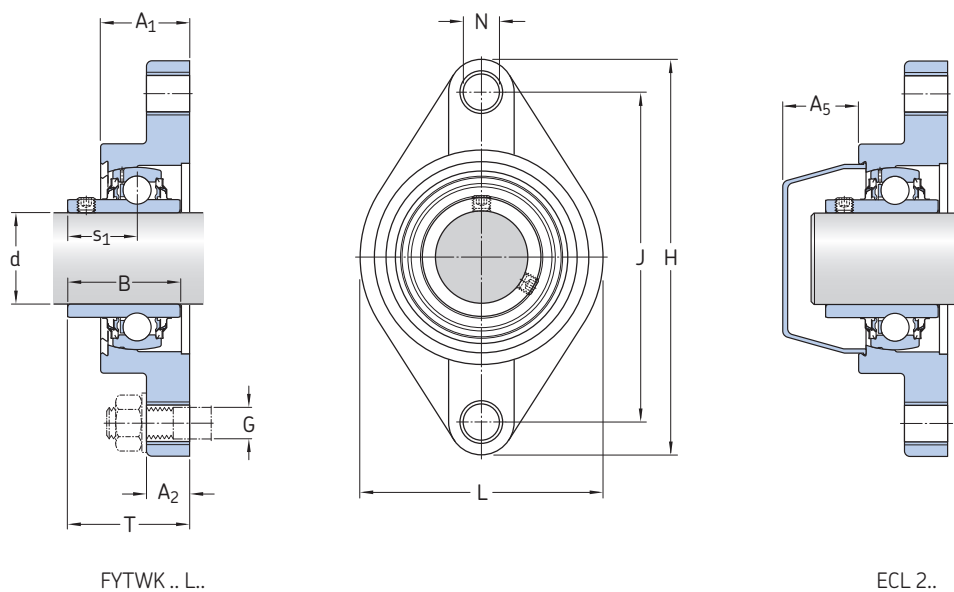
FYTWK..Y..



ECW 2..

Dimensions											Basic load ratings		Fatigue load limit	Designation
d	A <sub>1</sub>	A <sub>2</sub>	B	H	J	L	N	G	s <sub>1</sub>	T	C	C <sub>0</sub>	P <sub>u</sub>	Bearing unit
mm											kN		kN	–
20	29,5	15	31	112	90	60,5	12	10	18,3	37,3	12,7	6,55	0,28	FYTWK 20 YTA
25	30	15	34,1	124	99	70	12	10	19,8	38,8	14	7,8	0,335	FYTWK 25 YTA
30	33	15	38,1	142,5	116,5	83	12	10	22,2	42,2	19,5	11,2	0,475	FYTWK 30 YTA
35	35	17	42,9	156	130	96	14,5	12	25,4	46,4	25,5	15,3	0,655	FYTWK 35 YTA
40	37,5	20	49,2	175	144	100	14	12	30,2	51,2	30,7	19	0,8	FYTWK 40 LTA
50	43	21	51,6	197	157	115	17	16	32,6	57,6	35,1	23,2	0,98	FYTWK 50 LTA

SKF Food Line Y-bearing units composite housings are lubricated for life. SKF does not recommend relubricating. If required units with relubrication fittings are available upon order. Please contact SKF for further details regarding delivery time and appropriate designations.



FYTWK .. L..

ECL 2..

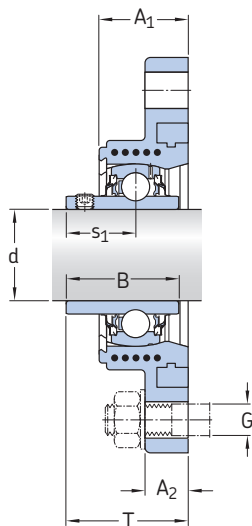
Designations Bearing unit	Separate components		Limiting speed with shaft tolerance h6	Mass Bearing unit	Appropriate cover	
	Housing	Bearing			Designation End cover closed	Dimension A <sub>5</sub>
–	–	–	r/min	kg	–	mm
FYTWK 20 YTA	FYTWK 504 Y	YAR 204-2RF/VE495	5 000	0,24	ECW 204	26
FYTWK 25 YTA	FYTWK 505 Y	YAR 205-2RF/VE495	4 300	0,29	ECW 205	26
FYTWK 30 YTA	FYTWK 506 Y	YAR 206-2RF/VE495	3 800	0,44	ECW 206	30,5
FYTWK 35 YTA	FYTWK 507 Y	YAR 207-2RF/VE495	3 200	0,61	ECW 207	32
FYTWK 40 LTA	FYTWK 508 L	YAR 208-2RF/VE495	2 800	0,87	ECL 208	33,5
FYTWK 50 LTA	FYTWK 510 L	YAR 210-2RF/VE495	2 200	1,20	ECL 210	42,3



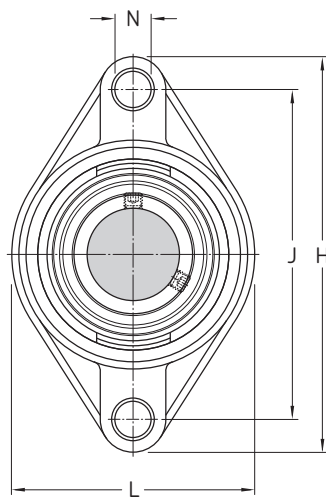
Composite SKF Food Line Y-units oval flanged stainless steel bearings, inch shafts

d  $\frac{3}{4}$  –  $1\frac{15}{16}$  in.

19,05 – 49,213 mm



FYTWK.. Y..

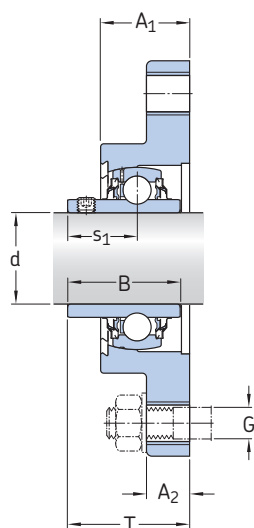


ECW 2..

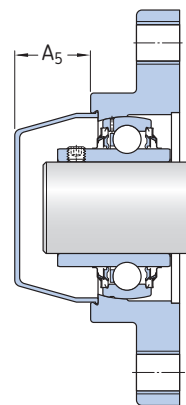
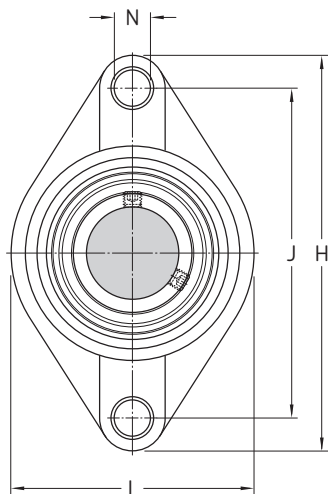
Dimensions

d	A <sub>1</sub>	A <sub>2</sub>	B	H	J	L	N	G	s <sub>1</sub>	T	Basic load ratings		Fatigue	Designation
											dynamic	static	load limit	
											C	C <sub>0</sub>	P <sub>u</sub>	Bearing unit
in./mm											lbf/kN		lbf/kN	–
$\frac{3}{4}$ 19,05	1.16 29,5	0.59 15	1.22 31	4.41 112	3.54 90	2.38 60,5	0.47 12	$\frac{3}{8}$ 10	0.72 18,3	1.47 37,3	2 430 10,8	1 470 6,55	60 0,28	FYTWK 3/4 YTH
<b>1</b> 25,4	1.18 30	0.59 15	1.34 34,1	4.88 124	3.90 99	2.76 70	0.47 12	$\frac{3}{8}$ 10	0.78 19,8	1.5272 38,8	2 680 11,9	1 760 7,8	80 0,335	FYTWK 1. YTH
$1\frac{3}{16}$ 30,163	1.30 33	0.59 15	1.50 38,1	5.61 142,5	4.59 116,5	3.27 83	0.47 12	$\frac{3}{8}$ 10	0.87 22,2	1.6610 42,2	3 670 16,3	2 520 11,2	110 0,475	FYTWK 1.3/16 YTH
$1\frac{1}{4}$ 31,75	1.30 33	0.59 15	1.50 38,1	5.61 142,5	4.59 116,5	3.27 83	0.47 12	$\frac{3}{8}$ 10	0.87 22,2	1.6610 42,2	3 670 16,3	2 520 11,2	110 0,475	FYTWK 1.1/4 AYTH
	1.38 35	0.67 17	1.69 42,9	6.14 156	5.12 130	3.78 96	0.57 14,5	$\frac{1}{2}$ 12	1.00 25,4	1.8263 46,4	4 860 21,6	3 440 15,3	150 0,655	FYTWK 1.1/4 YTH
$1\frac{3}{8}$ 34,925	1.38 35	0.67 17	1.69 42,9	6.14 156	5.12 130	3.78 96	0.57 14,50	$\frac{1}{2}$ 12	1.00 25,4	1.8263 46,4	4 860 21,6	3 440 15,3	150 0,655	FYTWK 1.3/8 YTH
	$1\frac{7}{16}$ 36,513	1.38 35	0.67 17	1.69 42,9	6.14 156	5.12 130	3.78 96	0.57 14,50	$\frac{1}{2}$ 12	1.00 25,4	4 860 21,6	3 440 15,3	150 0,655	FYTWK 1.7/16 YTH
$1\frac{1}{2}$ 38,1	1.48 37,50	0.79 20	1.94 49,2	6.89 175	5.67 144	3.94 100	0.55 14	$\frac{1}{2}$ 12	1.19 30,2	2.0152 51,2	5 845 26	4 280 19	180 0,8	FYTWK 1.1/2 LTHR
	$1\frac{15}{16}$ 49,213	1.69 43	0.83 21	2.03 51,6	7.75 197	6.18 157	4.53 115	0.67 17	$\frac{5}{8}$ 16	1.28 32,6	2.2671 57,6	6 654 29,6	5 220 23,2	220 0,98

SKF Food Line Y-bearing units composite housings are lubricated for life. SKF does not recommend relubricating. If required units with relubrication fittings are available upon order. Please contact SKF for further details regarding delivery time and appropriate designations.



FYTWK .. L..



ECL 2..

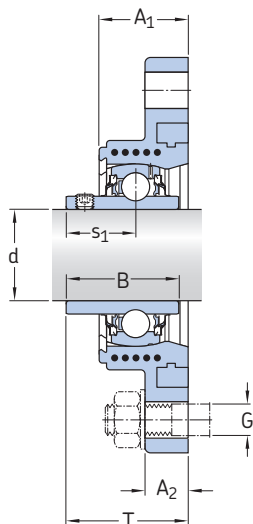
Designations Bearing unit	Separate components		Limiting speed with shaft tolerance h6	Mass Bearing unit lb/kg	Appropriate cover Designation End cover closed	Dimension A <sub>5</sub> in./mm
	Housing	Bearing				
–			r/min		–	in./mm
FYTWK 3/4 YTH	FYTWK 504 Y	YAR 204-012-2RF/HV	5 000	0.53 0,24	ECW 204	1.02 26
FYTWK 1. YTH	FYTWK 505 Y	YAR 205-100-2RF/HV	4 300	0.64 0,29	ECW 205	1.02 26
FYTWK 1.3/16 YTH	FYTWK 506 Y	YAR 206-103-2RF/HV	3 800	0.97 0,44	ECW 206	1.20 30,5
FYTWK 1.1/4 AYTH	FYTWK 506 Y	YAR 206-104-2RF/HV	3 800	0.97 0,44	ECW 206	1.20 30,5
FYTWK 1.1/4 YTH	FYTWK 507 Y	YAR 207-104-2RF/HV	3 200	1.34 0,61	ECW 207	1.26 32
FYTWK 1.3/8 YTH	FYTWK 507 Y	YAR 207-106-2RF/HV	3 200	1.34 0,61	ECW 207	1.26 32
FYTWK 1.7/16 YTH	FYTWK 507 Y	YAR 207-107-2RFG/HV	3 200	1.34 0,61	ECW 207	1.26 32
FYTWK 1.1/2 LTHR	FYTWK 508 L	YAR 208-108-2RFGR/HV	2 800	1.74 0,79	ECL 208	1.32 33,5
FYTWK 1.15/16 LTHR	FYTWK 510 L	YAR 210-115-2RFGR/HV	2 200	2.64 1,20	ECL 210	1.67 42,3



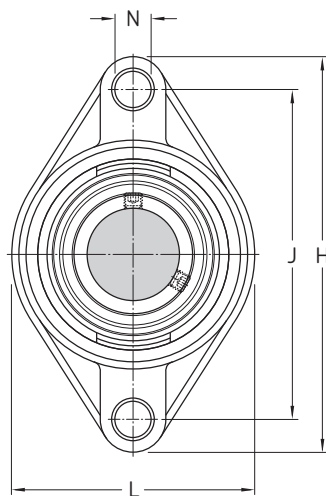
Composite SKF Food Line Y-units oval flanged zinc coated bearings, inch shafts

d 3/4 – 1 15/16 in.

19,05 – 49,213 mm



FYTWK.. Y.

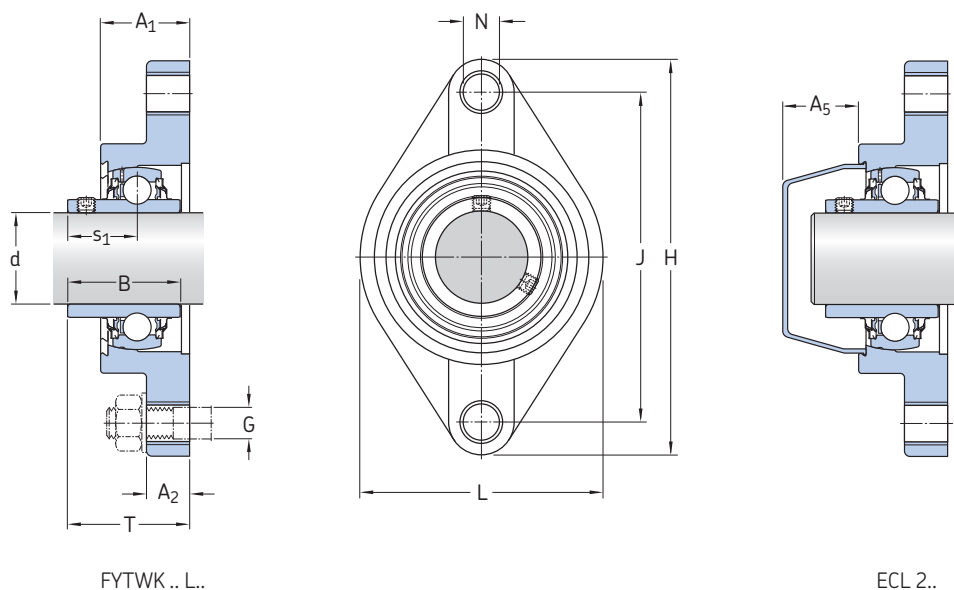


ECW 2..

Dimensions

d	Dimensions										Basic load ratings		Fatigue load limit	Designation
	A <sub>1</sub>	A <sub>2</sub>	B	H	J	L	N	G	s <sub>1</sub>	T	C	C <sub>0</sub>	P <sub>u</sub>	Bearing unit
in./mm											lbf/kN		lbf/kN	–
3/4 19,05	1.16 29,5	0.59 15	1.22 31	4.41 112	3.54 90	2.38 60,5	0.47 12	3/8 10	0.72 18,3	1.47 37,3	2 860 12,7	1 470 6,55	60 0,28	FYTWK 3/4 YTA
15/16 23,81	1.18 30	0.59 15	1.34 34,1	4.88 124	3.90 99	2.76 70	0.47 12	3/8 10	0.78 19,8	1.5272 38,8	3 150 14	1 760 7,8	80 0,335	FYTWK 15/16 YTA
1 25,4	1.18 30	0.59 15	1.34 34,1	4.88 124	3.90 99	2.76 70	0.47 12	3/8 10	0.78 19,8	1.5272 38,8	3 150 14	1 760 7,8	80 0,335	FYTWK 1. YTA
1 3/16 30,163	1.30 33	0.59 15	1.50 38,1	5.61 142,5	4.59 116,5	3.27 83	0.47 12	3/8 10	0.87 22,2	1.661 42,2	4 390 19,5	2 520 11,2	110 0,475	FYTWK 1.3/16 YTA
1 1/4 31,75	1.30 33	0.59 15	1.50 38,1	5.61 142,5	4.59 116,5	3.27 83	0.47 12	3/8 10	0.87 22,2	1.661 42,2	4 390 19,5	2 520 11,2	110 0,475	FYTWK 1.1/4 AYTA
	1.38 35	0.67 17	1.69 42,9	6.14 156	5.12 130	3.78 96	0.57 14,5	1/2 12	1.00 25,4	1.8263 46,4	5 740 25,5	3 440 15,3	150 0,655	FYTWK 1.1/4 YTA
1 3/8 34,925	1.38 35	0.67 17	1.69 42,9	6.14 156	5.12 130	3.78 96	0.57 14,50	1/2 12	1.00 25,4	1.8263 46,4	5 740 25,5	3 440 15,3	150 0,655	FYTWK 1.3/8 YTA
1 7/16 36,513	1.38 35	0.67 17	1.69 42,9	6.14 156	5.12 130	3.78 96	0.57 14,50	1/2 12	1.00 25,4	1.8263 46,4	5 740 25,5	3 440 15,3	150 0,655	FYTWK 1.7/16 YTA
1 1/2 38,1	1.48 37,50	0.79 20	1.94 49,2	6.89 175	5.67 144	3.94 100	0.55 14	1/2 12	1.19 30,2	2.0152 51,2	6 910 30,7	4 280 19	180 0,8	FYTWK 1.1/2 LTA
1 15/16 49,213	1.69 43	0.83 21	2.03 51,6	7.75 197	6.18 157	4.53 115	0.67 17	5/8 16	1.28 32,6	2.2671 57,6	7 900 35,1	5 220 23,2	220 0,98	FYTWK 1.15/16 LTA

SKF Food Line Y-bearing units composite housings are lubricated for life. SKF does not recommend relubricating. If required units with relubrication fittings are available upon order. Please contact SKF for further details regarding delivery time and appropriate designations.

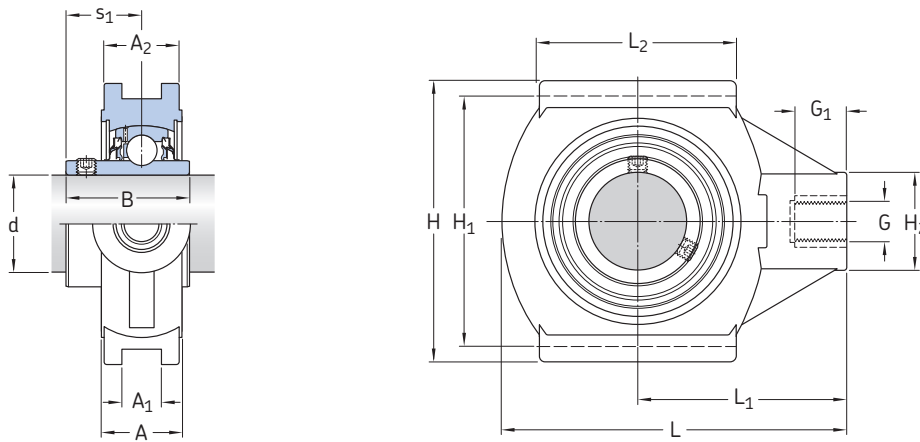


Designations Bearing unit	Separate components		Limiting speed with shaft tolerance	Mass Bearing unit	Appropriate cover	
	Housing	Bearing			Designation End cover closed	Dimension A <sub>5</sub>
			h6			
			r/min	lb/kg	in./mm	
FYTWK 3/4 YTA	FYTWK 504 Y	YAR 204-012-2RF/VE495	5 000	0.53 0,24	ECW 204	1.02 26
FYTWK 15/16 YTA	FYTWK 505 Y	YAR 205-015-2RF/VE495	4 300	0.70 0,32	ECW 205	1.02 26
FYTWK 1. YTA	FYTWK 505 Y	YAR 205-100-2RF/VE495	4 300	0.64 0,29	ECW 205	1.02 26
FYTWK 1.3/16 YTA	FYTWK 506 Y	YAR 206-103-2RF/VE495	3 800	0.97 0,44	ECW 206	1.20 30,5
FYTWK 1.1/4 AYTA	FYTWK 506 Y	YAR 206-104-2RF/VE495	3 800	0.97 0,44	ECW 206	1.20 30,5
FYTWK 1.1/4 YTA	FYTWK 507 Y	YAR 207-104-2RF/VE495	3 200	1.34 0,61	ECW 207	1.26 32
FYTWK 1.3/8 YTA	FYTWK 507 Y	YAR 207-106-2RF/VE495	3 200	1.34 0,61	ECW 207	1.26 32
FYTWK 1.7/16 YTA	FYTWK 507 Y	YAR 207-107-2RF/VE495	3 200	1.34 0,61	ECW 207	1.26 32
FYTWK 1.1/2 LTA	FYTWK 508 L	YAR 208-108-2RF/VE495	2 800	1.74 0,79	ECL 208	1.32 33,5
FYTWK 1.15/16 LTA	FYTWK 510 L	YAR 210-115-2RF/VE495	2 200	2.64 1,20	ECL 210	1.67 42,3



Composite SKF Food Line Y-units take up stainless steel bearings, metric shafts

d 20 – 50 mm



Dimensions

d	Dimensions													Basic load ratings		Fatigue	Designation
	A	A <sub>1</sub>	A <sub>2</sub>	B	H	H <sub>1</sub>	H <sub>2</sub>	L	L <sub>1</sub>	L <sub>2</sub>	G	G <sub>1</sub>	s <sub>1</sub>	C	C <sub>0</sub>	P <sub>u</sub>	Bearing unit
mm														kN		kN	–
20	27,5	12	24,5	31	89	76	36	99	64	46	M 16	21	18,3	10,8	6,55	0,28	TUWK 20 LTHR
25	27,5	12	24,5	34,1	89	76	36	99	64	46	M 16	21	19,8	11,9	7,8	0,335	TUWK 25 LTHR
30	34	12	30	38,1	102,5	89	40	125	76	63,5	M 16	21	22,2	16,3	11,2	0,475	TUWK 30 LTHR
35	34	12	30	42,9	102,5	89	40	125	76	63,5	M 16	21	25,4	21,6	15,3	0,655	TUWK 35 LTHR
40	34	16	32	49,2	114	102	40	140	85	80	M 16	21	30,2	26	19	0,8	TUWK 40 LTHR
50	38	16	35	51,6	117	102	50	149	90	85,5	M 20	25	32,6	29,6	23,2	0,98	TUWK 50 LTHR

SKF Food Line Y-bearing units composite housings are lubricated for life. SKF does not recommend relubricating. If required units with relubrication fittings are available upon order. Please contact SKF for further details regarding delivery time and appropriate designations.

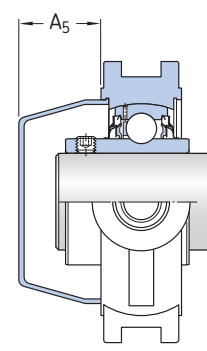
Composite SKF Food Line Y-units take up zinc coated bearings, metric shafts

d 20 – 50 mm

Dimensions

d	Dimensions													Basic load ratings		Fatigue	Designation
	A	A <sub>1</sub>	A <sub>2</sub>	B	H	H <sub>1</sub>	H <sub>2</sub>	L	L <sub>1</sub>	L <sub>2</sub>	G	G <sub>1</sub>	s <sub>1</sub>	C	C <sub>0</sub>	P <sub>u</sub>	Bearing unit
mm														kN		kN	–
20	27,5	12	24,5	31	89	76	36	99	64	46	M 16	21	18,3	12,7	6,55	0,28	TUWK 20 LTA
25	27,5	12	24,5	34,1	89	76	36	99	64	46	M 16	21	19,8	14	7,8	0,335	TUWK 25 LTA
30	34	12	30	38,1	102,5	89	40	125	76	63,5	M 16	21	22,2	19,5	11,2	0,475	TUWK 30 LTA
35	34	12	30	42,9	102,5	89	40	125	76	63,5	M 16	21	25,4	25,5	15,3	0,655	TUWK 35 LTA
40	34	16	32	49,2	114	102	40	140	85	80	M 16	21	30,2	30,7	19	0,8	TUWK 40 LTA
50	38	16	35	51,6	117	102	50	149	90	85,5	M 20	25	32,6	35,1	23,2	0,98	TUWK 50 LTA

SKF Food Line Y-bearing units composite housings are lubricated for life. SKF does not recommend relubricating. If required units with relubrication fittings are available upon order. Please contact SKF for further details regarding delivery time and appropriate designations.



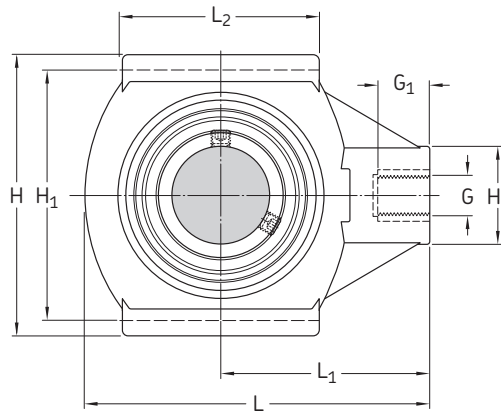
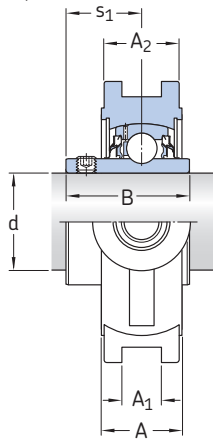
Designations Bearing unit	Separate components		Limiting speed with shaft tolerance	Mass Bearing unit	Appropriate cover Designation	Dimension A <sub>5</sub>
	Housing	Bearing				
			h6			
			r/min	kg	–	mm
TUWK 20 LTHR	TUWK 504 L	YAR 204-2RFGR/HV	5 000	0,33	ECL 204	20,5
TUWK 25 LTHR	TUWK 505 L	YAR 205-2RFGR/HV	4 300	0,38	ECL 205	22
TUWK 30 LTHR	TUWK 506 L	YAR 206-2RFGR/HV	3 800	0,61	ECL 206	26.5
TUWK 35 LTHR	TUWK 507 L	YAR 207-2RFGR/HV	3 200	0,74	ECL 207	28
TUWK 40 LTHR	TUWK 508 L	YAR 208-2RFGR/HV	2 800	0,89	ECL 208	33,5
TUWK 50 LTHR	TUWK 510 L	YAR 210-2RFGR/HV	2 200	1,14	ECL 210	43

Designations Bearing unit	Separate components		Limiting speed with shaft tolerance	Mass Bearing unit	Appropriate cover Designation	Dimension A <sub>5</sub>
	Housing	Bearing				
			h6			
			r/min	kg	–	mm
TUWK 20 LTA	TUWK 504 L	YAR 204-2RF/VE495	5 000	0,33	ECL 204	20,5
TUWK 25 LTA	TUWK 505 L	YAR 205-2RF/VE495	4 300	0,38	ECL 205	22
TUWK 30 LTA	TUWK 506 L	YAR 206-2RF/VE495	3 800	0,61	ECL 206	26,5
TUWK 35 LTA	TUWK 507 L	YAR 207-2RF/VE495	3 200	0,74	ECL 207	28
TUWK 40 LTA	TUWK 508 L	YAR 208-2RF/VE495	2 800	0,89	ECL 208	33,5
TUWK 50 LTA	TUWK 510 L	YAR 210-2RF/VE495	2 200	1,14	ECL 210	43

Composite SKF Food Line Y-units take up stainless steel bearings, inch shafts

d 3/4 – 1 15/16 in.

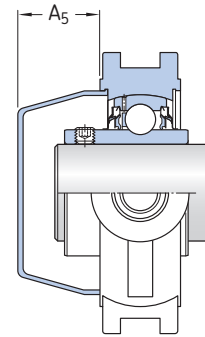
19,05 – 49,213 mm



Dimensions

d	Dimensions													Basic load ratings		Fatigue load limit P <sub>u</sub>	Designation Bearing unit
	A	A <sub>1</sub>	A <sub>2</sub>	B	H	H <sub>1</sub>	H <sub>2</sub>	L	L <sub>1</sub>	L <sub>2</sub>	G	G <sub>1</sub>	s <sub>1</sub>	C	C <sub>0</sub>		
in./mm														lbf/kN	lbf/kN	–	
3/4 19,05	1,08 27,5	0,47 12	0,96 24,5	1,22 31	3,50 89	2,99 76	1,42 36	3,90 99	2,52 64	1,81 46	M 16 M 16	0,83 21	0,72 18,3	2 430 10,8	1 470 6,5	60 0,28	TUWK 3/4 LTHR
1 25,4	1,08 27,5	0,47 12	0,96 24,5	1,34 34,1	3,50 89	2,99 76	1,42 36	3,90 99	2,52 64	1,81 46	M 16 M 16	0,83 21	0,78 19,8	2 680 11,9	1 760 7,8	80 0,335	TUWK 1. LTHR
1 3/16 30,163	1,34 34	0,47 12	1,18 30	1,50 38,1	4,04 102,5	3,50 89	1,57 40	4,92 125	2,99 76	2,50 63,5	M 16 M 16	0,83 21	0,87 22,2	3 670 16,3	2 520 11,2	110 0,475	TUWK 1.3/16 LTHR
1 1/4 31,75	1,34 34	0,47 12	1,18 30	1,69 42,9	4,04 102,5	3,50 89	1,57 40	4,92 125	2,99 76	2,50 63,5	M 16 M 16	0,83 21	1,00 25,4	4 860 21,6	3 440 15,3	110 0,655	TUWK 1.1/4 ALTHR
	1,34 34	0,47 12	1,18 30	1,69 42,9	4,04 102,5	3,50 89	1,57 40	4,92 125	2,99 76	2,50 63,5	M 16 M 16	0,83 21	1,00 25,4	4 860 21,6	3 440 15,3	110 0,655	TUWK 1.1/4 LTHR
1 3/8 34,925	1,34 34	0,47 12	1,18 30	1,69 42,9	4,04 102,5	3,50 89	1,57 40	4,92 125	2,99 76	2,50 63,5	M 16 M 16	0,83 21	1,00 25,4	4 860 21,6	3 440 15,3	110 0,655	TUWK 1.3/8 LTHR
	1,34 34	0,47 12	1,18 30	1,69 42,9	4,04 102,5	3,50 89	1,57 40	4,92 125	2,99 76	2,50 63,5	M 16 M 16	0,83 21	1,00 25,4	4 860 21,6	3 440 15,3	110 0,655	TUWK 1.7/16 LTHR
1 1/2 38,1	1,34 34	0,63 16	1,26 32	1,94 49,2	4,49 114	4,01 102	1,57 40	5,51 140	3,35 85	3,15 80	M 16 M 16	0,83 21	1,19 30,2	5 845 26	4 280 19	180 0,8	TUWK 1.1/2 LTHR
	1,50 49,213	0,63 16	1,38 35	2,03 51,6	4,61 117	4,01 102	1,97 50	5,86 149	3,54 90	3,37 85,5	M 20 M 20	0,98 25	1,28 32,6	6 654 29,6	5 220 23,2	220 0,98	TUWK 1.15/16 LTHR

SKF Food Line Y-bearing units composite housings are lubricated for life. SKF does not recommend relubricating. If required units with relubrication fittings are available upon order. Please contact SKF for further details regarding delivery time and appropriate designations.

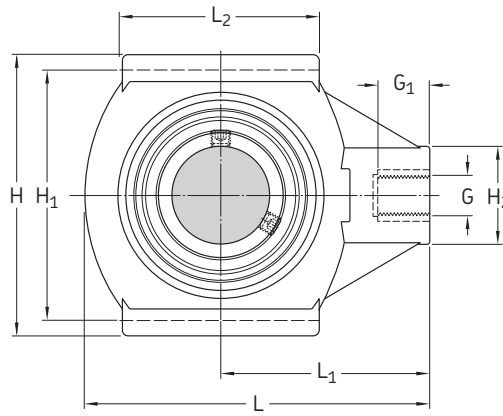
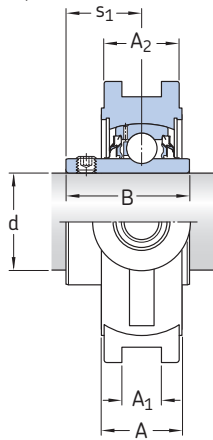


Designations Bearing unit	Separate components		Limiting speed with shaft tolerance	Mass Bearing unit	Appropriate cover	
	Housing	Bearing			Designation	Dimension
			h6			A <sub>5</sub>
			r/min	lb/kg	–	in./mm
TUWK 3/4 LTHR	TUWK 504 L	YAR 204-012-2RFGR/HV	5 000	0,77 0,35	ECL 204	0.81 20,5
TUWK 1. LTHR	TUWK 505 L	YAR 205-100-2RFGR/HV	4 300	0,86 0,39	ECL 205	0.87 22
TUWK 1.3/16 LTHR	TUWK 506 L	YAR 206-103-2RFGR/HV	3 800	1,34 0,61	ECL 206	1.04 26,5
TUWK 1.1/4 ALTHR	TUWK 506 L	YAR 206-104-2RFGR/HV	3 800	1,34 0,61	ECL 206	1.04 26,5
TUWK 1.1/4 LTHR	TUWK 507 L	YAR 207-104-2RFGR/HV	3 200	1,85 0,84	ECL 207	1.10 28
TUWK 1.3/8 LTHR	TUWK 507 L	YAR 207-106-2RFGR/HV	3 200	1,62 0,74	ECL 207	1.10 28
TUWK 1.7/16 LTHR	TUWK 507 L	YAR 207-107-2RFGR/HV	3 200	1,68 0,76	ECL 207	1.10 28
TUWK 1.1/2 LTHR	TUWK 508 L	YAR 208-108-2RFGR/HV	2 800	1,96 0,89	ECL 208	1.32 33,5
TUWK 1.15/16 LTHR	TUWK 510 L	YAR 210-115-2RFGR/HV	2 200	2,71 1,23	ECL 210	1.69 43

Composite SKF Food Line Y-units take up zinc coated bearings, inch shafts

d 3/4 – 1 15/16 in.

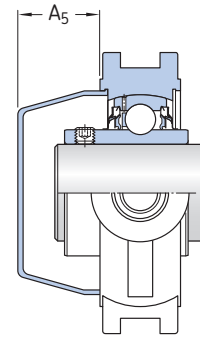
19,05 – 49,213 mm



Dimensions

d	Dimensions													Basic load ratings		Fatigue load limit P <sub>u</sub>	Designation Bearing unit
	A	A <sub>1</sub>	A <sub>2</sub>	B	H	H <sub>1</sub>	H <sub>2</sub>	L	L <sub>1</sub>	L <sub>2</sub>	G	G <sub>1</sub>	s <sub>1</sub>	dynamic	static		
in./mm														lb/kN	lb/kN	–	
3/4 19,05	1.08 27,5	0.47 12	0.96 24,5	1.22 31	3.50 89	2.99 76	1.42 36	3.90 99	2.52 64	1.81 46	M 16 M 16	0.83 21	0.72 18,3	2 860 12,7	1 470 6,55	60 0,28	TUWK 3/4 LTA
15/16 23,81	1.08 27,5	0.47 12	0.96 24,5	1.34 34,1	3.50 89	2.99 76	1.42 36	3.90 99	2.52 64	1.81 46	M 16 M 16	0.83 21	0.78 19,8	3 150 14	1 760 7,8	80 0,335	TUWK 15/16 LTA
1 25,4	1.08 27,5	0.47 12	0.96 24,5	1.34 34,1	3.50 89	2.99 76	1.42 36	3.90 99	2.52 64	1.81 46	M 16 M 16	0.83 21	0.78 19,8	3 150 14	1 760 7,8	80 0,335	TUWK 1. LTA
1 3/16 30,163	1.34 34	0.47 12	1.18 30	1.50 38,1	4.04 102,5	3.50 89	1.57 40	4.92 125	2.99 76	2.50 63,5	M 16 M 16	0.83 21	0.87 22,2	4 390 19,5	2 520 11,2	110 0,475	TUWK 1.3/16 LTA
1 1/4 31,75	1.34 34	0.47 12	1.18 30	1.50 38,1	4.04 102,5	3.50 89	1.57 40	4.92 125	2.99 76	2.50 63,5	M 16 M 16	0.83 21	0.87 22,2	4 390 19,5	2 520 11,2	110 0,475	TUWK 1.1/4 ALTA
	1.34 34	0.47 12	1.18 30	1.69 42,9	4.04 102,5	3.50 89	1.57 40	4.92 125	2.99 76	2.50 63,5	M 16 M 16	0.83 21	1.00 25,4	5 740 25,5	3 440 15,3	150 0,655	TUWK 1.1/4 LTA
1 3/8 34,925	1.34 34	0.47 12	1.18 30	1.69 42,9	4.04 102,5	3.50 89	1.57 40	4.92 125	2.99 76	2.50 63,5	M 16 M 16	0.83 21	1.00 25,4	5 740 25,5	3 440 15,3	150 0,655	TUWK 1.3/8 LTA
1 7/16 36,513	1.34 34	0.47 12	1.18 30	1.69 42,9	4.04 102,5	3.50 89	1.57 40	4.92 125	2.99 76	2.50 63,5	M 16 M 16	0.83 21	1.00 25,4	5 740 25,5	3 440 15,3	150 0,655	TUWK 1.7/16 LTA
1 1/2 38,1	1.34 34	0.63 16	1.26 32	1.94 49,2	4.49 114	4.01 102	1.57 40	5.51 140	3.35 85	3.15 80	M 16 M 16	0.83 21	1.19 30,2	5 845 26	4 280 19	180 0,8	TUWK 1.1/2 LTA
1 15/16 49,213	1.50 38	0.63 16	1.38 35	2.03 51,6	4.61 117	4.01 102	1.97 50	5.86 149	3.54 90	3.37 85,5	M 20 M 20	0.98 25	1.28 32,6	7 900 35,1	5 220 23,2	220 0,98	TUWK 1.15/16 LTA

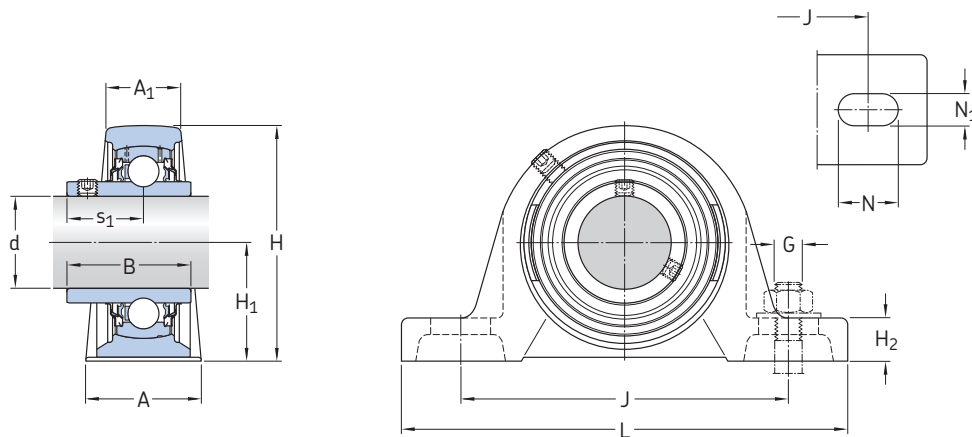
SKF Food Line Y-bearing units composite housings are lubricated for life. SKF does not recommend relubricating. If required units with relubrication fittings are available upon order. Please contact SKF for further details regarding delivery time and appropriate designations.



Designations Bearing unit	Separate components		Limiting speed with shaft tolerance	Mass Bearing unit	Appropriate cover	
	Housing	Bearing			Designation	Dimension End cover closed A <sub>5</sub>
			h6			
			r/min	lb/kg	-	in./mm
TUWK 3/4 LTA	TUWK 504 L	YAR 204-012-2RF/VE495	5 000	0.77 0,35	ECL 204	0.81 20,5
TUWK 15/16 LTA	TUWK 505 L	YAR 205-015-2RF/VE495	4 300	0.9 0,41	ECL 205	0.87 22
TUWK 1. LTA	TUWK 505 L	YAR 205-100-2RF/VE495	4 300	0.86 0,39	ECL 205	0.87 22
TUWK 1.3/16 LTA	TUWK 506 L	YAR 206-103-2RF/VE495	3 800	1.34 0,61	ECL 206	1.04 26,5
TUWK 1.1/4 ALTA	TUWK 506 L	YAR 206-104-2RF/VE495	3 800	1.34 0,61	ECL 206	1.04 26,5
TUWK 1.1/4 LTA	TUWK 507 L	YAR 207-104-2RF/VE495	3 200	1.85 0,84	ECL 207	1.10 28
TUWK 1.3/8 LTA	TUWK 507 L	YAR 207-106-2RF/VE495	3 200	1.62 0,74	ECL 207	1.10 28
TUWK 1.7/16 LTA	TUWK 507 L	YAR 207-107-2RF/VE495	3 200	1.68 0,76	ECL 207	1.10 28
TUWK 1.1/2 LTA	TUWK 508 L	YAR 208-108-2RF/VE495	2 800	1.96 0,89	ECL 208	1.32 33,5
TUWK 1.15/16 LTA	TUWK 510 L	YAR 210-115-2RF/VE495	2 200	2.71 1,23	ECL 210	1.69 43

Zinc coated SKF Food Line Y-units plummer block zinc coated bearings, metric shafts

d 20 – 50 mm



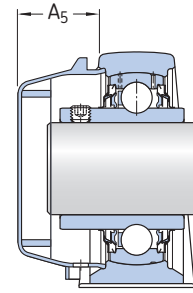
Dimensions

d	A	A <sub>1</sub>	B	H	H <sub>1</sub>	H <sub>2</sub>	J	L	N	N <sub>1</sub>	G	s <sub>1</sub>	Basic load ratings		Fatigue load limit P <sub>u</sub>	Designation Bearing unit
													dynamic C	static C <sub>0</sub>		

mm

20	32	21	31	65	33,3	14	97	127	20,5	11,5	10	18,3	12,7	6,55	0,28	SYWZ 20 YTA
25	36	22	34,1	70,5	36,5	16	102	130	19,5	11,5	10	19,8	14	7,8	0,335	SYWZ 25 YTA
30	40	25	38,1	82,5	42,9	17	117,5	152	23,5	14	12	22,2	19,5	11,2	0,475	SYWZ 30 YTA
35	45	27	42,9	93	47,6	19	126	160	21	14	12	25,4	25,5	15,3	0,655	SYWZ 35 YTA
40	48	30	49,2	99	49,2	19	135,5	175	24,5	14	12	30,2	30,7	19	0,8	SYWZ 40 YTA
50	54	34	51,6	114,5	57,2	22	157	203	26	18	16	32,6	35,1	23,2	0,98	SYWZ 50 YTA

SKF Food Line Y-bearing units grey cast iron zinc coated lubricated are greased for life. SKF does not recommend relubricating. However, if required the regreasing can be done by removing the stainless steel set screw tightened into the housing body having a thread 1/4-28 UNF.

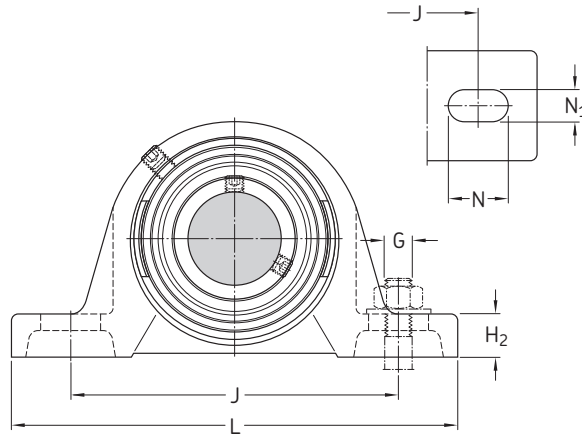
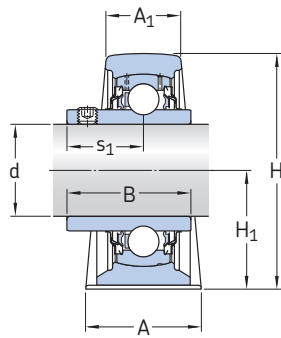


Designations Bearing unit	Separate components		Limiting speed with shaft tolerance	Mass Bearing unit	Appropriate cover	
	Housing	Bearing			Designation	Dimension A <sub>5</sub>
			h6			
			r/min	kg	–	mm
SYWZ 20 YTA	SYWZ 504 Y	YAR 204-2RF/VE495	5 000	0,57	ECW 204	26,5
SYWZ 25 YTA	SYWZ 505 Y	YAR 205-2RF/VE495	4 300	0,72	ECW 205	26,5
SYWZ 30 YTA	SYWZ 506 Y	YAR 206-2RF/VE495	3 800	1,1	ECW 206	31
SYWZ 35 YTA	SYWZ 507 Y	YAR 207-2RF/VE495	3 200	1,45	ECW 207	32,5
SYWZ 40 YTA	SYWZ 508 Y	YAR 208-2RF/VE495	2 800	1,80	ECW 208	33,5
SYWZ 50 YTA	SYWZ 510 Y	YAR 210-2RF/VE495	2 200	2,7		

Zinc coated SKF Food Line Y-units plummer block zinc coated bearings, inch shafts

d  $\frac{3}{4} - 1 \frac{15}{16}$  in.

19,05 – 49,213 mm



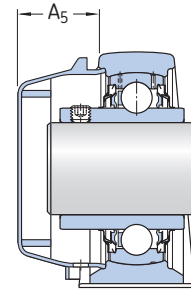
Dimensions

d	A	A <sub>1</sub>	A <sub>2</sub>	B	H	H <sub>1</sub>	H <sub>2</sub>	L	N	N <sub>1</sub>	G	s <sub>1</sub>	Basic load ratings		Fatigue load limit P <sub>u</sub>	Designation Bearing unit
													dynamic C	static C <sub>0</sub>		

in./mm

													lbF/kN	lbF/kN	–	
$\frac{3}{4}$ 19,05	1.26 32	0.83 21	1.22 31	2.56 65	1.31 33,3	0.55 14	3.82 97	5.00 127	0.81 20,5	0.45 11,5	$\frac{3}{8}$ 10	0.72 18,3	2 860 12,7	1 470 6,55	60 0,28	SYWZ 3/4 YTA
$\frac{15}{16}$ 23,813	1.42 36	0.87 22	1.34 34,1	2.78 70,5	1.44 36,5	0.63 16	4.02 102	5.12 130	0.77 19,5	0.45 11,5	$\frac{3}{8}$ 10	0.78 19,8	3 150 14	1 780 7,8	80 0,335	SYWZ 15/16 YTA
<b>1</b> 25,4	1.42 36	0.87 22	1.34 34,1	2.78 70,5	1.44 36,5	0.63 16	4.02 102	5.12 130	0.77 19,5	0.45 11,5	$\frac{3}{8}$ 10	0.78 19,8	3 150 14	1 780 7,8	80 0,335	SYWZ 1. YTA
$1 \frac{1}{16}$ 30,163	1.57 40	0.98 25	1.50 38,1	3.23 82,5	1.69 42,9	0.65 16,5	4.63 117,5	5.98 152	0.93 23,5	0.55 14	$\frac{1}{2}$ 12	0.87 22,2	4 390 19,5	2 520 11,2	110 0,475	SYWZ 1.3/16 YTA
$1 \frac{1}{4}$ 31,75	1.57 40	0.98 25	1.50 38,1	3.23 82,5	1.69 42,9	0.65 16,5	4.63 117,5	5.98 152	0.93 23,5	0.55 14	$\frac{1}{2}$ 12	0.87 22,2	4 390 19,5	2 520 11,2	110 0,475	SYWZ 1.1/4 AYTA
	1.77 45	1.06 27	1.69 42,9	3.66 93	1.87 47,6	0.75 19	4.96 126	6.30 160	0.83 21	0.55 14	$\frac{1}{2}$ 12	1.00 25,4	5 740 25,5	3 440 15,3	150 0,655	SYWZ 1.1/4 YTA
$1 \frac{3}{8}$ 34,925	1.77 45	1.06 27	1.69 42,9	3.66 93	1.87 47,6	0.75 19	4.96 126	6.30 160	0.83 21	0.55 14	$\frac{1}{2}$ 12	1.00 25,4	5 740 25,5	3 440 15,3	150 0,655	SYWZ 1.3/8 YTA
$1 \frac{7}{16}$ 36,513	1.77 45	1.06 27	1.69 42,9	3.66 93	1.87 47,6	0.75 19	4.96 126	6.30 160	0.83 21	0.55 14	$\frac{1}{2}$ 12	1.00 25,4	5 740 25,5	3 440 15,3	150 0,655	SYWZ 1.7/16 YTA
$1 \frac{1}{2}$ 38,1	1.89 48	1.18 30	1.94 49,2	3.90 99	1.94 49,2	0.75 19	5.33 135,5	6.89 175	0.96 24,5	0.55 14	$\frac{1}{2}$ 12	1.19 30,2	6 910 30,7	4 280 19	180 0,8	SYWZ 1.1/2 YTA
$1 \frac{15}{16}$ 49,213	2.13 54	1.34 34	2.03 51,6	4.51 114,5	2.25 57,2	0.87 22	6.18 157	7.99 203	1.02 26	0.71 18	$\frac{5}{8}$ 16	1.28 32,6	7 900 35,1	5 220 23,2	220 0,98	SYWZ 1.15/16 YTA

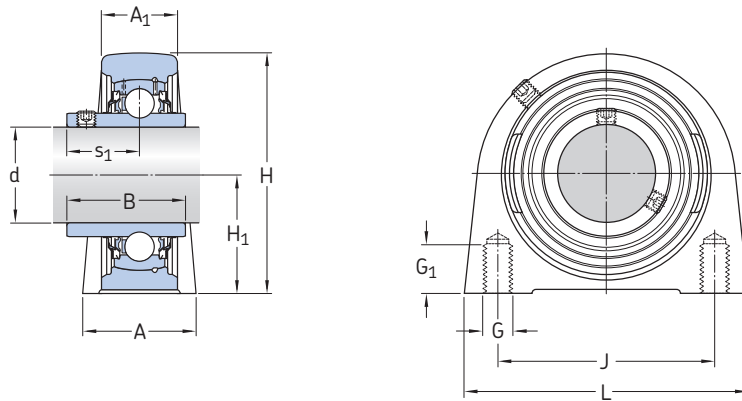
SKF Food Line Y-bearing units grey cast iron zinc coated housings are lubricated for life. SKF does not recommend relubricating. However, if required the regreasing can be done by removing the stainless steel set screw tightened into the housing body having a thread 1/4-28 UNF.



Designations Bearing unit	Separate components		Limiting speed with shaft tolerance	Mass Bearing unit	Appropriate cover	
	Housing	Bearing			Designation	Dimension
			h6			A <sub>5</sub>
			r/min	lb/kg	-	mm
<b>SYWZ 3/4 YTA</b>	SYWZ 504 Y	YAR 204-012-2RF/VE495	5 000	1.23 0,56	ECW 204	1.04 26,5
<b>SYWZ 15/16 YTA</b>	SYWZ 505 Y	YAR 205-015-2RF/VE495	4 300	1.65 0,75	ECW 205	1.04 26,5
<b>SYWZ 1. YTA</b>	SYWZ 505 Y	YAR 205-100-2RF/VE495	4 300	1.57 0,71	ECW 205	1.04 26,5
<b>SYWZ 1.3/16 YTA</b>	SYWZ 506 Y	YAR 206-103-2RF/VE495	3 800	2.60 1,20	ECW 206	1.22 31
<b>SYWZ 1.1/4 AYTA</b>	SYWZ 506 Y	YAR 206-104-2RF/VE495	3 800	2.42 1,1	ECW 206	1.22 31
<b>SYWZ 1.1/4 YTA</b>	SYWZ 507 Y	YAR 207-104-2RF/VE495	3 200	3.35 1,50	ECW 207	1.28 32,5
<b>SYWZ 1.3/8 YTA</b>	SYWZ 507 Y	YAR 207-106-2RF/VE495	3 200	3.35 1,50	ECW 207	1.28 32,5
<b>SYWZ 1.7/16 YTA</b>	SYWZ 507 Y	YAR 207-107-2RF/VE495	3 200	3.50 1,60	ECW 207	1.28 32,5
<b>SYWZ 1.1/2 YTA</b>	SYWZ 508 Y	YAR 208-108-2RF/VE495	2 800	4.10 1,85	ECW 208	1.32 33,5
<b>SYWZ 1.15/16 YTA</b>	SYWZ 510 Y	YAR 210-115-2RF/VE495	2 200	6.30 2,85		

Zinc coated SKF Food Line Y-units short base plummer block zinc coated bearings, metric shafts

d 20 – 50 mm



Dimensions

d	A	A <sub>1</sub>	B	H	H <sub>1</sub>	J	L	G	G <sub>1</sub>	s <sub>1</sub>	Basic load ratings		Fatigue	Designation
											dynamic	static	load limit	Bearing unit
mm											C	C <sub>0</sub>	P <sub>u</sub>	–
20	32	21	31	65	33.3	50.8	65	M8	14	18,3	12,7	6,55	0,28	SYFWZ 20 TA
25	36	22	34,1	70.5	36.5	50.8	70	M10	15	19,8	14	7,8	0,335	SYFWZ 25 TA
30	40	25	38,1	83	42.9	76.2	98	M10	15	22,2	19,5	11,2	0,475	SYFWZ 30 TA
35	45	27	42,9	93	47.6	82.6	103	M10	15	25,4	25,5	15,3	0,655	SYFWZ 35 TA
40	48	30	49,2	99	49.2	88.9	116	M12	20	30,2	30,7	19	0,8	SYFWZ 40 TA
50	54	34	51,6	114.5	57.2	101.6	135	M16	25.5	32,6	35,1	23,2	0,98	SYFWZ 50 TA

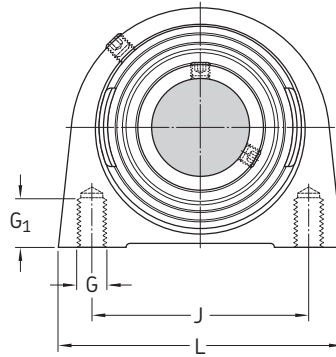
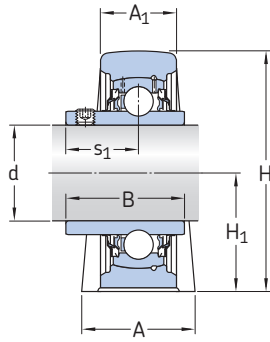
SKF Food Line Y-bearing units grey cast iron zinc coated housings are lubricated for life. SKF does not recommend relubricating. However, if required the regreasing can be done by removing the stainless steel set screw tightened into the housing body having a thread 1/4-28 UNF.

Designations Bearing unit	Separate components		Limiting speed with shaft tolerance	Mass Bearing unit
	Housing	Bearing		
			h6	
			r/min	kg
SYFWZ 20 TA	SYFWZ 504	YAR 204-2RF/VE495	5 000	0,43
SYFWZ 25 TA	SYFWZ 505	YAR 205-2RF/VE495	4 300	0,52
SYFWZ 30 TA	SYFWZ 506	YAR 206-2RF/VE495	3 800	0,90
SYFWZ 35 TA	SYFWZ 507	YAR 207-2RF/VE495	3 200	1,20
SYFWZ 40 TA	SYFWZ 508	YAR 208-2RF/VE495	2 800	1,50
SYFWZ 50 TA	SYFWZ 510	YAR 210-2RF/VE495	2 200	2,20

Zinc coated SKF Food Line Y-units short base plummer block zinc coated bearings, inch shafts

d  $\frac{3}{4} - 1 \frac{15}{16}$  in.

19,05 – 49,213 mm



Dimensions

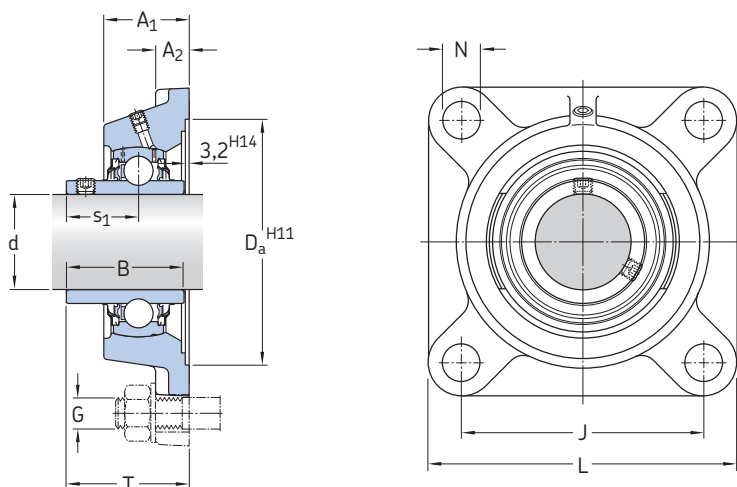
d	A	A <sub>1</sub>	B	H	H <sub>1</sub>	J	L	G	G <sub>1</sub>	s <sub>1</sub>	Basic load ratings		Fatigue	Designation
											dynamic	static	load limit	Bearing unit
											C	C <sub>0</sub>	P <sub>u</sub>	
in./mm											lbf/kN	lbf/kN	lbf/kN	–
$\frac{3}{4}$ 19,05	1,25 32	0,82 21	1,22 31	2,55 65	1,31 33,3	1,99 50,8	2,55 65	M 8 M 8	0,55 14	0,72 18,3	2 860 12,7	1 470 6,55	60 0,28	SYFWZ 3/4 TA
$\frac{15}{16}$ 23,813	1,41 36	0,866 22	1,34 34,1	2,77 70,5	1,43 36,5	1,99 50,8	2,75 70	M 10 M 10	0,59 15	0,77 19,8	3 150 14	1 760 7,8	80 0,335	SYFWZ 15/16 TA
<b>1</b> 25,4	1,41 36	0,866 22	1,34 34,1	2,77 70,5	1,43 36,5	1,99 50,8	2,75 70	M 10 M 10	0,59 15	0,77 19,8	3 150 14	1 760 7,8	80 0,335	SYFWZ 1. TA
$1 \frac{3}{16}$ 30,163	1,57 40	0,98 25	1,49 38,1	3,26 83	1,68 42,9	2,99 76,2	3,85 98	M 10 M 10	0,59 15	0,87 22,2	4 390 19,5	2 520 11,2	110 0,475	SYFWZ 1.3/16 TA
$1 \frac{1}{4}$ 31,75	1,57 40	0,98 25	1,49 38,1	3,26 83	1,68 42,9	2,99 76,2	3,85 98	M 10 M 10	0,59 15	0,87 22,2	4 390 19,5	2 520 11,2	110 0,475	SYFWZ 1.1/4 ATA
	1,77 45	1,06 27	1,68 42,9	3,66 93	1,87 47,6	3,25 82,6	4,05 103	M 10 M 10	0,59 15	0,99 25,4	5 740 25,5	3 440 15,3	150 0,655	SYFWZ 1.1/4 TA
$1 \frac{3}{8}$ 34,925	1,77 45	1,06 27	1,68 42,9	3,66 93	1,87 47,6	3,25 82,6	4,05 103	M 10 M 10	0,59 15	0,99 25,4	5 740 25,5	3 440 15,3	150 0,655	SYFWZ 1.3/8 TA
	1,77 45	1,06 27	1,68 42,9	3,66 93	1,87 47,6	3,25 82,6	4,05 103	M 10 M 10	0,59 15	0,99 25,4	5 740 25,5	3 440 15,3	150 0,655	SYFWZ 1. 7/16 TA
$1 \frac{1}{2}$ 38,1	1,88 48	1,18 30	1,68 49,2	3,89 99	1,93 49,2	3,49 88,9	4,56 116	M 12 M 12	0,78 20	1,18 30,2	6 910 30,7	4 280 19	180 0,8	SYFWZ 1.1/2 TA
	2,12 54	1,33 34	2,0 51,6	4,50 114,5	2,25 57,2	3,99 101,6	5,31 135	M 16 M 16	1,00 25,5	1,28 32,6	7 900 35,1	5 220 23,2	220 0,98	SYFWZ 1.15/16 TA

SKF Food Line Y-bearing units grey cast iron zinc coated housings are lubricated for life. SKF does not recommend relubricating. However, if required the regreasing can be done by removing the stainless steel set screw tightened into the housing body having a thread 1/4-28 UNF.

Designations Bearing unit	Separate components		Limiting speed with shaft tolerance	Mass Bearing unit
	Housing	Bearing		
			h6	
			r/min	lb/kg
SYFWZ 3/4 TA	SYFWZ 504	YAR 204-012-2RF/VE495	5 000	1.01 0,46
SYFWZ 15/16 TA	SYFWZ 505	YAR 205-015-2RF/VE495	4 300	1.21 0,55
SYFWZ 1. TA	SYFWZ 505	YAR 205-100-2RF/VE495	4 300	1.71 0,78
SYFWZ 1.3/16 TA	SYFWZ 506	YAR 206-103-2RF/VE495	3 800	2.05 0,93
SYFWZ 1.1/4 ATA	SYFWZ 506	YAR 206-104-2RF/VE495	3 800	1.98 0,9
SYFWZ 1.1/4 TA	SYFWZ 507	YAR 207-104-2RF/VE495	3 200	2.91 1,32
SYFWZ 1.3/8 TA	SYFWZ 507	YAR 207-106-2RF/VE495	3 200	2.68 1,22
SYFWZ 1. 7/16 TA	SYFWZ 507	YAR 207-107-2RF/VE495	3 200	2.71 1,23
SYFWZ 1.1/2 TA	SYFWZ 508	YAR 208-108-2RF/VE495	2 800	3.39 1,54
SYFWZ 1.15/16 TA	SYFWZ 510	YAR 210-115-2RF/VE495	2 200	5.09 2,31

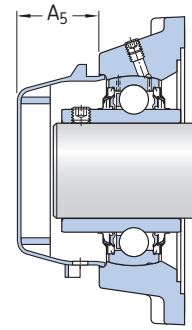
Zinc coated SKF Food Line Y-units square flanged zinc coated bearings, metric shafts

d 20 – 50 mm



Dimensions											Basic load ratings		Fatigue load limit	Designation
d	A <sub>1</sub>	A <sub>2</sub>	B	D <sub>a</sub>	J	L	N	G	s <sub>1</sub>	T	C	C <sub>0</sub>	P <sub>u</sub>	Bearing unit
mm											kN		kN	–
20	29.5	11	31	68.3	63.5	86	11.5	10	18.3	37.3	12.7	6.55	0.28	FYWZ 20 YTA
25	30	12	34.1	74.6	70	95	11.5	10	19.8	38.8	14	7.8	0.335	FYWZ 25 YTA
30	32.5	13	38.1	93.7	82.5	108	11.5	10	22.2	42.2	19.5	11.2	0.475	FYWZ 30 YTA
35	34.5	13	42.9	106.4	92	118	14	12	25.4	46.4	25.5	15.3	0.655	FYWZ 35 YTA
40	38.5	14	49.2	115.9	101.5	130	14	12	30.2	54.2	30.7	19	0.8	FYWZ 40 YTA
50	43	15	51.6	125.4	111	143	18	16	32.6	60.6	35.1	23.2	0.98	FYWZ 50 YTA

SKF Food Line Y-bearing units grey cast iron zinc coated housings are lubricated for life. SKF does not recommend relubricating. However, if required the regreasing can be done by removing the stainless steel set screw tightened into the housing body having a thread 1/4-28 UNF.

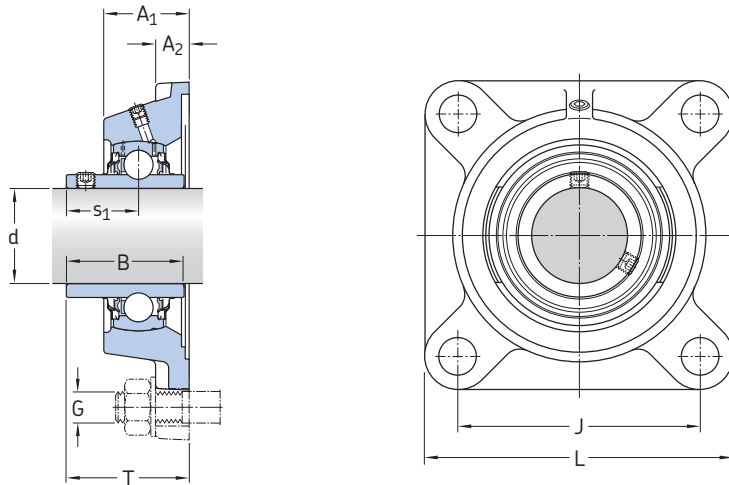


Designations Bearing unit	Separate components		Limiting speed with shaft tolerance	Mass Bearing unit	Appropriate cover	
	Housing	Bearing			Designation	Dimension A <sub>5</sub>
-			r/min	kg	-	mm
FYWZ 20 YTA	FYWZ 504 Y	YAR 204-2RF/VE495	5 000	0,60	ECW 204	26,5
FYWZ 25 YTA	FYWZ 505 Y	YAR 205-2RF/VE495	4 300	0,77	ECW 205	26,5
FYWZ 30 YTA	FYWZ 506 Y	YAR 206-2RF/VE495	3 800	1,10	ECW 206	31
FYWZ 35 YTA	FYWZ 507 Y	YAR 207-2RF/VE495	3 200	1,40	ECW 207	32,5
FYWZ 40 YTA	FYWZ 508 Y	YAR 208-2RF/VE495	2 800	1,90	ECW 208	33,5
FYWZ 50 YTA	FYWZ 510 Y	YAR 210-2RF/VE495	2 200	2,50		

Zinc coated SKF Food Line Y-units square flanged zinc coated bearings, inch shafts

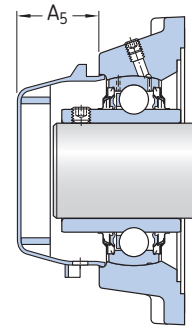
d 3/4 – 1 15/16 in.

19,05 – 49,213 mm



Dimensions									Basic load ratings		Fatigue load limit static P <sub>u</sub>	Designation Bearing unit
d	A <sub>1</sub>	A <sub>2</sub>	B	J	L	G	s <sub>1</sub>	T	C	C <sub>0</sub>		
in./mm									lbf/kN		lbf/kN	–
3/4 19,05	1.16 29,5	0.43 11	1.22 31	2.5 63,5	3.39 86	3/8 10	0.72 18,3	1.47 37,3	2 860 12,7	1 470 6,55	60 0,28	FYWZ 3/4 YTA
15/16 23,813	1.18 30	0.47 12	1.34 34,1	2.76 70	3.74 95	7/16 10	0.78 19,8	1.53 38,8	3 150 14	1 760 7,8	80 0,335	FYWZ 15/16 YTA
1 25,4	1.18 30	0.47 12	1.34 34,1	2.76 70	3.74 95	3/8 10	0.78 19,8	1.53 38,8	3 150 14	1 760 7,8	80 0,335	FYWZ 1. YTA
1 3/16 30,163	1.28 32,5	0.51 13	1.50 38,1	3.25 82,5	4.25 108	7/16 10	0.87 22,2	1.66 42,2	4 390 19,5	2 520 11,2	110 0,475	FYWZ 1.3/16 YTA
1 1/4 31,75	1.28 32,5	0.51 13	1.50 38,1	3.25 82,5	4.25 108	7/16 10	0.87 22,2	1.66 42,2	4 390 19,5	2 520 11,2	110 0,475	FYWZ 1.1/4 AYTA
	1.36 34,5	0.51 13	1.69 42,9	3.62 92	4.65 118	1/2 12	1 25,4	1.83 46,4	5 740 25,5	3 440 15,3	150 0,655	FYWZ 1.1/4 YTA
	1.36 34,5	0.51 13	1.69 42,9	3.62 92	4.65 118	1/2 12	1 25,4	1.83 46,4	5 740 25,5	3 440 15,3	150 0,655	FYWZ 1.3/8 YTA
1 7/16 36,513	1.36 34,5	0.51 13	1.69 42,9	3.62 92	4.65 118	1/2 12	1 25,4	1.83 46,4	5 740 25,5	3 440 15,3	150 0,655	FYWZ 1.7/16 YTA
1 1/2 38,1	1.52 38,5	0.55 14	1.94 49,2	4 101,5	5.12 130	1/2 12	1.19 30,2	2.13 54,2	6 910 30,7	4 280 19	180 0,8	FYWZ 1.1/2 YTA
1 15/16 49,213	1.69 43	0.59 15	2.03 51,6	4.37 111	5.63 143	5/8 16	1.28 32,6	2.39 60,6	7 900 35,1	5 220 23,2	220 0,98	FYWZ 1.15/16 YTA

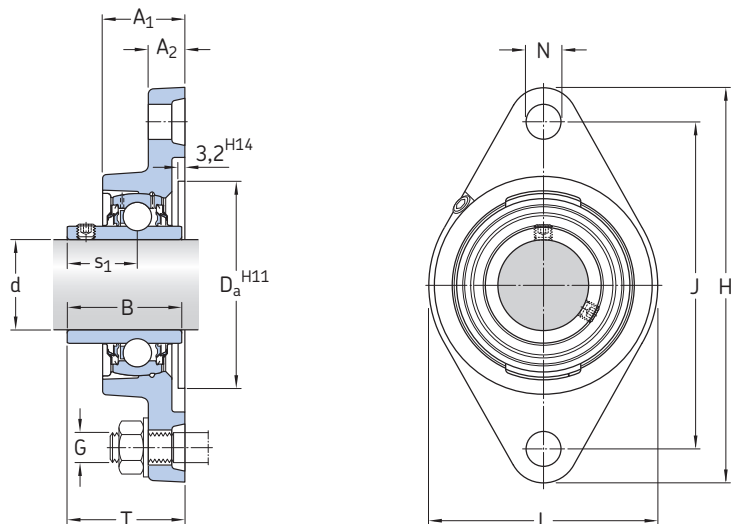
SKF Food Line Y-bearing units grey cast iron zinc coated housings are lubricated for life. SKF does not recommend relubricating. However, if required the regreasing can be done by removing the stainless steel set screw tightened into the housing body having a thread 1/4-28 UNF.



Designations Bearing unit	Separate components		Limiting speed with shaft tolerance  h6	Mass Bearing unit  lb/kg	Appropriate cover	
	Housing	Bearing			Designation	Dimension A <sub>5</sub>
-			r/min		-	in./mm
FYWZ 3/4 YTA	FYWZ 504 Y	YAR 204-012-2RF/VE495	5 000	1.35 0,61	ECW 204	1.04 26,5
FYWZ 15/16 YTA	FYWZ 505 Y	YAR 205-015-2RF/VE495	4 300	1.76 0,8	ECW 205	1.04 26,5
FYWZ 1. YTA	FYWZ 505 Y	YAR 205-100-2RF/VE495	4 300	1.70 0,77	ECW 205	1.04 26,5
FYWZ 1.3/16 YTA	FYWZ 506 Y	YAR 206-103-2RF/VE495	3 800	2.40 1,10	ECW 206	1.22 31
FYWZ 1.1/4 AYTA	FYWZ 506 Y	YAR 206-104-2RF/VE495	3 800	2.40 1,1	ECW 206	1.22 31
FYWZ 1.1/4 YTA	FYWZ 507 Y	YAR 207-104-2RF/VE495	3 200	3.35 1,52	ECW 207	1.28 32,5
FYWZ 1.3/8 YTA	FYWZ 507 Y	YAR 207-106-2RF/VE495	3 200	3.21 1,46	ECW 207	1.28 32,5
FYWZ 1.7/16 YTA	FYWZ 507 Y	YAR 207-107-2RF/VE495	3 200	3.13 1,42	ECW 207	1.28 32,5
FYWZ 1.1/2 YTA	FYWZ 508 Y	YAR 208-108-2RF/VE495	2 800	4.2 1,90	ECW 208	1.32 33,5
FYWZ 1.15/16 YTA	FYWZ 510 Y	YAR 210-115-2RF/VE495	2 200	5.68 2,58		

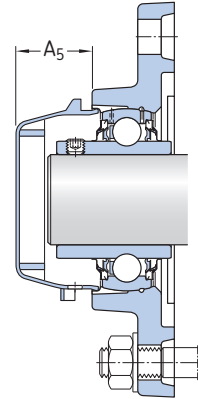
Zinc coated SKF Food Line Y-units oval flanged zinc coated bearings, metric shafts

d 20 – 50 mm



Dimensions												Basic load ratings		Fatigue load limit	Designation
d	A <sub>1</sub>	A <sub>2</sub>	B	D <sub>a</sub>	H	J	L	N	G	s <sub>1</sub>	T	C	C <sub>0</sub>	P <sub>u</sub>	Bearing unit
mm												kN		kN	–
20	29.5	10,5	31	50.8	112	90	60.5	11.5	10	18,3	37,3	12,7	6,55	0,28	FYTWZ 20 YTA
25	30	11,5	34,1	63.5	124	99	70	11.5	10	19,8	38,8	14	7,8	0,335	FYTWZ 25 YTA
30	32.5	12,5	38,1	76.2	141.5	116.5	83	11.5	10	22,2	42,2	19,5	11,2	0,475	FYTWZ 30 YTA
35	34.5	12,5	42,9	88.9	156	130	96	14	12	25,4	46,4	25,5	15,3	0,655	FYTWZ 35 YTA
40	38.5	13,5	49,2	88.9	171.5	143.5	102	14	12	30,2	54,2	30,7	19	0,8	FYTWZ 40 YTA
50	43	14,5	51,6	101.6	189	157	116	18	16	32,6	60,6	35,1	23,2	0,98	FYTWZ 50 YTA

SKF Food Line Y-bearing units grey cast iron zinc coated housings are lubricated for life. SKF does not recommend relubricating. However, if required the regreasing can be done by removing the stainless steel set screw tightened into the housing body having a thread 1/4-28 UNF.

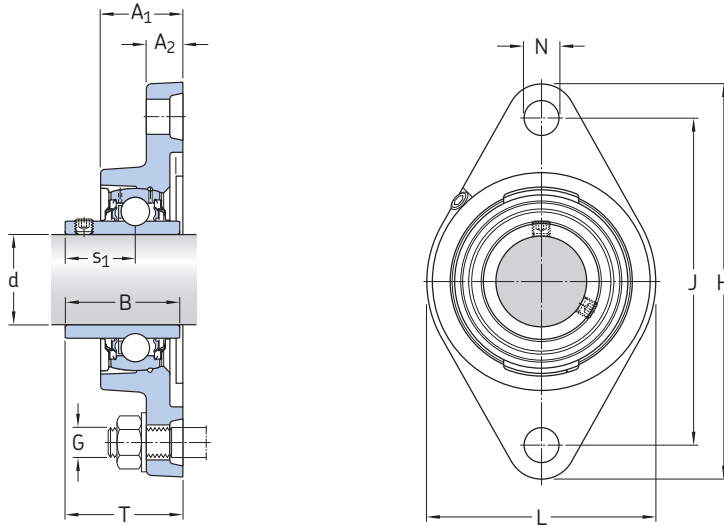


Designations Bearing unit	Separate components		Limiting speed with shaft tolerance	Mass Bearing unit	Appropriate cover	
	Housing	Bearing			Designation	Dimension A <sub>5</sub>
			h6			A <sub>5</sub>
			r/min	kg	–	mm
FYTWZ 20 YTA	FYTWZ 504 Y	YAR 204-2RF/VE495	5 000	0,50	ECW 204	26,5
FYTWZ 25 YTA	FYTWZ 505 Y	YAR 205-2RF/VE495	4 300	0,63	ECW 205	26,5
FYTWZ 30 YTA	FYTWZ 506 Y	YAR 206-2RF/VE495	3 800	0,93	ECW 206	31
FYTWZ 35 YTA	FYTWZ 507 Y	YAR 207-2RF/VE495	3 200	1,25	ECW 207	32,5
FYTWZ 40 YTA	FYTWZ 508 Y	YAR 208-2RF/VE495	2 800	1,65	ECW 208	33,5
FYTWZ 50 YTA	FYTWZ 510 Y	YAR 210-2RF/VE495	2 200	2,15		

Zinc coated SKF Food Line Y-units oval flanged zinc coated bearings, inch shafts

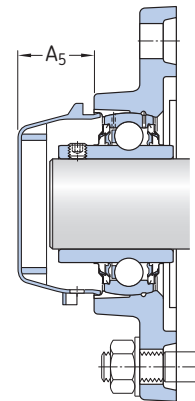
d  $\frac{3}{4} - 1 \frac{15}{16}$  in.

19,05 – 49,213 mm



Dimensions											Basic load ratings		Fatigue load limit	Designation
d	A <sub>1</sub>	A <sub>2</sub>	B	H	J	L	N	G	s <sub>1</sub>	T	C	C <sub>0</sub>	P <sub>u</sub>	Bearing unit
in./mm											lbf/kN		lbf/kN	–
$\frac{3}{4}$ 19,05	0,97 29,5	0,41 10,5	1 31	4,41 112	3,53 90	2,38 60,5	0,44 11,5	$\frac{3}{8}$ 10	0,72 18,3	1,28 37,3	2 860 12,7	1 470 6,55	60 0,28	FYTZW 3/4 YTA
$\frac{15}{16}$ 23,813	1,18 30	0,45 11,5	1,07 34,1	4,88 124	3,89 99	2,76 70	0,50 11,5	$\frac{7}{16}$ 10	0,77 19,8	1,53 38,8	3 150 14	1 760 7,8	80 0,335	FYTZW 15/16 YTA
<b>1</b> 25,4	1,18 30	0,45 11,5	1,07 34,1	4,88 124	3,89 99	2,76 70	0,50 11,5	$\frac{7}{16}$ 10	0,77 19,8	1,53 38,8	3 150 14	1 760 7,8	80 0,335	FYTZW 1. YTA
$1 \frac{1}{16}$ 30,163	1,28 32,5	0,49 12,5	1,5 38,1	5,57 141,5	4,6 116,5	3,27 83	0,50 11,5	$\frac{7}{16}$ 10	0,77 19,8	1,76 42,2	4 390 19,5	2 520 11,2	110 0,475	FYTZW 1.3/16 YTA
$1 \frac{1}{4}$ 31,75	1,28 32,5	0,49 12,5	1,5 38,1	5,57 141,5	4,6 116,5	3,27 83	0,50 11,5	$\frac{7}{16}$ 10	0,77 19,8	1,76 42,2	4 390 19,5	2 520 11,2	110 0,475	FYTZW 1.1/4 AYTA
	1,36 34,5	0,49 12,5	1,69 42,9	6,14 156	5,12 130	3,78 96	0,55 14	$\frac{1}{2}$ 12	1 25,4	1,83 46,4	5 740 25,5	3 440 15,3	150 0,655	FYTZW 1.1/4 YTA
$1 \frac{3}{8}$ 34,925	1,36 34,5	0,49 12,5	1,69 42,9	6,14 156	5,12 130	3,78 96	0,55 14	$\frac{1}{2}$ 12	1 25,4	1,83 46,4	5 740 25,5	3 440 15,3	150 0,655	FYTZW 1.3/8 YTA
$1 \frac{7}{16}$ 36,513	1,36 34,5	0,49 12,5	1,69 42,9	6,14 156	5,12 130	3,78 96	0,55 14	$\frac{1}{2}$ 12	1 25,4	1,83 46,4	5 740 25,5	3 440 15,3	150 0,655	FYTZW 1.7/16 YTA
$1 \frac{1}{2}$ 38,1	1,52 38,5	0,53 13,5	1,57 49,2	6,75 171,5	5,66 143,5	4,02 102	0,56 14	$\frac{1}{2}$ 12	1,12 30,2	2,07 54,2	6 910 30,7	4 280 19	180 0,8	FYTZW 1.1/2 YTA
$1 \frac{15}{16}$ 49,213	1,69 43	0,57 14,5	1,69 51,6	7,44 189	6,19 157	4,57 116	0,63 18	$\frac{5}{8}$ 16	1,26 32,6	2,37 60,6	7 900 35,1	5 220 23,2	220 0,98	FYTZW 1.15/16 YTA

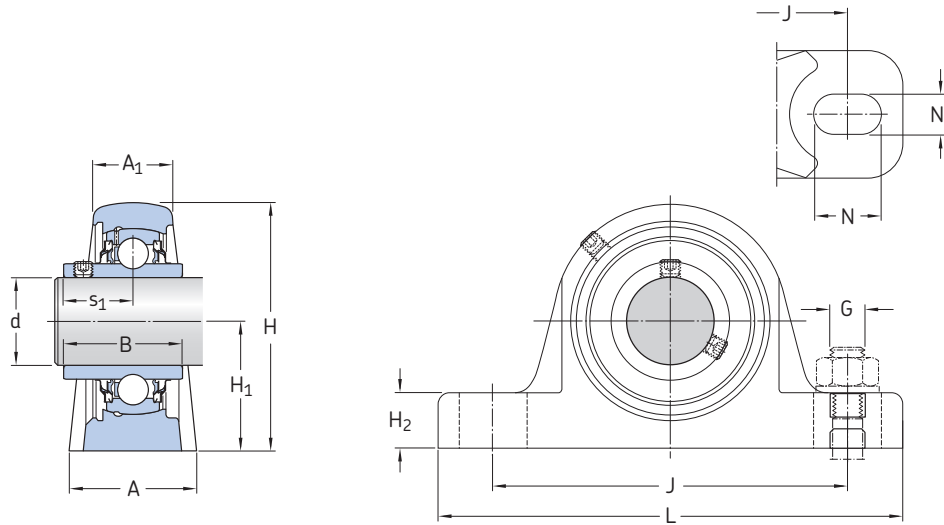
SKF Food Line Y-bearing units grey cast iron zinc coated housings are lubricated for life. SKF does not recommend relubricating. However, if required the regreasing can be done by removing the stainless steel set screw tightened into the housing body having a thread 1/4-28 UNF.



Designations Bearing unit	Separate components		Limiting speed with shaft tolerance  h6	Mass Bearing unit	Appropriate cover	
	Housing	Bearing			Designation	Dimension  A <sub>5</sub>
-			r/min	lb/kg	-	in/mm
FYTWZ 3/4 YTA	FYTWZ 504 Y	YAR 204-012-2RF/VE495	5 000	1.10 0,50	ECW 204	1.04 26,5
FYTWZ 15/16 YTA	FYTWZ 505 Y	YAR 205-015-2RF/VE495	4 300	1.45 0,66	ECW 205	1.04 26,5
FYTWZ 1. YTA	FYTWZ 505 Y	YAR 205-100-2RF/VE495	4 300	1.40 0,63	ECW 205	1.04 26,5
FYTWZ 1.3/16 YTA	FYTWZ 506 Y	YAR 206-103-2RF/VE495	3 800	2.11 0,96	ECW 206	1.22 31
FYTWZ 1.1/4 AYTA	FYTWZ 506 Y	YAR 206-104-2RF/VE495	3 800	2.05 0,93	ECW 206	1.22 31
FYTWZ 1.1/4 YTA	FYTWZ 507 Y	YAR 207-104-2RF/VE495	3 200	2.05 0,93	ECW 207	1.28 32,5
FYTWZ 1.3/8 YTA	FYTWZ 507 Y	YAR 207-106-2RF/VE495	3 200	2.84 1,29	ECW 207	1.28 32,5
FYTWZ 1.7/16 YTA	FYTWZ 507 Y	YAR 207-107-2RF/VE495	3 200	2.75 1,25	ECW 207	1.28 32,5
FYTWZ 1.1/2 YTA	FYTWZ 508 Y	YAR 208-108-2RF/VE495	2 800	3.75 1,70	ECW 208	1.32 33,5
FYTWZ 1.15/16 YTA	FYTWZ 510 Y	YAR 210-115-2RF/VE495	2 200	4.96 2,25		

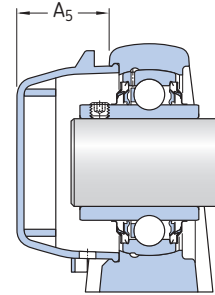
**Stainless steel SKF Food Line Y-units plummer block stainless steel bearings, metric shafts**

d 20 – 40 mm



Dimensions													Basic load ratings		Fatigue load limit	Designation
d	A	A <sub>1</sub>	B	H	H <sub>1</sub>	H <sub>2</sub>	J	L	N	N <sub>1</sub>	G	s <sub>1</sub>	C	C <sub>0</sub>	P <sub>u</sub>	Bearing unit
mm													kN	kN	–	
20	31,7	23	31	63,5	33,3	13,9	96,8	127	21	11,5	10	18,3	10,8	6,55	0,28	SYWR 20 YTHR
25	36,5	24,5	34,1	69,9	36,5	15,9	101,7	133,3	19,5	11,5	10	19,8	11,9	7,8	0,335	SYWR 25 YTHR
30	39,7	28	38,1	82,1	42,9	16,7	117,5	152,4	23,8	14,3	12	22,2	16,3	11,2	0,475	SYWR 30 YTHR
35	44,4	29	42,9	92,9	47,6	19	126,2	160,4	21,5	14,3	12	25,4	21,6	15,3	0,655	SYWR 35 YTHR
40	47,6	33	49,2	99,2	49,2	19	135,7	174,6	24,6	14,3	12	30,2	26	19	0,8	SYWR 40 YTHR

SKF Food Line Y-bearing units stainless steel housings are lubricated for life. SKF does not recommend relubricating. However, if required the regreasing can be done by removing the stainless steel set screw tightened into the housing body having a thread 1/4-28 UNF.

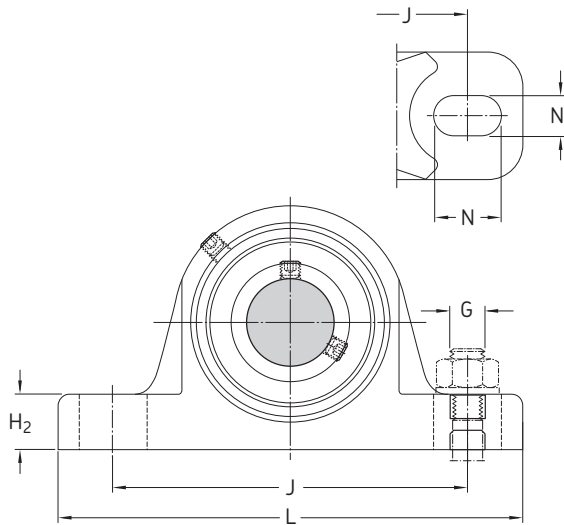
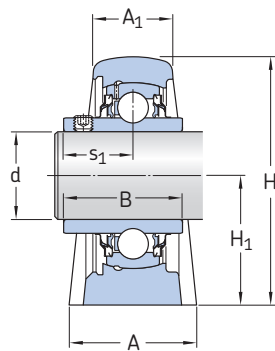


Designations Bearing unit	Separate components		Limiting speed with shaft tolerance	Mass Bearing unit	Appropriate cover Designation End cover closed	Dimension A <sub>5</sub>
	Housing	Bearing				
			h6			
			r/min	kg	–	mm
<b>SYWR 20 YTHR</b>	SYWR 504 Y	YAR 204-2RFGR/HV	5 000	0,60	ECW 204	25,5
<b>SYWR 25 YTHR</b>	SYWR 505 Y	YAR 205-2RFGR/HV	4 300	0,81	ECW 205	25,5
<b>SYWR 30 YTHR</b>	SYWR 506 Y	YAR 206-2RFGR/HV	3 800	1,22	ECW 206	30
<b>SYWR 35 YTHR</b>	SYWR 507 Y	YAR 207-2RFGR/HV	3 200	1,65	ECW 207	31
<b>SYWR 40 YTHR</b>	SYWR 508 Y	YAR 208-2RFGR/HV	2 800	1,99	ECW 208	31

**Stainless steel SKF Food Line Y-units plummer block stainless steel bearings, inch shafts**

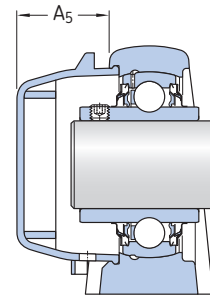
d 3/4 – 1 1/2 in.

19,05 – 38,1 mm



Dimensions													Basic load ratings		Fatigue load limit	Designation
d	A	A <sub>1</sub>	B	H	H <sub>1</sub>	H <sub>2</sub>	J	L	N	N <sub>1</sub>	G	s <sub>1</sub>	C	C <sub>0</sub>	P <sub>u</sub>	Bearing unit
in./mm													lbf/kN		lbf/kN	–
3/4 19,05	1.250 31,7	0.91 23	1.22 31	2.50 63,5	1.31 33,3	0.54 13,9	3.81 96,8	4.99 127	0.82 21	0.45 11,5	3/8 10	0.72 18,3	2 430 10,8	1 470 6,55	60 0,28	SYWR 3/4 YTHR
1 25,4	1.43 36,5	0.96 24,5	1.34 34,1	2.75 69,9	1.44 36,5	0.63 15,9	4.00 101,7	5.24 133,3	0.77 19,5	0.45 11,5	3/8 10	0.78 19,8	2 680 11,9	1 760 7,8	80 0,335	SYWR 1. YTHR
1 3/16 30,163	1.56 39,7	1.10 28	1.50 38,1	3.23 82,1	1.69 42,9	0.66 16,7	4.63 117,5	6.00 152,4	0.94 23,8	0.56 14,3	1/2 12	0.88 22,2	3 670 16,3	2 520 11,2	110 0,475	SYWR 1.3/16 YTHR
1 1/4 31,75	1.56 39,7	1.10 28	1.50 38,1	3.23 82,1	1.69 42,9	0.66 16,7	4.63 117,5	6.00 152,4	0.94 23,8	0.56 14,3	1/2 12	0.87 22,2	3 670 16,3	2 520 11,2	110 0,475	SYWR 1.1/4 AYTHR
	1.75 44,4	1.14 29	1.69 42,9	3.66 92,9	1.88 47,6	0.75 19	4.97 126,2	6.31 160,4	0.85 21,5	0.56 14,3	1/2 12	1.00 25,4	4 860 21,6	3 440 15,3	150 0,655	SYWR 1.1/4 YTHR
	1.75 44,5	1.14 29	1.69 42,9	3.66 92,9	1.88 47,6	0.75 19	4.97 126,2	6.31 160,4	0.85 21,5	0.56 14,3	1/2 12	1.00 25,4	4 860 21,6	3 440 15,3	150 0,655	SYWR 1.3/8 YTHR
1 7/16 36,513	1.75 44,5	1.14 29	1.69 42,9	3.66 92,9	1.88 47,6	0.75 19	4.97 126,2	6.31 160,4	0.85 21,5	0.56 14,3	1/2 12	1.00 25,4	4 860 21,6	3 440 15,3	150 0,655	SYWR 1.7/16 YTHR
1 1/2 38,1	1.88 47,6	1.30 33	1.94 49,2	3.91 99,2	1.94 49,2	0.75 19	5.34 135,7	6.875 174,6	0.969 24,6	0.563 14,3	1/2 12	1.19 30,2	5 845 26	4 280 19	180 0,8	SYWR 1.1/2 YTHR

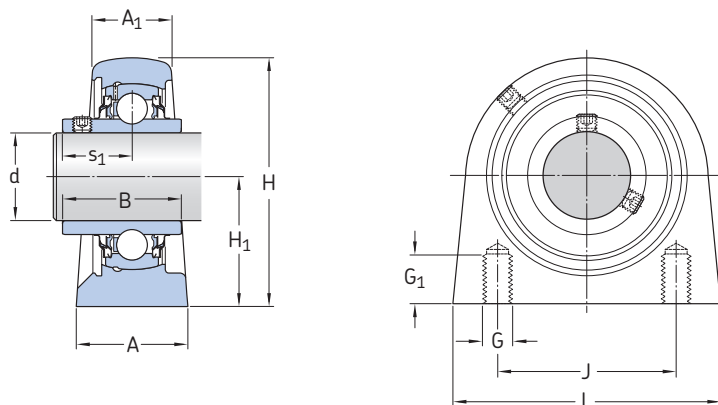
SKF Food Line Y-bearing units stainless steel housings are lubricated for life. SKF does not recommend relubricating. However, if required the regreasing can be done by removing the stainless steel set screw tightened into the housing body having a thread 1/4-28 UNF.



Designations Bearing unit	Separate components		Limiting speed with shaft tolerance  h6	Mass Bearing unit  lb/kg	Appropriate cover Designation End cover closed	Dimension A <sub>5</sub>  in./mm
	Housing	Bearing				
–			r/min		–	in./mm
<b>SYWR 3/4 YTHR</b>	SYWR 504 Y	YAR 204-012-2RFGR/HV	5 000	1.32 0,60	ECW 204	1,00 25,5
<b>SYWR 1. YTHR</b>	SYWR 505 Y	YAR 205-100-2RFGR/HV	4 300	1.79 0,81	ECW 205	1,00 25,5
<b>SYWR 1.3/16 YTHR</b>	SYWR 506 Y	YAR 206-103-2RFGR/HV	3 800	2.69 1,22	ECW 206	1,18 30
<b>SYWR 1.1/4 AYTHR</b>	SYWR 506 Y	YAR 206-104-2RFGR/HV	3 800	2.69 1,22	ECW 206	1,18 30
<b>SYWR 1.1/4 YTHR</b>	SYWR 507 Y	YAR 207-104-2RFGR/HV	3 200	3.64 1,65	ECW 207	1,22 31
<b>SYWR 1.3/8 YTHR</b>	SYWR 507 Y	YAR 207-106-2RFGR/HV	3 200	3.64 1,65	ECW 207	1,22 31
<b>SYWR 1.7/16 YTHR</b>	SYWR 507 Y	YAR 207-107-2RFGR/HV	3 200	3.64 1,65	ECW 207	1,22 31
<b>SYWR 1.1/2 YTHR</b>	SYWR 508 Y	YAR 208-108-2RFGR/HV	2 800	4.39 1,99	ECW 208	1,22 31

Stainless steel SKF Food Line Y-units short base plummer block stainless steel bearings, metric shafts

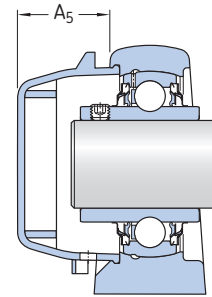
d 20 – 40 mm



Dimensions

d	A	A <sub>1</sub>	B	H	H <sub>1</sub>	J	L	G	G <sub>1</sub>	s <sub>1</sub>	Basic load ratings		Fatigue load	Designation Bearing unit
											dynamic	static	limit	
mm											C	C <sub>0</sub>	P <sub>u</sub>	–
20	28,6	23	31	63,5	33,3	50,8	66,7	M 10	13	18,3	10,8	6,55	0,28	SYFWR 20 YTHR
25	31,7	24,5	34,1	69,9	36,5	50,8	76,2	M 10	13	19,8	11,9	7,8	0,335	SYFWR 25 YTHR
30	38,1	28	38,1	82,6	42,9	76,2	98,4	M 10	16	22,2	16,3	11,2	0,475	SYFWR 30 YTHR
35	38,1	29	42,9	92,1	47,6	82,55	104,8	M 12	19	25,4	21,6	15,3	0,655	SYFWR 35 YTHR
40	41,3	33	49,2	100	49,2	88,9	114,3	M 12	19	30,2	26	19	0,8	SYFWR 40 YTHR

SKF Food Line Y-bearing units stainless steel housings are lubricated for life. SKF does not recommend relubricating. However, if required the regreasing can be done by removing the stainless steel set screw tightened into the housing body having a thread 1/4-28 UNF.

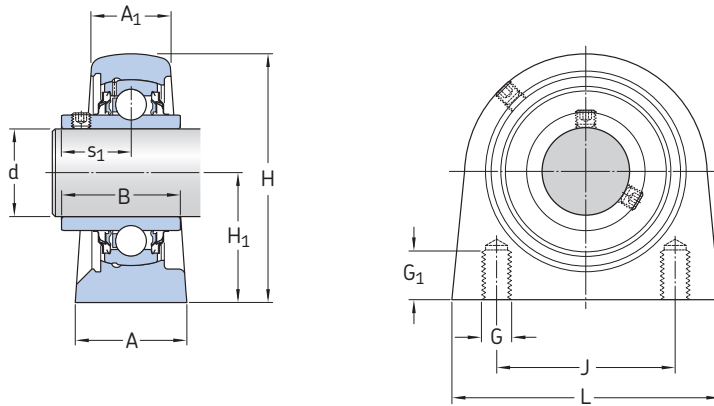


Designations Bearing unit	Separate components		Limiting speed with shaft tolerance  h6	Mass Bearing unit	Appropriate cover	
	Housing	Bearing			Designation End cover closed	Dimension A <sub>5</sub>
-			r/min	kg	-	mm
<b>SYFWR 20 YTHR</b>	SYFWR 504 Y	YAR 204-2RFGR/HV	5 000	0,45	ECW 204	25,5
<b>SYFWR 25 YTHR</b>	SYFWR 505 Y	YAR 205-2RFGR/HV	4 300	0,60	ECW 205	25,5
<b>SYFWR 30 YTHR</b>	SYFWR 506 Y	YAR 206-2RFGR/HV	3 800	1,05	ECW 206	30
<b>SYFWR 35 YTHR</b>	SYFWR 507 Y	YAR 207-2RFGR/HV	3 200	1,27	ECW 207	31
<b>SYFWR 40 YTHR</b>	SYFWR 508 Y	YAR 208-2RFGR/HV	2 800	1,66	ECW 208	31

**Stainless steel SKF Food Line Y-units plummer block stainless steel bearings, inch shafts**

d  $\frac{3}{4}$  – 1  $\frac{1}{2}$  in.

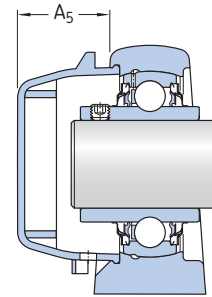
19,05 – 38,1 mm



**Dimensions**

d	A	A <sub>1</sub>	B	H	H <sub>1</sub>	J	L	G	G <sub>1</sub>	s <sub>1</sub>	Basic load ratings		Fatigue load limit	Designation Bearing unit
											dynamic C	static C <sub>0</sub>	static P <sub>u</sub>	
in./mm								UNC	in./mm		lbf/kN		lbf/kN	–
$\frac{3}{4}$ 19,05	1.13 28,6	0.80 20,3	1.22 31	2.50 63,5	1.31 33,3	2.00 50,8	2.63 66,7	3/8-16	0.50 13	0.72 18,3	2 430 10,8	1 470 6,55	60 0,28	SYFWR 3/4 ZYTHR
<b>1</b> 25,4	1.25 31,7	0.87 22,2	1.34 34,1	2.75 69,9	1.44 36,5	2.00 50,8	3.00 76,2	3/8-16	0.50 13	0.78 19,8	2 680 11,9	1 760 7,8	80 0,335	SYFWR 1. ZYTHR
$1\frac{3}{16}$ 30,163	1.50 38,1	1.00 25,4	1.50 38,1	3.25 82,6	1.69 42,9	3.00 76,2	3.87 98,4	7/16-14	0.63 16	0.87 22,2	3 670 16,3	2 520 11,2	110 0,475	SYFWR 1.3/16 ZYTHR
$1\frac{1}{4}$ 31,75	1.50 38,1	1.00 25,4	1.50 38,1	3.25 82,6	1.69 42,9	3.00 76,2	3.87 98,4	7/16-14	0.63 16	0.870 22,2	3 670 16,3	2 520 11,2	110 0,475	SYFWR 1.1/4 AZYTHR
	1.50 38,1	1.10 27,9	1.69 42,9	3.63 92,1	1.87 47,6	3.25 82,6	4.13 104,8	1/2-13	0.75 19	1.00 25,4	4 860 21,6	3 440 15,3	150 0,655	SYFWR 1.1/4 ZYTHR
$1\frac{3}{8}$ 34,925	1.50 38,1	1.10 27,9	1.69 42,9	3.63 92,1	1.87 47,6	3.25 82,6	4.13 104,8	1/2-13	0.75 19	1.00 25,4	4 860 21,6	3 440 15,3	150 0,655	SYFWR 1.3/8 ZYTHR
	$1\frac{7}{16}$ 36,513	1.50 38,1	1.10 27,9	1.69 42,9	3.63 92,1	1.87 47,6	3.25 82,6	1/2-13	0.75 19	1.00 25,4	4 860 21,6	3 440 15,3	150 0,655	SYFWR 1. 7/16 ZYTHR
$1\frac{1}{2}$ 38,1	1.63 41,3	1.25 31,8	1.94 49,2	3.94 100	1.94 49,2	3.50 88,9	4.50 114,3	1/2-13	0.75 19	1.19 30,2	5 845 26	4 280 19	180 0,8	SYFWR 1.1/2 ZYTHR

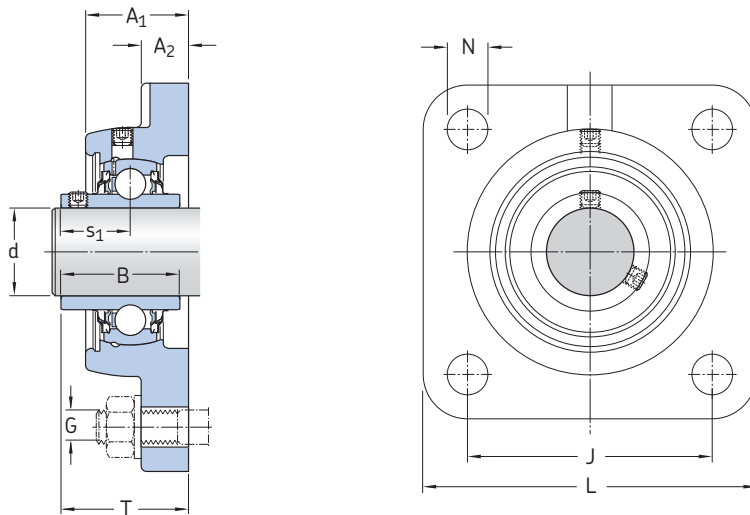
SKF Food Line Y-bearing units stainless steel housings are lubricated for life. SKF does not recommend relubricating. However, if required the regreasing can be done by removing the stainless steel set screw tightened into the housing body having a thread 1/4-28 UNF.



Designations Bearing unit	Separate components		Limiting speed with shaft tolerance	Mass Bearing unit	Appropriate cover	
	Housing	Bearing			Designation End cover closed	Dimension A <sub>5</sub>
			h6			
			r/min	lb/kg	-	in./mm
<b>SYFWR 3/4 ZYTHR</b>	SYFWR 504 ZY	YAR 204-012-2RFGR/HV	5 000	0.99 0,45	ECW 204	1.00 25,5
<b>SYFWR 1. ZYTHR</b>	SYFWR 505 ZY	YAR 205-100-2RFGR/HV	4 300	1.32 0,60	ECW 205	1.00 25,5
<b>SYFWR 1.3/16 ZYTHR</b>	SYFWR 506 ZY	YAR 206-103-2RFGR/HV	3 800	2.32 1,05	ECW 206	1.18 30
<b>SYFWR 1.1/4 AZYTHR</b>	SYFWR 506 ZY	YAR 206-104-2RFGR/HV	3 800	2.32 1,05	ECW 206	1.18 30
<b>SYFWR 1.1/4 ZYTHR</b>	SYFWR 507 ZY	YAR 207-104-2RFGR/HV	3 200	2.80 1,27	ECW 207	1.22 31
<b>SYFWR 1.3/8 ZYTHR</b>	SYFWR 507 ZY	YAR 207-106-2RFGR/HV	3 200	2.80 1,27	ECW 207	1.22 31
<b>SYFWR 1. 7/16 ZYTHR</b>	SYFWR 507 ZY	YAR 207-107-2RFGR/HV	3 200	2.80 1,27	ECW 207	1.22 31
<b>SYFWR 1.1/2 ZYTHR</b>	SYFWR 508 ZY	YAR 208-108-2RFGR/HV	2 800	3.66 1,66	ECW 208	1.22 31

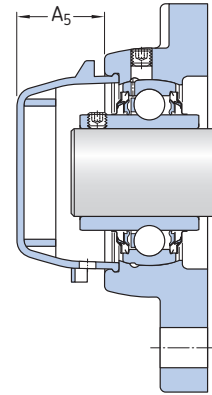
**Stainless steel SKF Food Line Y-units square flanged stainless steel bearings, metric shafts**

d 20 – 40 mm



Dimensions										Basic load ratings	Fatigue	Limiting	Designation	
d	A <sub>1</sub>	A <sub>2</sub>	B	J	L	N	G	s <sub>1</sub>	T	dynamic	static	load limit	speed	Bearing unit
mm										C	C <sub>0</sub>	P <sub>u</sub>	with shaft tolerance h6	–
20	25,8	11,1	31	63,5	85,7	11,1	10	18,3	32,6	10,8	6,55	0,28	5 000	FYWR 20 YTHR
25	29,4	13,5	34,1	69,9	95,3	11,5	10	19,8	36,5	11,9	7,8	0,335	4 300	FYWR 25 YTHR
30	34,1	13,5	38,1	82,6	108	12,7	10	22,2	42	16,3	11,2	0,475	3 800	FYWR 30 YTHR
35	35,7	14,3	42,9	92,1	117,5	14,3	12	25,4	46	21,6	15,3	0,655	3 200	FYWR 35 YTHR
40	38,9	14,3	49,2	101,6	130,2	14,3	12	30,2	53,2	26	19	0,8	2 800	FYWR 40 YTHR

SKF Food Line Y-bearing units stainless steel housings are lubricated for life. SKF does not recommend relubricating. However, if required the regreasing can be done by removing the stainless steel set screw tightened into the housing body having a thread 1/4-28 UNF.



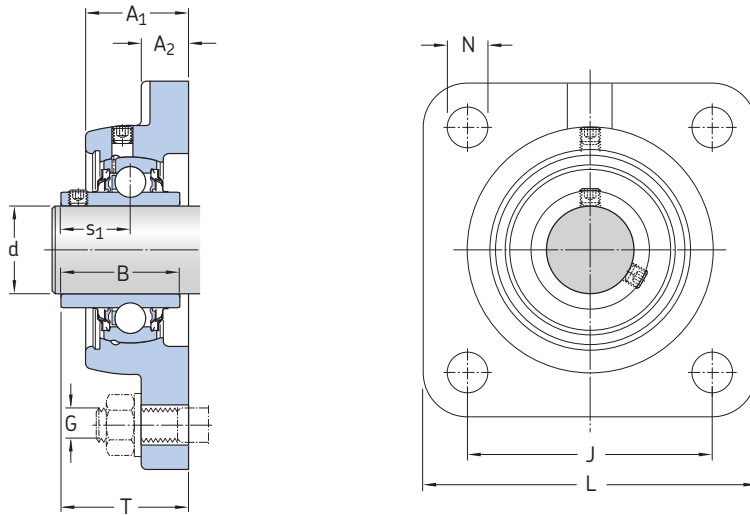
C

Designations Bearing unit	Separate components		Limiting speed with shaft tolerance	Mass Bearing unit	Appropriate cover	
	Housing	Bearing			Designation	Dimension End cover closed A <sub>5</sub>
			h6			
			r/min	kg	–	mm
FYWR 20 YTHR	FYWR 504 Y	YAR 204-2RFGR/HV	5 000	0,66	ECW 204	25,5
FYWR 25 YTHR	FYWR 505 Y	YAR 205-2RFGR/HV	4 300	0,99	ECW 205	25
FYWR 30 YTHR	FYWR 506 Y	YAR 206-2RFGR/HV	3 800	1,34	ECW 206	29,5
FYWR 35 YTHR	FYWR 507 Y	YAR 207-2RFGR/HV	3 200	1,74	ECW 207	30,5
FYWR 40 YTHR	FYWR 508 Y	YAR 208-2RFGR/HV	2 800	2,22	ECW 208	31.5

**Stainless steel SKF Food Line Y-units square flanged stainless steel bearings, inch shafts**

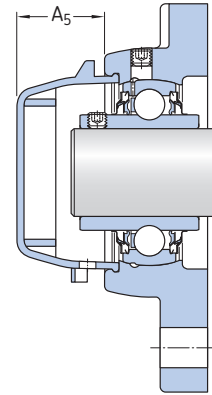
d 3/4 – 1 1/2 in.

19,05 – 38,1 mm



Dimensions										Basic load ratings		Fatigue load limit	Designation
d	A <sub>1</sub>	A <sub>2</sub>	B	J	L	N	G	s <sub>1</sub>	T	C	C <sub>0</sub>	static P <sub>u</sub>	Bearing unit
in./mm										lbf/kN		lbf/kN	–
3/4 19,05	1.02 25,8	0.44 11,1	1.22 31	2.50 63,5	3.38 85,7	0.44 11,1	3/8 10	0.72 18,3	1.28 32,6	2 430 10,8	1 470 6,55	60 0,28	FYWR 3/4 YTHR
1 25,4	1.16 29,4	0.53 13,5	1.34 34,1	2.75 69,9	3.75 95,3	0.45 11,5	7/16 10	0.78 19,8	1.44 36,5	2 680 11,9	1 760 7,8	80 0,335	FYWR 1. YTHR
1 3/16 30,163	1.34 34,1	0.53 13,5	1.50 38,1	3.25 82,6	4.25 108	0.50 12,7	7/16 10	0.87 22,2	1.65 42	3 670 16,3	2 520 11,2	110 0,475	FYWR 1.3/16 YTHR
1 1/4 31,75	1.34 34,1	0.53 13,5	1.50 38,1	3.25 82,6	4.25 108	0.50 12,7	7/16 10	0.87 22,2	1.65 42	3 670 16,3	2 520 11,2	110 0,475	FYWR 1.1/4 AYTHR
	1.41 35,7	0.56 14,3	1.69 42,9	3.63 92,1	4.63 117,5	0.56 14,3	1/2 12	1.00 25,4	1.81 46	4 860 21,6	3 440 15,3	150 0,655	FYWR 1.1/4 YTHR
1 3/8 34,925	1.41 35,7	0.56 14,3	1.69 42,9	3.63 92,1	4.63 117,5	0.56 14,3	1/2 12	1.00 25,4	1.81 46	4 860 21,6	3 440 15,3	150 0,655	FYWR 1.3/8 YTHR
1 7/16 36,513	1.41 35,7	0.56 14,3	1.69 42,9	3.63 92,1	4.63 117,5	0.56 14,3	1/2 12	1.00 25,4	1.81 46	4 860 21,6	3 440 15,3	150 0,655	FYWR 1.7/16 YTHR
1 1/2 38,1	1.53 38,9	0.56 14,3	1.94 49,2	4.00 101,6	5.13 130,2	0.56 14,3	1/2 12	1.19 30,2	2.09 53,2	5 845 26	4 280 19	180 0,8	FYWR 1.1/2 YTHR

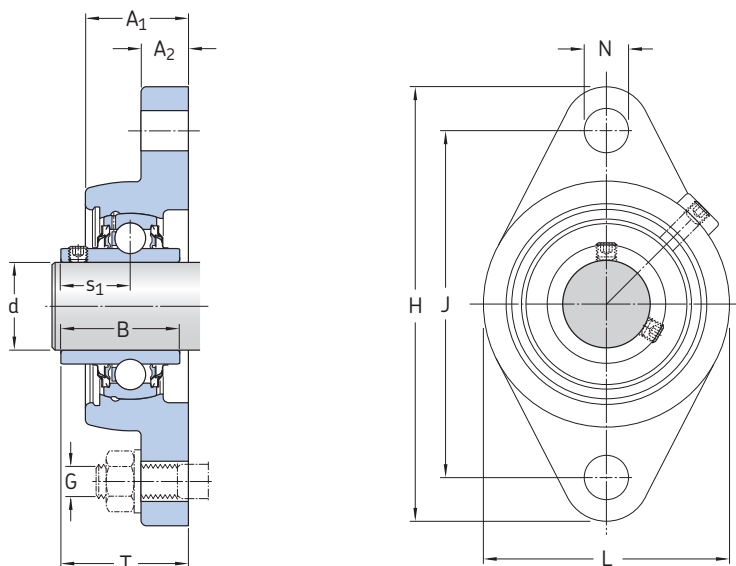
SKF Food Line Y-bearing units stainless steel housings are lubricated for life. SKF does not recommend relubricating. However, if required the regreasing can be done by removing the stainless steel set screw tightened into the housing body having a thread 1/4-28 UNF.



Designations Bearing unit	Separate components		Limiting speed with shaft tolerance  h6	Mass Bearing unit  lb/kg	Appropriate cover	
	Housing	Bearing			Designation	Dimension End cover closed A <sub>5</sub>
–			r/min		–	in./mm
FYWR 3/4 YTHR	FYWR 504 Y	YAR 204-012-2RFGR/HV	5 000	1.46 0,66	ECW 204	1.00 25,5
FYWR 1. YTHR	FYWR 505 Y	YAR 205-100-2RFGR/HV	4 300	2.18 0,99	ECW 205	0.98 25
FYWR 1.3/16 YTHR	FYWR 506 Y	YAR 206-103-2RFGR/HV	3 800	2.95 1,34	ECW 206	1.16 29,5
FYWR 1.1/4 AYTHR	FYWR 506 Y	YAR 206-104-2RFGR/HV	3 800	2.95 1,34	ECW 206	1.16 29,5
FYWR 1.1/4 YTHR	FYWR 507 Y	YAR 207-104-2RFGR/HV	3 200	3.84 1,74	ECW 207	1.20 30,5
FYWR 1.3/8 YTHR	FYWR 507 Y	YAR 207-106-2RFGR/HV	3 200	3.84 1,74	ECW 207	1.20 30,5
FYWR 1.7/16 YTHR	FYWR 507 Y	YAR 207-107-2RFGR/HV	3 200	3.84 1,74	ECW 207	1.20 30,5
FYWR 1.1/2 YTHR	FYWR 508 Y	YAR 208-108-2RFGR/HV	2 800	4.90 2,22	ECW 208	1.24 31,5

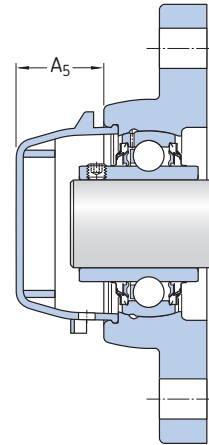
Stainless steel SKF Food Line Y-units oval flanged stainless steel bearings, metric shafts

d 20 – 40 mm



Dimensions											Basic load ratings		Fatigue load limit	Designation
d	A <sub>1</sub>	A <sub>2</sub>	B	H	J	L	N	G	s <sub>1</sub>	T	C	C <sub>0</sub>	P <sub>u</sub>	Bearing unit
mm											kN		kN	–
20	25,8	11,1	31	111,9	89,7	60,3	11,1	10	18,3	32,6	10,8	6,55	0,28	FYTWR 20 YTHR
25	29,4	13,5	34,1	123,8	98,8	69,9	12,7	10	19,8	36,5	11,9	7,8	0,335	FYTWR 25 YTHR
30	34,1	13,5	38,1	141,3	116,7	79,4	12,7	10	22,2	42	16,3	11,2	0,475	FYTWR 30 YTHR
35	35,7	14,3	42,9	155,6	130,2	92,1	14,3	12	25,4	46	21,6	15,3	0,655	FYTWR 35 YTHR
40	38,9	14,3	49,2	171,5	143,7	101,6	14,3	12	30,2	53,2	26	19	0,8	FYTWR 40 YTHR

SKF Food Line Y-bearing units stainless steel housings are lubricated for life. SKF does not recommend relubricating. However, if required the regreasing can be done by removing the stainless steel set screw tightened into the housing body having a thread 1/4-28 UNF.

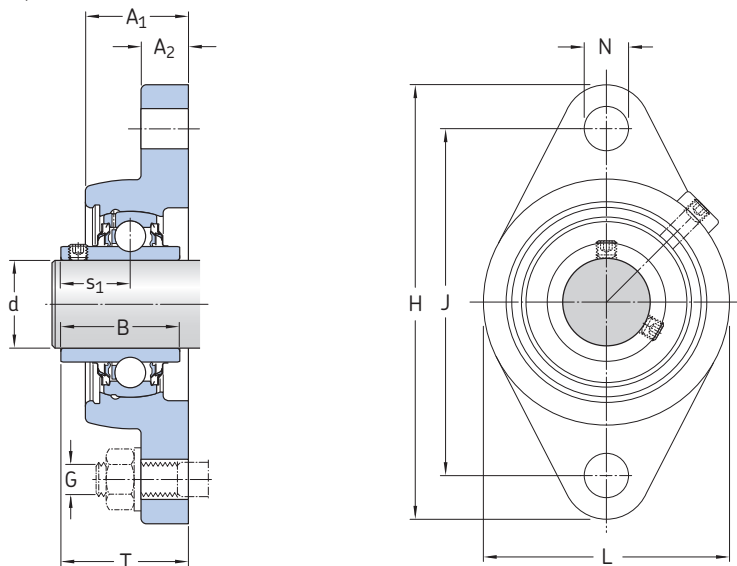


Designations Bearing unit	Separate components		Limiting speed with shaft tolerance	Mass Bearing unit	Appropriate cover	
	Housing	Bearing			Designation End cover closed	Dimension A <sub>5</sub>
			h6			
			r/min	kg	–	mm
FYTWR 20 YTHR	FYTWR 504 Y	YAR 204-2RFGR/HV	5 000	0,45	ECW 204	25,5
FYTWR 25 YTHR	FYTWR 505 Y	YAR 205-2RFGR/HV	4 300	0,68	ECW 205	25
FYTWR 30 YTHR	FYTWR 506 Y	YAR 206-2RFGR/HV	3 800	0,95	ECW 206	29,5
FYTWR 35 YTHR	FYTWR 507 Y	YAR 207-2RFGR/HV	3 200	1,29	ECW 207	30,5
FYTWR 40 YTHR	FYTWR 508 Y	YAR 208-2RFGR/HV	2 800	1,69	ECW 208	31,5

**Stainless steel SKF Food Line Y-units oval flanged stainless steel bearings, inch shafts**

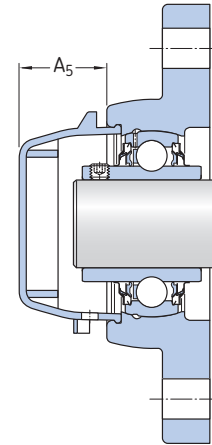
d 3/4 – 1 1/2 in.

19,05 – 38,1 mm



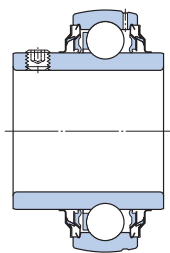
Dimensions											Basic load ratings		Fatigue load limit	Designation
d	A <sub>1</sub>	A <sub>2</sub>	B	H	J	L	V	G	S <sub>1</sub>	T	C	C <sub>0</sub>	P <sub>u</sub>	Bearing unit
in./mm											lbf/kN		lbf/kN	–
3/4 19,05	1,02 25,8	0,44 11,1	1,22 31	4,41 111,9	3,53 89,7	2,38 60,3	0,44 11,1	3/8 10	0,72 18,3	1,28 32,6	2 430 10,8	1 470 6,55	60 0,28	FYTWR 3/4 YTHR
1 25,4	1,16 29,4	0,53 13,5	1,34 34,1	4,88 123,8	3,89 98,8	2,75 69,9	0,50 12,7	7/16 10	0,779 19,8	1,44 36,5	2 680 11,9	1 760 7,8	80 0,335	FYTWR 1. YTHR
1 3/16 30,163	1,34 34,1	0,531 13,5	1,50 38,1	5,56 141,3	4,59 116,7	3,13 79,4	0,50 12,7	7/16 10	0,874 22,2	1,65 42	3 670 16,3	2 520 11,2	110 0,475	FYTWR 1.3/16 YTHR
1 1/4 31,75	1,344 34,1	0,53 13,5	1,50 38,1	5,56 141,3	4,59 116,7	3,13 79,4	0,50 12,7	7/16 10	0,874 22,2	1,65 42	3 670 16,3	2 520 11,2	110 0,475	FYTWR 1.1/4 AYTHR
	1,41 35,7	0,56 14,3	1,69 42,9	6,13 155,6	5,13 130,2	3,63 92,1	0,56 14,3	1/2 12	1,00 25,4	1,81 46	4 860 21,6	3 440 15,3	150 0,655	FYTWR 1.1/4 YTHR
1 3/8 34,925	1,41 35,7	0,56 14,3	1,69 42,9	6,13 155,6	5,13 130,2	3,63 92,1	0,56 14,3	1/2 12	1,00 25,4	1,81 46	4 850 21,6	3 440 15,3	150 0,655	FYTWR 1.3/8 YTHR
	1,41 36,513	0,56 14,3	1,69 42,9	6,13 155,6	5,13 130,2	3,63 92,1	0,56 14,3	1/2 12	1,00 25,4	1,81 46	4 850 21,6	3 440 15,3	150 0,655	FYTWR 1.7/16 YTHR
1 1/2 38,1	1,531 38,9	0,563 14,3	1,937 49,2	6,750 171,5	5,66 143,7	4,000 101,6	0,56 14,3	1/2 12	1,189 30,2	2,09 53,2	5 845 26	4 270 19	180 0,8	FYTWR 1.1/2 YTHR

SKF Food Line Y-bearing units stainless steel housings are lubricated for life. SKF does not recommend relubricating. However, if required the regreasing can be done by removing the stainless steel set screw tightened into the housing body having a thread 1/4-28 UNF.

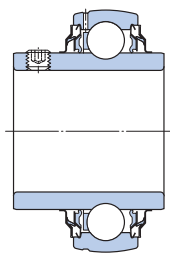


Designations Bearing unit	Separate components		Limiting speed with shaft tolerance	Mass Bearing unit	Appropriate cover	
	Housing	Bearing			Designation End cover closed	Dimension A <sub>5</sub>
			h6			
			r/min	lb/kg	–	in./mm
FYTWR 3/4 YTHR	FYTWR 504 Y	YAR 204-012-2RFGR/HV	5 000	0.99 0,45	ECW 204	1.00 25,4
FYTWR 1. YTHR	FYTWR 505 Y	YAR 205-100-2RFGR/HV	4 300	1.50 0,68	ECW 205	0.98 25
FYTWR 1.3/16 YTHR	FYTWR 506 Y	YAR 206-103-2RFGR/HV	3 800	2.09 0,95	ECW 206	1.16 29,5
FYTWR 1.1/4 AYTHR	FYTWR 506 Y	YAR 206-104-2RFGR/HV	3 800	2.09 0,95	ECW 206	1.16 29,5
FYTWR 1.1/4 YTHR	FYTWR 507 Y	YAR 207-104-2RFGR/HV	3 200	2.84 1,29	ECW 207	1.20 30,5
FYTWR 1.3/8 YTHR	FYTWR 507 Y	YAR 207-106-2RFGR/HV	3 200	2.84 1,29	ECW 207	1.20 30,5
FYTWR 1.7/16 YTHR	FYTWR 507 Y	YAR 207-107-2RFGR/HV	3 200	2.84 1,29	ECW 207	1.20 30,5
FYTWR 1.1/2 YTHR	FYTWR 508 Y	YAR 208-108-2RFGR/HV	2 800	3.73 1,69	ECW 208	1.24 31,5

SKF Food Line Y-bearings with grub screws, stainless steel, metric shaft  
d 20 – 50 mm



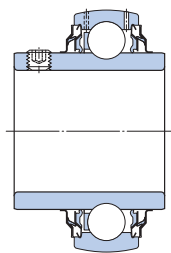
YAR 2..-2RF/HV



YAR 2..-2RFGR/HV

Dimensions							Basic load ratings		Fatigue load limit	Limiting speed	Mass	Designations	
d	D	B	C	d <sub>1</sub>	s <sub>1</sub>	r <sub>1,2</sub>	dynamic C	static C <sub>0</sub>	P <sub>u</sub>	with shaft tolerance h6	kg		
mm							kN	kN	r/min			-	
20	47	31	14	28,2	18,3	0,6	10,8	6,55	0,28	5 000	0,14	YAR 204-2RF/HV	YAR 204-2RFGR/HV
25	52	34,1	15	33,7	19,8	0,6	11,9	7,8	0,335	4 300	0,18	YAR 205-2RF/HV	YAR 205-2RFGR/HV
30	62	38,1	18	39,7	22,2	0,6	16,3	11,2	0,475	3 800	0,29	YAR 206-2RF/HV	YAR 206-2RFGR/HV
35	72	42,9	19	46,1	25,4	1	21,6	15,3	0,655	3 200	0,42	YAR 207-2RF/HV	YAR 207-2RFGR/HV
40	80	49,2	21	51,8	30,2	1	26	19	0,8	2 800	0,56	YAR 208-2RF/HV	YAR 208-2RFGR/HV
50	90	51,6	22	62,5	32,6	1	29,6	23,2	0,98	2 200	0,69	YAR 210-2RF/HV	YAR 210-2RFGR/HV

SKF Food Line Y-bearings with grub screws, zinc coated, metric shaft  
d 20 – 50 mm



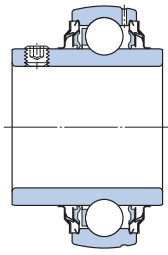
Dimensions							Basic load ratings		Fatigue load limit	Limiting speed	Mass	Designation
d	D	B	C	d <sub>1</sub>	s <sub>1</sub>	r <sub>1,2</sub>	dynamic C	static C <sub>0</sub>	P <sub>u</sub>	with shaft tolerance h6	kg	–
mm							kN	kN	r/min	kg	–	
20	47	31	14	28,2	18,3	0,6	12,7	6,55	0,28	5 000	0,14	YAR 204-2RF/VE495
25	52	34,1	15	33,7	19,8	0,6	14	7,8	0,335	4 300	0,18	YAR 205-2RF/VE495
30	62	38,1	18	39,7	22,2	0,6	19,5	11,2	0,475	3 800	0,29	YAR 206-2RF/VE495
35	72	42,9	19	46,1	25,4	1	25,5	15,3	0,655	3 200	0,42	YAR 207-2RF/VE495
40	80	49,2	21	51,8	30,2	1	30,7	19	0,8	2 800	0,56	YAR 208-2RF/VE495
50	90	51,6	22	62,5	32,6	1	35,1	23,2	0,98	2 200	0,69	YAR 210-2RF/VE495



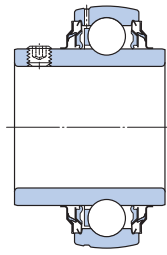
SKF Food Line Y-bearings with grub screws, stainless steel, inch shaft

d  $\frac{3}{4}$  –  $1\frac{15}{16}$  in.

19,05 – 49,213 mm



YAR 2..-2RF/HV



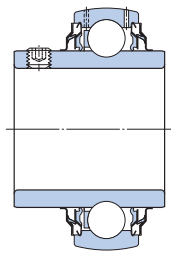
YAR 2..-2RFGR/HV

Dimensions							Basic load ratings		Fatigue load limit	Limiting speed	Mass	Designations	
d	D	B	C	d <sub>1</sub>	s <sub>1</sub>	r <sub>1,2</sub>	dynamic C	static C <sub>0</sub>	P <sub>u</sub>	with shaft tolerance h6	lb/kg	-	
in./mm							lbf/kN		lbf/kN	r/min	lb/kg	-	
$\frac{3}{4}$ 19,05	1.8504 47	1.22 31	0.55 14	1.11 28,2	0.72 18,3	0.02 0,6	2 430 10,8	1 470 6,55	60 0,28	5 000	0.36 0,16	YAR 204-012-2RF/HV	YAR 204-012-2RFGR/HV
<b>1</b> 25,4	2.0472 52	1.34 34,1	0.59 15	1.33 33,7	0.78 19,8	0.02 0,6	2 680 11,9	1 760 7,8	80 0,335	4 300	0.43 0,19	YAR 205-100-2RF/HV	YAR 205-100-2RFGR/HV
$1\frac{3}{16}$ 30,163	2.4409 62	1.5 38,1	0.71 18	1.56 39,7	0.87 22,2	0.02 0,6	3 670 16,3	2 520 11,2	110 0,475	3 800	0.64 0,29	YAR 206-103-2RF/HV	YAR 206-103-2RFGR/HV
$1\frac{1}{4}$ 31,75	2.4409 62	1.50 38,1	0.71 18	1.56 39,7	0.87 22,2	0.02 0,6	3 670 16,3	2 520 11,2	110 0,475	3 800	0.62 0,28	YAR 206-104-2RF/HV	YAR 206-104-2RFGR/HV
	2.8346 72	1.69 42,9	0.75 19	1.82 46,1	1.00 25,4	0.04 1	4 860 21,6	3 440 15,3	150 0,655	3 200	1.15 0,52	YAR 207-104-2RF/HV	YAR 207-104-2RFGR/HV
$1\frac{3}{8}$ 34,925	2.8346 72	1.69 42,9	0.75 19	1.81 46,1	1 25,4	0.04 1	4 860 21,6	3 440 15,3	150 0,655	3 200	0.93 0,42	YAR 207-106-2RF/HV	YAR 207-106-2RFGR/HV
$1\frac{7}{16}$ 36,513	2.8346 72	1.69 42,9	0.75 19	1.82 46,1	1.00 25,4	0.04 1	4 860 21,6	3 440 15,3	150 0,655	3 200	0.95 0,43	YAR 207-107-2RF/HV	YAR 207-107-2RFGR/HV
$1\frac{1}{2}$ 38,1	3.1496 80	1.94 49,2	0.83 21	2.04 51,8	1.19 30,2	0.04 1	5 845 26	4 280 19	180 0,8	2 800	1.25 0,56	YAR 208-108-2RF/HV	YAR 208-108-2RFGR/HV
$1\frac{15}{16}$ 49,213	3.5433 90	2.03 51,6	0.87 22	2.46 62,5	1.28 32,6	0.04 1	6 660 29,6	5 220 23,2	220 0,98	2 200	1.70 0,78	YAR 210-115-2RF/HV	YAR 210-115-2RFGR/HV

SKF Food Line Y-bearings with grub screws, zinc coated, inch shaft

d  $\frac{3}{4}$  –  $1\frac{15}{16}$  in.

19,05 – 49,213 mm



Dimensions							Basic load ratings		Fatigue load limit	Limiting speed	Mass	Designation
d	D	B	C	d <sub>1</sub>	s <sub>1</sub>	r <sub>1,2</sub>	dynamic C	static C <sub>0</sub>	P <sub>u</sub>	with shaft tolerance h6	lb/kg	–
in./mm							lbf/kN		lbf/kN	r/min		
$\frac{3}{4}$ 19,05	1.8504 47	1.22 31	0.55 14	1.11 28,2	0.72 18,3	0.02 0,6	2860 12,7	1 470 6,55	60 0,28	5 000	0.36 0,16	YAR 204-012-2RF/VE495
$\frac{15}{16}$ 23,81	2.0472 52	1.34 34,1	0.59 15	1.33 33,7	0.78 19,8	0.02 0,6	3 150 14	1 760 7,8	80 0,335	4 300	0.43 0,19	YAR 205-015-2RF/VE495
<b>1</b> 25,4	2.0472 52	1.34 34,1	0.59 15	1.33 33,7	0.78 19,8	0.02 0,6	3 150 14	1 760 7,8	80 0,335	4 300	0.43 0,19	YAR 205-100-2RF/VE495
$1\frac{1}{16}$ 30,163	2.4409 62	1.50 38,1	0.71 18	1.56 39,7	0.87 22,2	0.02 0,6	4 390 19,5	2 520 11,2	110 0,475	3 800	0.68 0,31	YAR 206-103-2RF/VE495
$1\frac{1}{4}$ 31,75	2.4409 62	1.50 38,1	0.71 18	1.56 39,7	0.87 22,2	0.02 0,6	4 390 19,5	2 520 11,2	110 0,475	3 800	0.62 0,28	YAR 206-104-2RF/VE495
	2.8346 72	1.69 42,9	0.75 19	1.82 46,1	1.00 25,4	0.04 1	5 740 25,5	3 440 15,3	150 0,655	3 200	1.00 0,46	YAR 207-104-2RF/VE495
$1\frac{3}{8}$ 34,925	2.8346 72	1.69 42,9	0.75 19	1.82 46,1	1.00 25,4	0.04 1	5 740 25,5	3 440 15,3	150 0,655	3 200	1.00 0,46	YAR 207-106-2RF/VE495
$1\frac{7}{16}$ 36,513	2.8346 72	1.69 42,9	0.75 19	1.82 46,1	1.00 25,4	0.04 1	5 740 25,5	3 440 15,3	150 0,655	3 200	0.93 0,42	YAR 207-107-2RF/VE495
$1\frac{1}{2}$ 38,1	3.1496 80	1.94 49,2	0.83 21	2.04 51,8	1.19 30,2	0.04 1	6 910 30,7	4 280 19	180 0,8	2 800	1.30 0,59	YAR 208-108-2RF/VE495
$1\frac{15}{16}$ 49,213	3.5433 90	2.03 51,6	0.87 22	2.46 62,5	1.28 32,6	0.04 1	7 900 35,1	5 220 23,2	220 0,98	2 200	1.70 0,78	YAR 210-115-2RF/VE495





# SKF Food Line equivalent list, metric and inch shafts

Plummer blocks		
Metric shafts .....	98	
Inch shafts .....	100	
Square flanged		
Metric shafts .....	102	
Inch shafts .....	104	
Oval flanged		
Metric shafts .....	106	
Inch shafts .....	108	
Short based plummer block		
Metric shafts .....	110	
Inch shafts .....	112	
3-bolt flange, metric /inch shafts .....		114
Take up unit, metric /inch shafts .....		116



**SKF Food Line equivalent list – metric shafts**

20–50 mm

**PLUMMER BLOCK**

	Housing	Insert bearing	Shaft diameter, mm		
			20	25	30
<b>SKF</b>	Composite	Zinc-coated	<b>SYWK 20 YTA</b>	<b>SYWK 25 YTA</b>	<b>SYWK 30 YTA</b>
	Composite	Stainless steel	<b>SYWK 20 YTH</b>	<b>SYWK 25 YTH</b>	<b>SYWK 30 YTH</b>
	Grey cast iron zinc coated	Zinc-coated	<b>SYWZ 20 YTA</b>	<b>SYWZ 25 YTA</b>	<b>SYWZ 30 YTA</b>
	Stainless steel	Stainless steel	<b>SYWR 20 YTHR</b>	<b>SYWR 25 YTHR</b>	<b>SYWR 30 YTHR</b>
<b>NTN</b>	Composite	Stainless steel	<b>F-UCPR 204/LP03</b>	<b>F-UCPR 205/LP03</b>	<b>F-UCPR 206/LP03</b>
	Stainless steel	Stainless steel	<b>F-UCPM204/LP03</b>	<b>F-UCPM205/LP03</b>	<b>F-UCPM206/LP03</b>
<b>INA</b>	Composite	Zinc-coated	<b>RASEY20-TV-VA</b>	<b>RASEY25-TV-VA</b>	<b>RASEY30-TV-VA</b>
<b>NSK</b>	Composite	Stainless steel	<b>PNP20CR</b>	<b>PNP25CR</b>	<b>PNP30CR</b>
<b>ASHAI</b>	Composite	Stainless steel	<b>MUCA 204</b>	<b>MUCA 205</b>	<b>MUCA 206</b>
	Stainless steel	Stainless steel	<b>MUCP 204</b>	<b>MUCP 205</b>	<b>MUCP 206</b>
<b>FYH</b>	Composite	Stainless steel	<b>UCVP204S6</b>	<b>UCVP205S6</b>	<b>UCVP206S6</b>
	Composite	Plated bearing	<b>UCVP204ES7</b>	<b>UCVP205ES7</b>	<b>UCVP206ES7</b>
	Stainless steel	Stainless steel	<b>UCSP204H1S6</b>	<b>UCSP205H1S6</b>	<b>UCSP206H1S6</b>
<b>DODGE</b>	Composite	Stainless steel	<b>P2B-SCEZ-20M-PCR</b>	<b>P2B-SCEZ-25M-PCR</b>	<b>P2B-SCUEZ-30M-PCR</b>
	Stainless steel	Stainless steel	<b>P2B-SCEZ-20M-SHCR</b>	<b>P2B-SCEZ-25M-SHCR</b>	<b>P2B-SCEZ-30M-SHCR</b>

**PLUMMER BLOCK**

	Housing	Insert bearing	Shaft diameter, mm		
			35	40	50
<b>SKF</b>	Composite	Zinc-coated	SYWK 35 YTA	SYWK 40 YTA	SYWK 50 LTA
	Composite	Stainless steel	SYWK 35 YTH	SYWK 40 YTH	SYWK 50 LTHR
	Grey cast iron zinc coated	Zinc-coated	SYWZ 35 YTA	SYWZ 40 YTA	SYWZ 50 YTA
	Stainless steel	Stainless steel	SYWR 35 YTHR	SYWR 40 YTHR	–
<b>NTN</b>	Composite	Stainless steel	F-UCPR 207/LP03	F-UCPR 208/LP03	–
	Stainless steel	Stainless steel	F-UCPM207/LP03	F-UCPM208/LP03	F-UCPM210/LP03
<b>INA</b>	Composite	Zinc-coated	RASEY35-TV-VA	RASEY40-TV-VA	RASEY50TV-VA
<b>NSK</b>	Composite	Stainless steel	PNP35CR	PNP40CR	–
<b>ASHAI</b>	Composite	Stainless steel	MUCA 207	MUCA 208	MUCA 210
	Stainless steel	Stainless steel	MUCP 207	MUCP 208	MUCP 210
<b>FYH</b>	Composite	Stainless steel	UCVP207S6	UCVP208S6	UCVP210S6
	Composite	Plated bearing	UCVP207ES7	UCVP208ES7	UCVP210ES7
	Stainless steel	Stainless steel	UCSP207H1S6	UCSP208H1S6	UCSP210H1S6
<b>DODGE</b>	Composite	Stainless steel	P2B-SCEZ-35M-PCR	P2B-SCBEZ-40M-PCR	P2B-SCEZ-50M-PCR
	Stainless steel	Stainless steel	P2B-SCEZ-35M-SHCR	P2B-SCBEZ-40M-SHCR	P2B-SCEZ-50M-SHCR



**SKF Food Line equivalent list – inch shafts**

3/4–1 1/4 in.

**PLUMMER BLOCK**

Housing		Insert bearing	Shaft diameter, in.		
			3/4	15/16	1.
<b>SKF</b>	Composite	Zinc-coated	SYWK 3/4 YTA	SYWK 15/16 YTA	SYWK 1. YTA
	Composite	Stainless steel	SYWK 3/4 YTH	–	SYWK 1. YTH
	Grey cast iron zinc coated	Zinc-coated	SYWZ 3/4 YTA	SYWZ 15/16 YTA	SYWZ 1. YTA
	Stainless steel	Stainless steel	SYWR 3/4 YTHR	–	SYWR 1. YTHR
<b>NTN</b>	Composite	Stainless steel	F-UCPR 204-012/LP03	F-UCPR 205-015/LP03	F-UCPR 205-100/LP03
	Stainless steel	Stainless steel	F-UCPM 204-012/LP03	F-UCPM 205-015/LP03	F-UCPM 205-100/LP03
<b>NSK</b>	Composite	Stainless steel	PNP3/4CR	–	PNP1.CR
<b>SEALMASTER</b>	Composite	Phosphorous Nickel-coated	CRPC-PN12	–	CRPC-PN16
	Composite	Stainless steel [CR-XTREME]	–	–	CRXPC-16
	Composite	Zinc dichromate coated bearing	CPS-Z212 NGF	–	CPS-Z216 NGF
	Composite	Stainless steel [CRES CS]	CPS-S212	–	CPS-S216
	Stainless steel	Stainless steel [CR-XTREME]	–	–	CRXPS-16
	Stainless steel	Black-oxide	NP-12C CR	–	NP-16C CR
	Stainless steel	Phosphorous Nickel-coated	CRPS-PN12	–	CRPS-PN16
<b>FYH</b>	Composite	Stainless steel	UCVP204-12S6	UCVP205-15-S6	UCVP205-16-S6
	Composite	Plated bearing	UCVP204-12ES7	UCVP205-15-ES7	UCVP205-16-ES7
	Stainless steel	Stainless steel	UCSP204-12H1S6	UCSP205-15-H1S6	UCSP205-16-H1S6
<b>DODGE</b>	Composite	Stainless steel	P2B-SCEZ-012-PCR	P2B-SCEZ-015-PCR	P2B-SCEZ-100-PCR
	Stainless steel	Stainless steel	P2B-SCEZ-012-SHCR	P2B-SCEZ-015-SHCR	P2B-SCEZ-100-SHCR

**SKF Food Line equivalent list – inch shafts**

1 3/8–1 15/16 in.

**PLUMMER BLOCK**

Housing		Insert bearing	Shaft diameter, in.	
			1 3/8	1 7/16
<b>SKF</b>	Composite	Zinc-coated	SYWK 1.3/8 YTA	SYWK 1.7/16 YTA
	Composite	Stainless steel	SYWK 1.3/8 YTH	SYWK 1.7/16 YTH
	Grey cast iron zinc coated	Zinc-coated	SYWZ 1.3/8 YTA	SYWZ 1.7/16 YTA
	Stainless steel	Stainless steel	SYWR 1.3/8 YTHR	SYWR 1.7/16 YTHR
<b>NTN</b>	Composite	Stainless steel	F-UCPR 207-106/LP03	F-UCPR 207-107/LP03
	Stainless steel	Stainless steel	F-UCPM 207-106/LP03	F-UCPM 207-107/LP03
<b>NSK</b>	Composite	Stainless steel	–	PNP1.7/16CR
<b>SEALMASTER</b>	Composite	Phosphorous Nickel-coated	–	CRPC-PN23
	Composite	Stainless steel [CR-XTREME]	–	CRXPC-23
	Composite	Zinc dichromate coated bearing	–	CPS-Z223 NGF
	Composite	Stainless steel [CRES CS]	–	CPS-S223
	Stainless steel	Stainless steel [CR-XTREME]	–	CRXPS-23
	Stainless steel	Black-oxide	–	NP-23C CR
	Stainless steel	Phosphorous Nickel-coated	–	CRPS-PN23
<b>FYH</b>	Composite	Stainless steel	UCVP207-22S6	UCVP207-23S6
	Composite	Plated bearing	UCVP207-22ES7	UCVP207-23ES7
	Stainless steel	Stainless steel	UCSP207-22H1S6	UCSP207-23H1S6
<b>DODGE</b>	Composite	Stainless steel	P2B-SCEZ-106-PCR	P2B-SCEZ-107-PCR
	Stainless steel	Stainless steel	P2B-SCEZ-106-SHCR	P2B-SCEZ-107-SHCR

**PLUMMER BLOCK**

	Housing	Insert bearing	Shaft diameter, in.		
			1 3/16	1 1/4	1 1/4
<b>SKF</b>	Composite	Zinc-coated	SYWK 1.3/16 YTA	SYWK 1.1/4 AYTA	SYWK 1.1/4 YTA
	Composite	Stainless steel	SYWK 1.3/16 YTH	SYWK 1.1/4 AYTH	SYWK 1.1/4 YTH
	Grey cast iron zinc coated	Zinc-coated	SYWZ 1.3/16 YTA	SYWZ 1.1/4 AYTA	SYWZ 1.1/4 YTA
	Stainless steel	Stainless steel	SYWR 1.3/16 YTHR	SYWR 1.1/4 AYTHR	SYWR 1.1/4 YTHR
<b>NTN</b>	Composite	Stainless steel	F-UCPR 206-103/LP03	F-UCPR 206-104/LP03	F-UCPR 207-104/LP03
	Stainless steel	Stainless steel	F-UCPM 206-103/LP03	F-UCPM 206-104/LP03	F-UCPM 207-104/LP03
<b>NSK</b>	Composite	Stainless steel	PNP1.3/16CR	PNP1.1/4RCR	PNP1.1/4 CR
<b>SEALMASTER</b>	Composite	Phosphorous Nickel-coated	CRPC-PN19	CRPC-PN20 R	CRPC-PN20
	Composite	Stainless steel [CR-XTREME]	CRXPC-19	CRXPC-20R	CRXPC-20
	Composite	Zinc dichromate coated bearing	CPS-Z219 NGF	CPS-Z220S NGF	CPS-Z220 NGF
	Composite	Stainless steel [CRES CS]	CPS-S219	CPS-S220S	CPS-S220
	Stainless steel	Stainless steel [CR-XTREME]	CRXPS-19	CRXPS-20R	CRXPS-20
	Stainless steel	Black-oxide	NP-19C CR	NP-20RC CR	NP-20C CR
	Stainless steel	Phosphorous Nickel-coated	CRPS-PN19	CRPS-PN20 R	CRPS-PN20
Stainless steel	Stainless steel [CRES SS]	SPS-S219	SPS-S220S	SPS-S220	
<b>FYH</b>	Composite	Stainless steel	UCVP206-19S6	UCVP206-20S6	UCVP207-20S6
	Composite	Plated bearing	UCVP206-19ES7	UCVP206-20ES7	UCVP207-20ES7
	Stainless steel	Stainless steel	UCSP206-19H1S6	UCSP206-20H1S6	UCSP207-20H1S6
<b>DODGE</b>	Composite	Stainless steel	P2B-SCUEZ-103-PCR	P2B-SCUEZ-104S-PCR	P2B-SCEZ-104-PCR
	Stainless steel	Stainless steel	P2B-SCEZ-103-SHCR	P2B-SCUEZ-104S-SHCR	P2B-SCEZ-104-SHCR

**PLUMMER BLOCK**

	Housing	Insert bearing	Shaft diameter, in.	
			1 1/2	1 15/16
<b>SKF</b>	Composite	Zinc-coated	SYWK 1.1/2 YTA	SYWK 1.15/16 LTA
	Composite	Stainless steel	SYWK 1.1/2 YTH	SYWK 1.15/16 LTHR
	Grey cast iron zinc coated	Zinc-coated	SYWZ 1.1/2 YTA	SYWZ 1.15/16 YTA
	Stainless steel	Stainless steel	SYWR 1.1/2 YTHR	-
<b>NTN</b>	Composite	Stainless steel	F-UCPR 208-108/LP03	-
	Stainless steel	Stainless steel	F-UCPM 208-108/LP03	F-UCPM 210-115/LP03
<b>NSK</b>	Composite	Stainless steel	PNP1.1/2CR	-
<b>SEALMASTER</b>	Composite	Phosphorous Nickel-coated	CRPC-PN24	-
	Composite	Stainless steel [CR-XTREME]	CRXPC-24	-
	Composite	Zinc dichromate coated bearing	CPS-Z224 NGF	-
	Composite	Stainless steel [CRES CS]	CPS-S224	-
	Stainless steel	Stainless steel [CR-XTREME]	CRXPS-24	-
	Stainless steel	Black-oxide	NP-24C CR	NP-31C CR
	Stainless steel	Phosphorous Nickel-coated	CRPS-PN24	CRPS-PN31
Stainless steel	Stainless steel [CRES SS]	SPS-S224	-	
<b>FYH</b>	Composite	Stainless steel	UCVP208-24S6	UCVP210-31S6
	Composite	Plated bearing	UCVP208-24ES7	UCVP210-31ES7
	Stainless steel	Stainless steel	UCSP208-24H1S6	UCSP210-31H1S6
<b>DODGE</b>	Composite	Stainless steel	P2B-SCBEZ-108-PCR	P2B-SCEZ-115-PCR
	Stainless steel	Stainless steel	P2B-SCEZ-108-SHCR	P2B-SCEZ-115-SHCR

**SKF Food Line equivalent list – metric shafts**

20–50 mm

**SQUARE FLANGED**

	Housing	Insert bearing	Shaft diameter, mm		
			20	25	30
<b>SKF</b>	Composite	Zinc-coated	FYWK 20 YTA	FYWK 25 YTA	FYWK 30 YTA
	Composite	Stainless steel	FYWK 20 YTH	FYWK 25 YTH	FYWK 30 YTH
	Grey cast iron zinc coated	Zinc-coated	FYWZ 20 YTA	FYWZ 25 YTA	FYWZ 30 YTA
	Stainless steel	Stainless steel	FYWR 20 YTHR	FYWR 25 YTHR	FYWR 30 YTHR
<b>INA</b>	Composite	Zinc-coated	RCJY20-TV-VA	RCJY25-TV-VA	RCJY30-TV-VA
<b>NSK</b>	Composite	Stainless steel	PSF20CR	PSF25CR	PSF30CR
<b>ASHAI</b>	Composite	Stainless steel	MUCB 204	MUCB 205	MUCB 206
	Stainless steel	Stainless steel	MUCF 204	MUCF 205	MUCF 206
<b>FYH</b>	Composite	Stainless steel	UCVF204S6	UCVF205S6	UCVF206S6
	Composite	Plated bearing	UCVF204ES7	UCVF205ES7	UCVF206ES7
	Stainless steel	Stainless steel	UCSF204H1S6	UCSF205H1S6	UCSF206H1S6
<b>DODGE</b>	Composite	Stainless steel	F4B-SCEZ-20M-PCR	F4B-SCEZ-25M-PCR	F4B-SCEZ-30M-PCR
	Stainless steel	Stainless steel	F4B-SCEZ-20M-SHCR	F4B-SCEZ-25M-SHCR	F4B-SCEZ-30M-SHCR
<b>MARBETT</b>	Composite	Steel bearing	–	UCF 205 C	UCF 206 C

**SQUARE FLANGED**

	Housing	Insert bearing	Shaft diameter, mm		
			35	40	50
<b>SKF</b>	Composite	Zinc-coated	FYWK 35 YTA	FYWK 40 YTA	FYWK 50 LTA
	Composite	Stainless steel	FYWK 35 YTH	FYWK 40 YTH	FYWK 50 LTHR
	Grey cast iron zinc coated	Zinc-coated	FYWZ 35 YTA	FYWZ 40 YTA	FYWZ 50 YTA
	Stainless steel	Stainless steel	FYWR 35 YTHR	FYWR 40 YTHR	–
<b>INA</b>	Composite	Zinc-coated	RCJY35-TV-VA	RCJY40-TV-VA	RCJY50TV-VA
<b>NSK</b>	Composite	Stainless steel	PSF35CR	PSF40CR	–
<b>ASHAI</b>	Composite	Stainless steel	MUCB 207	MUCB 208	MUCB 210
	Stainless steel	Stainless steel	MUCF 207	MUCF 208	MUCF 210
<b>FYH</b>	Composite	Stainless steel	UCVF207S6	UCVF208S6	–
	Composite	Plated bearing	UCVF207ES7	UCVF208ES7	–
	Stainless steel	Stainless steel	UCSF207H1S6	UCSF208H1S6	UCSF210H1S6
<b>DODGE</b>	Composite	Stainless steel	F4B-SCEZ-35M-PCR	F4B-SCEZ-40M-PCR	F4B-SCEZ-50M-PCR
	Stainless steel	Stainless steel	F4B-SCEZ-35M-SHCR	F4B-SCEZ-40M-SHCR	F4B-SCEZ-50M-SHCR
<b>MARBETT</b>	Composite	Steel bearing	UCF 207 C	UCF 208 C	UCF 210 C

**D**

**SKF Food Line equivalent list – inch shafts**

3/4–1 1/4 in.

**SQUARE FLANGED**

Housing		Insert bearing	Shaft diameter, in.		
			3/4	15/16	1.
<b>SKF</b>	Composite	Zinc-coated	FYWK 3/4 YTA	FYWK 15/16 YTA	FYWK 1. YTA
	Composite	Stainless steel	FYWK 3/4 YTH	–	FYWK 1. YTH
	Grey cast iron zinc coated	Zinc-coated	FYWZ 3/4 YTA	FYWZ 15/16 YTA	FYWZ 1. YTA
	Stainless steel	Stainless steel	FYWR 3/4 YTHR	–	FYWR 1. YTHR
<b>NSK</b>	Composite	Stainless steel	PSF3/4CR	–	PSF1.CR
<b>SEALMASTER</b>	Composite	Phosphorous Nickel-coated	CRFC-PN12	–	CRFC-PN16
	Composite	Stainless steel [CR-XTREME]	–	–	CRXFC-16
	Composite	Zinc dichromate coated bearing	CF4S-Z212 NGF	–	CF4S-Z216 NGF
	Composite	Stainless steel [CRES CS]	CF4S-S212	–	CF4S-S216
	Stainless steel	Stainless steel [CR-XTREME]	–	–	CRXFS-16
	Stainless steel	Black-oxide	SF-12C CR	–	SF-16C CR
	Stainless steel	Phosphorous Nickel-coated	CRFS-PN12	–	CRFS-PN16
	Stainless steel	Stainless steel [CRES SS]	SF4S-S212	–	SF4S-S216
<b>FYH</b>	Composite	Stainless steel	UCVF204-12S6	UCVF205-15-S6	UCVF205-16-S6
	Composite	Plated bearing	UCVF204-12ES7	UCVF205-15-ES7	UCVF205-16-ES7
	Stainless steel	Stainless steel	UCSF204-12H1S6	UCSF205-15-H1S6	UCSF205-16-H1S6
<b>DODGE</b>	Composite	Stainless steel	F4B-SCEZ-012-PCR	F4B-SCEZ-015-PCR	F4B-SCEZ-100-PCR
	Stainless steel	Stainless steel	F4B-SCEZ-012-SHCR	F4B-SCEZ-015-SHCR	F4B-SCEZ-100-SHCR

**SKF Food Line equivalent list – inch shafts**

1 3/8–1 15/16 in.

**SQUARE FLANGED**

Housing		Insert bearing	Shaft diameter, in.	
			1 3/8	1 7/16
<b>SKF</b>	Composite	Zinc-coated	FYWK 1.3/8 YTA	FYWK 1.7/16 YTA
	Composite	Stainless steel	FYWK 1.3/8 YTH	FYWK 1.7/16 YTH
	Grey cast iron zinc coated	Zinc-coated	FYWZ 1.3/8 YTA	FYWZ 1.7/16 YTA
	Stainless steel	Stainless steel	–	–
<b>NSK</b>	Composite	Stainless steel	–	PSF1.7/16CR
<b>SEALMASTER</b>	Composite	Phosphorous Nickel-coated	–	CRFC-PN23
	Composite	Stainless steel [CR-XTREME]	–	CRXFC-23
	Composite	Zinc dichromate coated bearing	–	CF4S-Z223 NGF
	Composite	Stainless steel [CRES CS]	–	CF4S-S223
	Stainless steel	Stainless steel [CR-XTREME]	–	CRXFS-23
	Stainless steel	Black-oxide	–	SF-23C CR
	Stainless steel	Phosphorous Nickel-coated	–	CRFS-PN23
	Stainless steel	Stainless steel [CRES SS]	–	SF4S-S223
<b>FYH</b>	Composite	Stainless steel	UCVF207-22S6	UCVF207-23S6
	Composite	Plated bearing	UCVF207-22ES7	UCVF207-23ES7
	Stainless steel	Stainless steel	UCSF207-22H1S6	UCSF207-23H1S6
<b>DODGE</b>	Composite	Stainless steel	F4B-SCEZ-106-PCR	F4B-SCEZ-107-PCR
	Stainless steel	Stainless steel	F4B-SCEZ-106-SHCR	F4B-SCEZ-107-SHCR

**SQUARE FLANGED**

	Housing	Insert bearing	Shaft diameter, in.		
			1 <sup>3</sup> / <sub>16</sub>	1 <sup>1</sup> / <sub>4</sub>	1 <sup>1</sup> / <sub>4</sub>
<b>SKF</b>	Composite	Zinc-coated	FYWK 1.3/16 YTA	FYWK 1.1/4 AYTA	FYWK 1.1/4 YTA
	Composite	Stainless steel	FYWK 1.3/16 YTH	FYWK 1.1/4 AYTH	FYWK 1.1/4 YTH
	Grey cast iron zinc coated	Zinc-coated	FYWZ 1.3/16 YTA	FYWZ 1.1/4 YTA	FYWZ 1.1/4 AYTA
	Stainless steel	Stainless steel	FYWR 1.3/16 YTHR	–	FYWR 1.1/4 AYTHR
<b>NSK</b>	Composite	Stainless steel	PSF1.3/16CR	PSF1.1/4RCR	PSF1.1/4CR
<b>SEALMASTER</b>	Composite	Phosphorous Nickel-coated	CRFC-PN19	CRFC-PN20 R	CRFC-PN20
	Composite	Stainless steel [CR-XTREME]	CRXFC-19	CRXFC-20R	CRXFC-20
	Composite	Zinc dichromate coated bearing	CF4S-Z219 NGF	CF4S-Z220S NGF	CF4S-Z220 NGF
	Composite	Stainless steel [CRES CS]	CF4S-S219	CF4S-S220S	CF4S-S220
	Stainless steel	Stainless steel [CR-XTREME]	CRXFS-19	CRXFS-20R	CRXFS-20
	Stainless steel	Black-oxide	SF-19C CR	SF-20RC CR	SF-20C CR
	Stainless steel	Phosphorous Nickel-coated	CRFS-PN19	CRFS-PN20 R	CRFS-PN20
Stainless steel	Stainless steel [CRES SS]	SF4S-S219	SF4S-S220S	SF4S-S220	
<b>FYH</b>	Composite	Stainless steel	UCVF206-19S6	UCVF206-20S6	UCVF207-20S6
	Composite	Plated bearing	UCVF206-19ES7	UCVF206-20ES7	UCVF207-20ES7
	Stainless steel	Stainless steel	UCSF206-19H1S6	UCSF206-20H1S6	UCSF207-20H1S6
<b>DODGE</b>	Composite	Stainless steel	F4B-SCEZ-103-PCR	F4B-SCEZ-104S-PCR	F4B-SCEZ-104-PCR
	Stainless steel	Stainless steel	F4B-SCEZ-103-SHCR	F4B-SCEZ-104S-SHCR	F4B-SCEZ-104-SHCR

**SQUARE FLANGED**

	Housing	Insert bearing	Shaft diameter, in.	
			1 <sup>1</sup> / <sub>2</sub>	1 <sup>15</sup> / <sub>16</sub>
<b>SKF</b>	Composite	Zinc-coated	FYWK 1.1/2 YTA	FYWK 1.15/16 LTA
	Composite	Stainless steel	FYWK 1.1/2 YTH	FYWK 1.15/16 LTHR
	Grey cast iron zinc coated	Zinc-coated	FYWZ 1.1/2 YTA	FYWZ 1.15/16 YTA
	Stainless steel	Stainless steel	–	–
<b>NSK</b>	Composite	Stainless steel	PSF1.1/2CR	–
<b>SEALMASTER</b>	Composite	Phosphorous Nickel-coated	CRFC-PN24	–
	Composite	Stainless steel [CR-XTREME]	CRXFC-24	–
	Composite	Zinc dichromate coated bearing	CF4S-Z224 NGF	–
	Composite	Stainless steel [CRES CS]	CF4S-S224	–
	Stainless steel	Stainless steel [CR-XTREME]	CRXFS-24	–
	Stainless steel	Black-oxide	SF-24C CR	SF-31C CR
	Stainless steel	Phosphorous Nickel-coated	CRFS-PN24	CRFS-PN31
Stainless steel	Stainless steel [CRES SS]	SF4S-S224	–	
<b>FYH</b>	Composite	Stainless steel	UCVF208-24S6	–
	Composite	Plated bearing	UCVF208-24ES7	–
	Stainless steel	Stainless steel	UCSF208-24H1S6	UCSF210-31H1S6
<b>DODGE</b>	Composite	Stainless steel	F4B-SCEZ-108-PCR	F4B-SCEZ-115-PCR
	Stainless steel	Stainless steel	F4B-SCEZ-108-SHCR	F4B-SCEZ-115-SHCR

**SKF Food Line equivalent list – metric shafts**

20–50 mm

**OVAL FLANGED**

	Housing	Insert bearing	Shaft diameter, mm		
			20	25	30
<b>SKF</b>	Composite	Zinc-coated	FYTWK 20 YTA	FYTWK 25 YTA	FYTWK 30 YTA
	Composite	Stainless steel	FYTWK 20 YTH	FYTWK 25 YTH	FYTWK 30 YTH
	Grey cast iron zinc coated	Zinc-coated	FYTWZ 20 YTA	FYTWZ 25 YTA	FYTWZ 30 YTA
	Stainless steel	Stainless steel	FYTWR 20 YTHR	FYTWR 25 YTHR	FYTWR 30 YTHR
<b>NTN</b>	Composite	Stainless steel	F-UCFLR 204/LP03	F-UCFLR 205/LP03	F-UCFLR 206/LP03
	Stainless steel	Stainless steel	F-UCFM204/LP03	F-UCFM205/LP03	F-UCFM206/LP03
<b>INA</b>	Composite	Zinc-coated	RCJTY20-TV-VA	RCJTY25-TV-VA	RCJTY30-TV-VA
<b>NSK</b>	Composite	Stainless steel	PSFT20CR	PSFT25CR	PSFT30CR
<b>ASHAI</b>	Composite	Stainless steel	MUCD 204	MUCD 205	MUCD 206
	Stainless steel	Stainless steel	MUCFL 204	MUCFL 205	MUCFL 206
<b>FYH</b>	Composite	Stainless steel	UCVFL204S6	UCVFL205S6	UCVFL206S6
	Composite	Plated bearing	UCVFL204ES7	UCVFL205ES7	UCVFL206ES7
	Stainless steel	Stainless steel	UCSFL204H1S6	UCSFL205H1S6	UCSFL206H1S6
<b>DODGE</b>	Composite	Stainless steel	F2B-SCEZ-20M-PCR	F2B-SCEZ-25M-PCR	F2B-SCEZ-30M-PCR
	Stainless steel	Stainless steel	F2B-SCEZ-20M-SHCR	F2B-SCEZ-25M-SHCR	F2B-SCEZ-30M-SHCR
<b>MARBETT</b>	Composite	Steel bearing	UCFL 204 C	UCFL 205 C	UCFL 206 C

**OVAL FLANGED**

	Housing	Insert bearing	Shaft diameter, mm		
			35	40	50
<b>SKF</b>	Composite	Zinc-coated	FYTWK 35 YTA	FYTWK 40 LTA	FYTWK 50 LTA
	Composite	Stainless steel	FYTWK 35 YTH	FYTWK 40 LTHR	FYTWK 50 LTHR
	Grey cast iron zinc coated	Zinc-coated	FYTWZ 35 YTA	FYTWZ 40 YTA	FYTWZ 50 YTA
	Stainless steel	Stainless steel	FYTWR 35 YTHR	FYTWR 40 YTHR	–
<b>NTN</b>	Composite	Stainless steel	F-UCFLR 207/LP03	F-UCFLR 208/LP03	–
	Stainless steel	Stainless steel	F-UCFM207/LP03	F-UCFM208/LP03	F-UCFM210/LP03
<b>INA</b>	Composite	Zinc-coated	RCJTY35-TV-VA	RCJTY40-TV-VA	RCJTY50TV-VA
<b>NSK</b>	Composite	Stainless steel	PSFT35CR	PSFT40CR	–
<b>ASHAI</b>	Composite	Stainless steel	MUCD 207	MUCD 208	MUCD 210
	Stainless steel	Stainless steel	MUCFL 207	MUCFL 208	MUCFL 210
<b>FYH</b>	Composite	Stainless steel	UCVFL207S6	UCVFL208S6	–
	Composite	Plated bearing	UCVFL207E57	UCVFL208E57	–
	Stainless steel	Stainless steel	UCSFL207H1S6	UCSFL208H1S6	UCSFL210H1S6
<b>DODGE</b>	Composite	Stainless steel	F2B-SCEZ-35M-PCR	F2B-SCBEZ-40M-PCR	F2B-SCEZ-50M-PCR
	Stainless steel	Stainless steel	F2B-SCEZ-35M-SHCR	F2B-SCBEZ-40M-SHCR	F2B-SCEZ-50M-SHCR
<b>MARBETT</b>	Composite	Steel bearing	UCFL 207 C	UCFL 208 C	–



**SKF Food Line equivalent list – inch shafts**

3/4–1 1/4 in.

**OVAL FLANGED**

	Housing	Insert bearing	Shaft diameter, in.		
			3/4	15/16	1.
SKF	Composite	Zinc-coated	FYTWK 3/4 YTA	FYTWK 15/16 YTA	FYTWK 1. YTA
	Composite	Stainless steel	FYTWK 3/4 YTH	–	FYTWK 1. YTH
	Grey cast iron zinc coated	Zinc-coated	FYTWZ 3/4 YTA	FYTWZ 15/16 YTA	FYTWZ 1. YTA
	Stainless steel	Stainless steel	FYTWZ 3/4 YTHR	–	FYTWZ 1. YTHR
NTN	Composite	Stainless steel	F-UCFLR 204-012/LP03	F-UCFLR 205-015/LP03	F-UCFLR 205-100/LP03
	Stainless steel	Stainless steel	F-UCFM 204-012/LP03	F-UCFM 205-015/LP03	F-UCFM 205-100/LP03
NSK	Composite	Stainless steel	PSFT3/4CR	–	PSFT1.CR
SEALMASTER	Composite	Phosphorous Nickel-coated	CRFTC-PN12	–	CRFTC-PN16
	Composite	Stainless steel [CR-XTREME]	–	–	CRXFTC-16
	Composite	Zinc dichromate coated bearing	CF2S-Z212 NGF	–	CF2S-Z216 NGF
	Composite	Stainless steel [CRES CS]	CF2S-S212	–	CF2S-S216
	Stainless steel	Stainless steel [CR-XTREME]	–	–	CRXFTS-16
	Stainless steel	Black-oxide	SFT-12C CR	–	SFT-16C CR
	Stainless steel	Phosphorous Nickel-coated	CRFTS-PN12	–	CRFTS-PN16
FYH	Composite	Stainless steel	UCVFL204-12S6	UCVFL205-15-S6	UCVFL205-16-S6
	Composite	Plated bearing	UCVFL204-12ES7	UCVFL205-15-ES7	UCVFL205-16-ES7
	Stainless steel	Stainless steel	UCSFL204-12H1S6	UCSFL205-15-H1S6	UCSFL205-16-H1S6
DODGE	Composite	Stainless steel	F2B-SCEZ-012-PCR	F2B-SCEZ-015-PCR	F2B-SCEZ-100-PCR
	Composite				
	Stainless steel	Stainless steel	F2B-SCEZ-012-SHCR	F2B-SCEZ-015-SHCR	F2B-SCEZ-100-SHCR

**SKF Food Line equivalent list – inch shafts**

1 3/8–1 15/16 in.

**OVAL FLANGED**

	Housing	Insert bearing	Shaft diameter, in.	
			1 3/8	1 7/16
SKF	Composite	Zinc-coated	FYTWK 1.3/8 YTA	FYTWK 1.7/16 YTA
	Composite	Stainless steel	FYTWK 1.3/8 YTH	FYTWK 1.7/16 YTH
	Grey cast iron zinc coated	Zinc-coated	FYTWZ 1.3/8 YTA	FYTWZ 1.7/16 YTA
	Stainless steel	Stainless steel	FYTWZ 1.3/8 YTHR	FYTWZ 1.7/16 YTHR
NTN	Composite	Stainless steel	F-UCFLR 207-106/LP03	F-UCFLR 207-107/LP03
	Stainless steel	Stainless steel	F-UCFM 207-106/LP03	F-UCFM 207-107/LP03
NSK	Composite	Stainless steel	–	PSFT1.7/16CR
SEALMASTER	Composite	Phosphorous Nickel-coated	–	CRFTC-PN23
	Composite	Stainless steel [CR-XTREME]	–	CRXFTC-23
	Composite	Zinc dichromate coated bearing	–	CF2S-Z223 NGF
	Composite	Stainless steel [CRES CS]	–	CF2S-S223
	Stainless steel	Stainless steel [CR-XTREME]	–	CRXFTS-23
	Stainless steel	Black-oxide	–	SFT-23C CR
	Stainless steel	Phosphorous Nickel-coated	–	CRFTS-PN23
FYH	Composite	Stainless steel	UCVFL207-22S6	UCVFL207-23S6
	Composite	Plated bearing	UCVFL207-22ES7	UCVFL207-23ES7
	Stainless steel	Stainless steel	UCSFL207-22H1S6	UCSFL207-23H1S6
DODGE	Composite	Stainless steel	F2B-SCEZ-106-PCR	F2B-SCEZ-107-PCR
	Composite			
	Stainless steel	Stainless steel	F2B-SCEZ-106-SHCR	F2B-SCEZ-107-SHCR

**OVAL FLANGED**

	Housing	Insert bearing	Shaft diameter, in.		
			1 3/16	1 1/4	1 1/4
<b>SKF</b>	Composite	Zinc-coated	FYTWK 1.3/16 YTA	FYTWK 1.1/4 AYTA	FYTWK 1.1/4 YTA
	Composite	Stainless steel	FYTWK 1.3/16 YTH	FYTWK 1.1/4 AYTH	FYTWK 1.1/4 YTH
	Grey cast iron zinc coated	Zinc-coated	FYTWZ 1.3/16 YTA	FYTWZ 1.1/4 AYTA	FYTWZ 1.1/4 YTA
	Stainless steel	Stainless steel	FYTWR 1.3/16 YTHR	FYTWR 1.1/4 AYTHR	FYTWR 1.1/4 YTHR
<b>NTN</b>	Composite	Stainless steel	F-UCFLR 206-103/LP03	F-UCFLR 206-104/LP03	F-UCFLR 207-104/LP03
	Stainless steel	Stainless steel	F-UCFM 206-103/LP03	F-UCFM 206-104/LP03	F-UCFM 207-104/LP03
<b>NSK</b>	Composite	Stainless steel	PSFT1.3/16CR	PSFT1.1/4RCR	PSFT1.1/4CR
<b>SEALMASTER</b>	Composite	Phosphorous Nickel-coated	CRFTC-PN19	CRFTC-PN20 R	CRFTC-PN20
	Composite	Stainless steel [CR-XTREME]	CRXFTC-19	CRXFTC-20R	CRXFTC-20
	Composite	Zinc dichromate coated bearing	CF2S-Z219 NGF	CF2S-Z220S NGF	CF2S-Z220 NGF
	Composite	Stainless steel [CRES CS]	CF2S-S219	CF2S-S220S	CF2S-S220
	Stainless steel	Stainless steel [CR-XTREME]	CRXFTS-19	CRXFTS-20R	CRXFTS-20
	Stainless steel	Black-oxide	SFT-19C CR	SFT-20RC CR	SFT-20C CR
	Stainless steel	Phosphorous Nickel-coated	CRFTS-PN19	CRFTS-PN20 R	CRFTS-PN20
Stainless steel	Stainless steel [CRES SS]	SF2S-S219	SF2S-S220S	SF2S-S220	
<b>FYH</b>	Composite	Stainless steel	UCVFL206-19S6	UCVFL206-20S6	UCVFL207-20S6
	Composite	Plated bearing	UCVFL206-19ES7	UCVFL206-20ES7	UCVFL207-20ES7
	Stainless steel	Stainless steel	UCSFL206-19H1S6	UCSFL206-20H1S6	UCSFL207-20H1S6
<b>DODGE</b>	Composite	Stainless steel	F2B-SCEZ-103-PCR	F2B-SCEZ-104S-PCR	F2B-SCEZ-104-PCR
	Composite				
	Stainless steel	Stainless steel	F2B-SCEZ-103-SHCR	F2B-SCEZ-104S-SHCR	F2B-SCEZ-104-SHCR

**OVAL FLANGED**

	Housing	Insert bearing	Shaft diameter, in.	
			1 1/2	1 15/16
<b>SKF</b>	Composite	Zinc-coated	FYTWK 1.1/2 LTA	FYTWK 1.15/16 LTA
	Composite	Stainless steel	FYTWK 1.1/2 LTHR	FYTWK 1.15/16 LTHR
	Grey cast iron zinc coated	Zinc-coated	FYTWZ 1.1/2 YTA	FYTWZ 1.15/16 YTA
	Stainless steel	Stainless steel	FYTWR 1.1/2 YTHR	-
<b>NTN</b>	Composite	Stainless steel	F-UCFLR 208-108/LP03	-
	Stainless steel	Stainless steel	F-UCFM 208-108/LP03	F-UCFM 210-115/LP03
<b>NSK</b>	Composite	Stainless steel	PSFT1.1/2CR	-
<b>SEALMASTER</b>	Composite	Phosphorous Nickel-coated	CRFTC-PN24	-
	Composite	Stainless steel [CR-XTREME]	CRXFTC-24	-
	Composite	Zinc dichromate coated bearing	CF2S-Z224 NGF	-
	Composite	Stainless steel [CRES CS]	CF2S-S224	-
	Stainless steel	Stainless steel [CR-XTREME]	CRXFTS-24	-
	Stainless steel	Black-oxide	SFT-24C CR	SFT-31C CR
	Stainless steel	Phosphorous Nickel-coated	CRFTS-PN24	CRFTS-PN31
Stainless steel	Stainless steel [CRES SS]	SF2S-S224	-	
<b>FYH</b>	Composite	Stainless steel	UCVFL208-24S6	-
	Composite	Plated bearing	UCVFL208-24ES7	-
	Stainless steel	Stainless steel	UCSFL208-24H1S6	UCSFL210-31H1S6
<b>DODGE</b>	Composite	Stainless steel	F2B-SCEZ-108-PCR	F2B-SCEZ-115-PCR
	Composite			
Stainless steel	Stainless steel	F2B-SCEZ-108-SHCR	F2B-SCEZ-115-SHCR	

**SKF Food Line equivalent list – metric shafts**

20–50 mm

**SHORT BASE PLUMMER BLOCK**

	Housing	Insert bearing	Shaft diameter, mm		
			20	25	30
<b>SKF</b>	Composite	Zinc-coated	<b>SYFWK 20 LTA</b>	<b>SYFWK 25 LTA</b>	<b>SYFWK 30 LTA</b>
	Composite	Stainlees steel	<b>SYFWK 20 LTHR</b>	<b>SYFWK 25 LTHR</b>	<b>SYFWK 30 LTHR</b>
	Grey cast iron zinc coated	Zinc-coated	<b>SYFWZ 20 TA</b>	<b>SYFWZ 25 TA</b>	<b>SYFWZ 30 TA</b>
	Stainlees steel	Stainlees steel	<b>SYFWR 20 YTHR</b>	<b>SYFWR 25 YTHR</b>	<b>SYFWR 30 YTHR</b>
<b>INA</b>	Composite	Zinc-coated	<b>RSHEY20-TV-VA</b>	<b>RSHEY25-TV-VA</b>	<b>RSHEY30-TV-VA</b>
<b>ASHAI</b>	Stainlees steel	Stainlees steel	<b>MUCPA 204</b>	<b>MUCPA 205</b>	<b>MUCPA 206</b>
<b>FYH</b>	Stainlees steel	Stainlees steel	<b>UCSPA204H1S6</b>	<b>UCSPA205H1S6</b>	<b>UCSPA206H1S6</b>
<b>DODGE</b>	Composite	Stainlees steel	<b>TB-SCEZ-20M-PCR</b>	<b>TB-SCEZ-25M-PCR</b>	<b>TB-SCEZ-30M-PCR</b>

**SHORT BASE PLUMMER BLOCK**

	Housing	Insert bearing	Shaft diameter, mm		
			35	40	50
<b>SKF</b>	Composite	Zinc-coated	<b>SYFWK 35 LTA</b>	<b>SYFWK 40 LTA</b>	<b>SYFWK 50 LTA</b>
	Composite	Stainless steel	<b>SYFWK 35 LTHR</b>	<b>SYFWK 40 LTHR</b>	<b>SYFWK 50 LTHR</b>
	Grey cast iron zinc coated	Zinc-coated	<b>SYFWZ 35 TA</b>	<b>SYFWZ 40 TA</b>	<b>SYFWZ 50 TA</b>
	Stainless steel	Stainless steel	<b>SYFWR 35 YTHR</b>	<b>SYFWR 40 YTHR</b>	–
<b>INA</b>	Composite	Zinc-coated	<b>RSHEY35-TV-VA</b>	<b>RSHEY40-TV-VA</b>	<b>RSHEY50-TV-VA</b>
<b>ASHAI</b>	Stainless steel	Stainless steel	<b>MUCPA 207</b>	<b>MUCPA 208</b>	<b>MUCPA 210</b>
<b>FYH</b>	Stainless steel	Stainless steel	<b>UCSPA207H1S6</b>	<b>UCSPA208H1S6</b>	–
<b>DODGE</b>	Composite	Stainless steel	<b>TB-SCEZ-35M-PCR</b>	<b>TB-SCEZ-40M-PCR</b>	<b>TB-SCEZ-50M-PCR</b>

D

**SKF Food Line equivalent list – inch shafts**
 $3/4-1\ 1/4$  in.

**SHORT BASE PLUMMER BLOCK**

Housing		Insert bearing	Shaft diameter, in.		
			$3/4$	$15/16$	1.
<b>SKF</b>	Composite	Zinc-coated	SYFWK 3/4 LTA	SYFWK 15/16 LTA	SYFWK 1. LTA
	Composite	Stainless steel	SYFWK 3/4 LTHR	–	SYFWK 1. LTHR
	Grey cast iron zinc coated	Zinc-coated	SYFWZ 3/4 TA	SYFWZ 15/16 TA	SYFWZ 1. TA
	Stainless steel	Stainless steel	SYFWR 3/4 ZYTHR	–	SYFWR 1. ZYTHR
<b>SEALMASTER</b>	Composite	Phosphorous Nickel-coated	CRTBC-PN12	–	CRTBC-PN16
	Composite	Stainless steel [CR-XTREME]	–	–	CRXTBC-16
	Composite	Zinc dichromate coated bearing	CTBS-Z212 NGF	–	CTBS-Z216 NGF
	Composite	Stainless steel [CRES CS]	CTBS-S212	–	CTBS-S216
	Stainless steel	Stainless steel [CRES SS]	STBS-S212	–	STBS-S216
<b>FYH</b>	Stainless steel	Stainless steel	UCSPA204-12H1S6	UCSPA205-15-H1S6	UCSPA205-16-H1S6
<b>DODGE</b>	Composite	Stainless steel	TB-SCEZ-012-PCR	TB-SCEZ-015-PCR	TB-SCEZ-100-PCR

**SKF Food Line equivalent list – inch shafts**
 $1\ 3/8-1\ 15/16$  in.

**SHORT BASE PLUMMER BLOCK**

Housing		Insert bearing	Shaft diameter, in.	
			$1\ 3/8$	$1\ 7/16$
<b>SKF</b>	Composite	Zinc-coated	SYFWK 1.3/8 LTA	SYFWK 1. 7/16 LTA
	Composite	Stainless steel	SYFWK 1.3/8 LTHR	SYFWK 1. 7/16 LTHR
	Grey cast iron zinc coated	Zinc-coated	SYFWZ 1.3/8 TA	SYFWZ 1. 7/16 TA
	Stainless steel	Stainless steel	SYFWR 1.3/8 ZYTHR	SYFWR 1. 7/16 ZYTHR
<b>SEALMASTER</b>	Composite	Phosphorous Nickel-coated	–	CRTBC-PN23
	Composite	Stainless steel [CR-XTREME]	–	CRXTBC-23
	Composite	Zinc dichromate coated bearing	–	CTBS-Z223 NGF
	Composite	Stainless steel [CRES CS]	–	CTBS-S223
	Stainless steel	Stainless steel [CRES SS]	–	STBS-S223
<b>FYH</b>	Stainless steel	Stainless steel	UCSPA207-22H1S6	UCSPA207-23H1S6
<b>DODGE</b>	Composite	Stainless steel	TB-SCEZ-106-PCR	TB-SCEZ-107-PCR

**SHORT BASE PLUMMER BLOCK**

	Housing	Insert bearing	Shaft diameter, in.		
			1 3/16	1 1/4	1 1/4
<b>SKF</b>	Composite	Zinc-coated	SYFWK 1.3/16 LTA	SYFWK 1.1/4 ALTA	SYFWK 1.1/4 LTA
	Composite	Stainless steel	SYFWK 1.3/16 LTHR	SYFWK 1.1/4 ALTHR	SYFWK 1.1/4 LTHR
	Grey cast iron zinc coated	Zinc-coated	SYFWZ 1.3/16 TA	SYFWZ 1.1/4 ATA	SYFWZ 1.1/4 TA
	Stainless steel	Stainless steel	SYFWR 1.3/16 ZYTHR	SYFWR 1.1/4 AZYTHR	SYFWR 1.1/4 ZYTHR
<b>SEALMASTER</b>	Composite	Phosphorous Nickel-coated	CRTBC-PN19	CRTBC-PN20 R	CRTBC-PN20
	Composite	Stainless steel [CR-XTREME]	CRXTBC-19	CRXTBC-20R	CRXTBC-20
	Composite	Zinc dichromate coated bearing	CTBS-Z219 NGF	CTBS-Z220S NGF	CTBS-Z220 NGF
	Composite	Stainless steel [CRES CS]	CTBS-S219	CTBS-S220S	CTBS-S220
	Stainless steel	Stainless steel [CRES SS]	STBS-S219	STBS-S220S	STBS-S220
<b>FYH</b>	Stainless steel	Stainless steel	UCSPA206-19H1S6	UCSPA206-20H1S6	UCSPA207-20H1S6
<b>DODGE</b>	Composite	Stainless steel	TB-SCEZ-103-PCR	TB-SCEZ-104S-PCR	TB-SCEZ-104-PCR

**SHORT BASE PLUMMER BLOCK**

	Housing	Insert bearing	Shaft diameter, in.	
			1 1/2	1 15/16
<b>SKF</b>	Composite	Zinc-coated	SYFWK 1.1/2 LTA	SYFWK 1.15/16 LTA
	Composite	Stainless steel	SYFWK 1.1/2 LTHR	SYFWK 1.15/16 LTHR
	Grey cast iron zinc coated	Zinc-coated	SYFWZ 1.1/2 TA	SYFWZ 1.15/16 TA
	Stainless steel	Stainless steel	SYFWR 1.1/2 ZYTHR	-
<b>SEALMASTER</b>	Composite	Phosphorous Nickel-coated	CRTBC-PN24	-
	Composite	Stainless steel [CR-XTREME]	CRXTBC-24	-
	Composite	Zinc dichromate coated bearing	CTBS-Z224 NGF	-
	Composite	Stainless steel [CRES CS]	CTBS-S224	-
	Stainless steel	Stainless steel [CRES SS]	STBS-S224	-
<b>FYH</b>	Stainless steel	Stainless steel	UCSPA208-24H1S6	-
<b>DODGE</b>	Composite	Stainless steel	-	-



**SKF Food Line equivalent list – metric shafts**

20–50 mm

**3-BOLT FLANGE**

	Housing	Insert bearing	Shaft diameter, mm		
			20	25	30
<b>SKF</b>	Composite	Zinc-coated	<b>FYAWK 20 LTA</b>	<b>FYAWK 25 LTA</b>	<b>FYAWK 30 LTA</b>
	Composite	Stainless steel	<b>FYAWK 20 LTHR</b>	<b>FYAWK 25 LTHR</b>	<b>FYAWK 30 LTHR</b>
	Grey cast iron zinc coated	Zinc-coated	–	–	–
	Stainless steel	Stainless steel	–	–	–
<b>DODGE</b>	Composite	Stainless steel	<b>FB-SCEZ-20M-PCR</b>	<b>FB-SCEZ-25M-PCR</b>	<b>FB-SCEZ-30M-PCR</b>

**SKF Food Line equivalent list – inch shafts**

3/4–1 1/4 in.

**3-BOLT FLANGE**

	Housing	Insert bearing	Shaft diameter, in.		
			3/4	15/16	1.
<b>SKF</b>	Composite	Zinc-coated	<b>FYAWK 3/4 LTA</b>	<b>FYAWK 15/16 LTA</b>	<b>FYAWK 1. LTA</b>
	Composite	Stainless steel	<b>FYAWK 3/4 LTHR</b>	–	<b>FYAWK 1. LTHR</b>
	Grey cast iron zinc coated	Zinc-coated	–	–	–
	Stainless steel	Stainless steel	–	–	–
<b>SEALMASTER</b>	Stainless steel	Stainless steel [CR-XTREME]	–	–	<b>CRXFBS-16</b>
	Stainless steel	Black-oxide	<b>FB-12C CR</b>	–	<b>FB-16C CR</b>
	Stainless steel	Phosphorous Nickel-coated	<b>CRFBS-PN12</b>	–	<b>CRFBS-PN16</b>
<b>DODGE</b>	Composite	Stainless steel	<b>FB-SCEZ-012-PCR</b>	<b>FB-SCEZ-015-PCR</b>	<b>FB-SCEZ-100-PCR</b>

**SKF Food Line equivalent list – inch shafts**

1 3/8–1 15/16 in.

**3-BOLT FLANGE**

	Housing	Insert bearing	Shaft diameter, in.	
			1 3/8	1 7/16
<b>SKF</b>	Composite	Zinc-coated	<b>FYAWK 1.3/8 LTA</b>	<b>FYAWK 1.7/16 LTA</b>
	Composite	Stainless steel	<b>FYAWK 1.3/8 LTHR</b>	<b>FYAWK 1.7/16 LTHR</b>
	Grey cast iron zinc coated	Zinc-coated	–	–
	Stainless steel	Stainless steel	–	–
<b>SEALMASTER</b>	Stainless steel	Stainless steel [CR-XTREME]	–	<b>CRXFBS-23</b>
	Stainless steel	Black-oxide	–	<b>FB-23C CR</b>
	Stainless steel	Phosphorous Nickel-coated	–	<b>CRFBS-PN23</b>
<b>DODGE</b>	Composite	Stainless steel	<b>FB-SCEZ-106-PCR</b>	<b>FB-SCEZ-107-PCR</b>

### 3-BOLT FLANGE

	Housing	Insert bearing	Shaft diameter, mm		
			35	40	50
<b>SKF</b>	Composite	Zinc-coated	<b>FYAWK 35 LTA</b>	<b>FYAWK 40 LTA</b>	<b>FYAWK 50 LTA</b>
	Composite	Stainless steel	<b>FYAWK 35 LTHR</b>	<b>FYAWK 40 LTHR</b>	<b>FYAWK 50 LTHR</b>
	Grey cast iron zinc coated	Zinc-coated	-	-	-
	Stainless steel	Stainless steel	-	-	-
<b>DODGE</b>	Composite	Stainless steel	<b>FB-SCEZ-35M-PCR</b>	-	-

### 3-BOLT FLANGE

	Housing	Insert bearing	Shaft diameter, in.		
			1 3/16	1 1/4	1 1/4
<b>SKF</b>	Composite	Zinc-coated	<b>FYAWK 1.3/16 LTA</b>	<b>FYAWK 1.1/4 ALTA</b>	<b>FYAWK 1.1/4 LTA</b>
	Composite	Stainless steel	<b>FYAWK 1.3/16 LTHR</b>	<b>FYAWK 1.1/4 ALTHR</b>	<b>FYAWK 1.1/4 LTHR</b>
	Grey cast iron zinc coated	Zinc-coated	-	-	-
	Stainless steel	Stainless steel	-	-	-
<b>SEALMASTER</b>	Stainless steel	Stainless steel [CR-XTREME]	<b>CRXFBS-19</b>	<b>CRXFBS-20 R</b>	<b>CRXFBS-20</b>
	Stainless steel	Black-oxide	<b>FB-19C CR</b>	<b>FB-20RC CR</b>	<b>FB-20C CR</b>
	Stainless steel	Phosphorous Nickel-coated	<b>CRFBS-PN19</b>	<b>CRFBS-PN20 R</b>	<b>CRFBS-PN20</b>
<b>DODGE</b>	Composite	Stainless steel	<b>FB-SCEZ-103-PCR</b>	<b>FB-SCEZ-104S-PCR</b>	<b>FB-SCEZ-104-PCR</b>

### 3-BOLT FLANGE

	Housing	Insert bearing	Shaft diameter, in.	
			1 1/2	1 15/16
<b>SKF</b>	Composite	Zinc-coated	<b>FYAWK 1.1/2 LTA</b>	<b>FYAWK 1.15/16 LTA</b>
	Composite	Stainless steel	<b>FYAWK 1.1/2 LTHR</b>	<b>FYAWK 1.15/16 LTHR</b>
	Grey cast iron zinc coated	Zinc-coated	-	-
	Stainless steel	Stainless steel	-	-
<b>SEALMASTER</b>	Stainless steel	Stainless steel [CR-XTREME]	-	-
	Stainless steel	Black-oxide	-	-
	Stainless steel	Phosphorous Nickel-coated	-	-
<b>DODGE</b>	Composite	Stainless steel	-	-



**SKF Food Line equivalent list – metric shafts**

20–50 mm

**TAKE-UP**

	Housing	Insert bearing	Shaft diameter, mm		
			20	25	30
SKF	Composite	Zinc-coated	TUWK 20 LTA	TUWK 25 LTA	TUWK 30 LTA
	Composite	Stainless steel	TUWK 20 LTHR	TUWK 25 LTHR	TUWK 30 LTHR
	Grey cast iron zinc coated	Zinc-coated	–	–	–
	Stainless steel	Stainless steel	–	–	–
INA	Composite	Zinc-coated	RTUEY20-TV-VA	RTUEY25-TV-VA	RTUEY30-TV-VA
NSK	Composite	Stainless steel	PST20CR	PST25CR	PST30CR
ASHAI	Stainless steel	Stainless steel	MUCT 204	MUCT 205	MUCT 206
FYH	Stainless steel	Stainless steel	UCST204H1S6	UCST205H1S6	UCST206H1S6
DODGE	Composite	Stainless steel	WSTU-SCEZ-20M-PCR	WSTU-SCEZ-25M-PCR	WSTU-SCEZ-30M-PCR

**SKF Food Line equivalent list – inch shafts**
 $\frac{3}{4}$ –1  $\frac{1}{4}$  in.

**TAKE-UP**

	Housing	Insert bearing	Shaft diameter, in.		
			$\frac{3}{4}$	$\frac{15}{16}$	1.
SKF	Composite	Zinc-coated	TUWK $\frac{3}{4}$ LTA	TUWK $\frac{15}{16}$ LTA	TUWK 1. LTA
	Composite	Stainless steel	TUWK $\frac{3}{4}$ LTHR	–	TUWK 1. LTHR
	Grey cast iron zinc coated	Zinc-coated	–	–	–
	Stainless steel	Stainless steel	–	–	–
NSK	Composite	Stainless steel	PST $\frac{3}{4}$ CR	–	PST1.CR
FYH	Stainless steel	Stainless steel	UCST204-12H1S6	UCST205-15-H1S6	UCST205-16-H1S6
DODGE	Composite	Stainless steel	WSTU-SCEZ-012-PCR	WSTU-SCEZ-015-PCR	WSTU-SCEZ-100-PCR

**SKF Food Line equivalent list – inch shafts**
 $1 \frac{3}{8}$ –1  $\frac{15}{16}$  in.

**TAKE-UP**

	Housing	Insert bearing	Shaft diameter, in.	
			$1 \frac{3}{8}$	$1 \frac{7}{16}$
SKF	Composite	Zinc-coated	TUWK 1.3/8 LTA	TUWK 1.7/16 LTA
	Composite	Stainless steel	TUWK 1.3/8 LTHR	TUWK 1.7/16 LTHR
	Grey cast iron zinc coated	Zinc-coated	–	–
	Stainless steel	Stainless steel	–	–
NSK	Composite	Stainless steel	–	PST1.7/16CR
FYH	Stainless steel	Stainless steel	UCST207-22H1S6	UCST207-23H1S6
DODGE	Composite	Stainless steel	WSTU-SCEZ-106-PCR	WSTU-SCEZ-107-PCR

## TAKE-UP

	Housing	Insert bearing	Shaft diameter, mm		
			35	40	50
SKF	Composite	Zinc-coated	TUWK 35 LTA	TUWK 40 LTA	TUWK 50 LTA
	Composite	Stainless steel	TUWK 35 LTHR	TUWK 40 LTHR	TUWK 50 LTHR
	Grey cast iron zinc coated	Zinc-coated	–	–	–
	Stainless steel	Stainless steel	–	–	–
INA	Composite	Zinc-coated	RTUEY35-TV-VA	RTUEY40-TV-VA	RTUEY50TV-VA
NSK	Composite	Stainless steel	PST35CR	PST40CR	–
ASHAI	Stainless steel	Stainless steel	MUCT 207	MUCT 208	MUCT 210
FYH	Stainless steel	Stainless steel	UCST207H1S6	UCST208H1S6	UCST210H1S6
DODGE	Composite	Stainless steel	WSTU-SCEZ-35M-PCR	–	–

## TAKE-UP

	Housing	Insert bearing	Shaft diameter, in.		
			1 3/16	1 1/4	1 1/4
SKF	Composite	Zinc-coated	TUWK 1.3/16 LTA	TUWK 1.1/4 ALTA	TUWK 1.1/4 LTA
	Composite	Stainless steel	TUWK 1.3/16 LTHR	TUWK 1.1/4 ALTHR	TUWK 1.1/4 LTHR
	Grey cast iron zinc coated	Zinc-coated	–	–	–
	Stainless steel	Stainless steel	–	–	–
NSK	Composite	Stainless steel	PST1.3/16CR	PST1.1/4RCR	PST1.1/4CR
FYH	Stainless steel	Stainless steel	UCST206-19H1S6	UCST206-20H1S6	UCST207-20H1S6
DODGE	Composite	Stainless steel	WSTU-SCEZ-103-PCR	WSTU-SCEZ-104S-PCR	WSTU-SCEZ-104-PCR

## TAKE-UP

	Housing	Insert bearing	Shaft diameter, in.	
			1 1/2	1 15/16
SKF	Composite	Zinc-coated	TUWK 1.1/2 LTA	TUWK 1.15/16 LTA
	Composite	Stainless steel	TUWK 1.1/2 LTHR	TUWK 1.15/16 LTHR
	Grey cast iron zinc coated	Zinc-coated	–	–
	Stainless steel	Stainless steel	–	–
NSK	Composite	Stainless steel	PST1.1/2CR	–
FYH	Stainless steel	Stainless steel	UCST208-24H1S6	UCST210-31H1S6
DODGE	Composite	Stainless steel	–	–

# SKF – the knowledge engineering company

From the company that invented the self-aligning ball bearing more than 100 years ago, SKF has evolved into a knowledge engineering company that is able to draw on five technology platforms to create unique solutions for its customers. These platforms include bearings, bearing units and seals, of course, but extend to other areas including: lubricants and lubrication systems, critical for long bearing life in many applications; mechatronics that combine mechanical and electronics knowledge into systems for more effective linear motion and sensorized solutions; and a full range of services, from design and logistics support to condition monitoring and reliability systems.

Though the scope has broadened, SKF continues to maintain the world's leadership in the design, manufacture and marketing of rolling bearings, as well as complementary products such as radial seals. SKF also holds an increasingly important position in the market for linear motion products, high-precision aerospace bearings, machine tool spindles and plant maintenance services.

The SKF Group is globally certified to ISO 14001, the international standard for environmental management, as well as OHSAS 18001, the health and safety management standard. Individual divisions have been approved for quality certification in accordance with ISO 9001 and other customer specific requirements.

With over 120 manufacturing sites worldwide and sales companies in 70 countries, SKF is a truly international corporation. In addition, our distributors and dealers in some 15 000 locations around the world, an e-business marketplace and a global distribution system put SKF close to customers for the supply of both products and services. In essence, SKF solutions are available wherever and whenever customers need them. Overall, the SKF brand and the corporation are stronger than ever. As the knowledge engineering company, we stand ready to serve you with world-class product competencies, intellectual resources, and the vision to help you succeed.

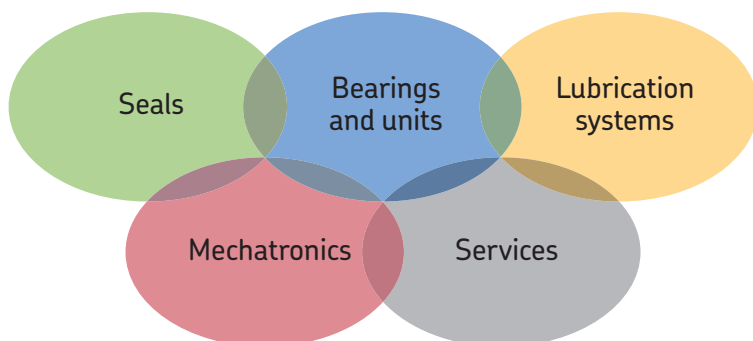


© Airbus – photo: e\*im company, H. Goussé

### ***Evolving by-wire technology***

*SKF has a unique expertise in the fast-growing by-wire technology, from fly-by-wire, to drive-by-wire, to work-by-wire. SKF pioneered practical fly-by-wire technology and is a close working partner with all aerospace industry leaders. As an example, virtually all aircraft of the Airbus design use SKF by-wire systems for cockpit flight control.*

*SKF is also a leader in automotive by-wire technology, and has partnered with automotive engineers to develop two concept cars, which employ SKF mechatronics for steering and braking. Further by-wire development has led SKF to produce an all-electric forklift truck, which uses mechatronics rather than hydraulics for all controls.*





#### **Harnessing wind power**

The growing industry of wind-generated electric power provides a source of clean, green electricity. SKF is working closely with global industry leaders to develop efficient and trouble-free turbines, providing a wide range of large, highly specialized bearings and condition monitoring systems to extend equipment life of wind farms located in even the most remote and inhospitable environments.



#### **Working in extreme environments**

In frigid winters, especially in northern countries, extreme sub-zero temperatures can cause bearings in railway axleboxes to seize due to lubrication starvation. SKF created a new family of synthetic lubricants formulated to retain their lubrication viscosity even at these extreme temperatures. SKF knowledge enables manufacturers and end user customers to overcome the performance issues resulting from extreme temperatures, whether hot or cold. For example, SKF products are at work in diverse environments such as baking ovens and instant freezing in food processing plants.



#### **Developing a cleaner cleaner**

The electric motor and its bearings are the heart of many household appliances. SKF works closely with appliance manufacturers to improve their products' performance, cut costs, reduce weight, and reduce energy consumption. A recent example of this cooperation is a new generation of vacuum cleaners with substantially more suction. SKF knowledge in the area of small bearing technology is also applied to manufacturers of power tools and office equipment.



#### **Maintaining a 350 km/h R&D lab**

In addition to SKF's renowned research and development facilities in Europe and the United States, Formula One car racing provides a unique environment for SKF to push the limits of bearing technology. For over 60 years, SKF products, engineering and knowledge have helped make Scuderia Ferrari a formidable force in F1 racing. (The average racing Ferrari utilizes around 150 SKF components.) Lessons learned here are applied to the products we provide to automakers and the aftermarket worldwide.



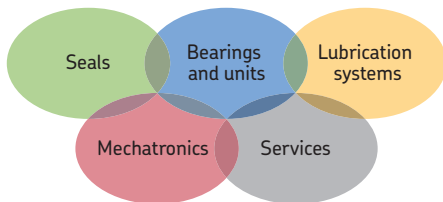
#### **Delivering Asset Efficiency Optimization**

Through SKF Reliability Systems, SKF provides a comprehensive range of asset efficiency products and services, from condition monitoring hardware and software to maintenance strategies, engineering assistance and machine reliability programmes. To optimize efficiency and boost productivity, some industrial facilities opt for an Integrated Maintenance Solution, in which SKF delivers all services under one fixed-fee, performance-based contract.



#### **Planning for sustainable growth**

By their very nature, bearings make a positive contribution to the natural environment, enabling machinery to operate more efficiently, consume less power, and require less lubrication. By raising the performance bar for our own products, SKF is enabling a new generation of high-efficiency products and equipment. With an eye to the future and the world we will leave to our children, the SKF Group policy on environment, health and safety, as well as the manufacturing techniques, are planned and implemented to help protect and preserve the earth's limited natural resources. We remain committed to sustainable, environmentally responsible growth.



### The Power of Knowledge Engineering

Drawing on five areas of competence and application-specific expertise amassed over more than 100 years, SKF brings innovative solutions to OEMs and production facilities in every major industry worldwide. These five competence areas include bearings and units, seals, lubrication systems, mechatronics (combining mechanics and electronics into intelligent systems), and a wide range of services, from 3-D computer modelling to advanced condition monitoring and reliability and asset management systems. A global presence provides SKF customers uniform quality standards and worldwide product availability.

© SKF is a registered trademark of the SKF Group.

© SKF Group 2012

The contents of this publication are the copyright of the publisher and may not be reproduced (even extracts) unless prior written permission is granted. Every care has been taken to ensure the accuracy of the information contained in this publication but no liability can be accepted for any loss or damage whether direct, indirect or consequential arising out of the use of the information contained herein.

PUB BU/P1 10844/2 EN · February 2012

Certain image(s) used under license from Shutterstock.com

