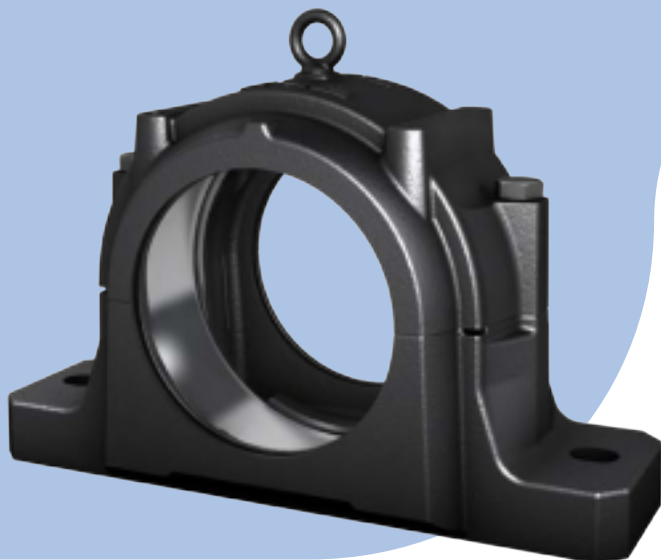


Why SKF?

SNLN bearing housings



SKF SNLN housings have a stiff and robust design and are accurately machined to protect and support the SKF bearings fitted in them. Combining minimal deflection under load with good lubricant retention and high resistance to the ingress of contaminants, these housings optimize the performance and extend the service life of the bearing. SNLN housings, which are designed for grease lubricated bearings in the 30 dimension series, are an extension of the small SNL housing series and provide the same features and benefits. SNLN bearing housings are available for shaft diameters ranging from 110 to 280 mm. The SKF SNLN housings supersede the SN housings.

Product features

- Stiff and robust design made of high grade grey cast iron with option for spheroidal graphite cast iron
- Housing designed for good heat dissipation
- Bearing housings designed for low sectional bearings in the 30 dimension series
- Drilled standard for grease lubrication, fittings supplied
- Grease guiding system delivers grease to the side of the bearing efficiently
- Identification marks on caps and bases help to prevent mismatches during assembly
- Marks on the base indicate the centre of the housing bore for accurate alignment and simplified mounting
- Cast dimples indicate locations for condition monitoring on most appropriate positions and dowel pins when required
- Machined to tight tolerances
- Wide range of different seal types available
- Housing optimized for SKF bearings

User benefits

- Optimize the performance and extend the service life of the bearing
- Low maintenance costs
- Virtually no distortion of base and bearing seat as long as load and mounting surface are within specification
- Good heat dissipation reduces operating temperatures
- SNLN downsizing alternative to SNL housings, adapted for low sectional height bearings in the 30 dimension series
- Easy and more efficient relubrication
- Reduced risk of mixing caps and bases during mounting
- Simplified mounting and alignment of housing
- Easy and quick to attach or position condition monitoring equipment. Easy location of where to drill dowel pin holes if required
- Seal type available for virtually any application
- Possible to purchase all items from one supplier

Common applications

- Conveyors
- Elevators
- Industrial fans
- Marine propulsion systems, like Z-drive shafts



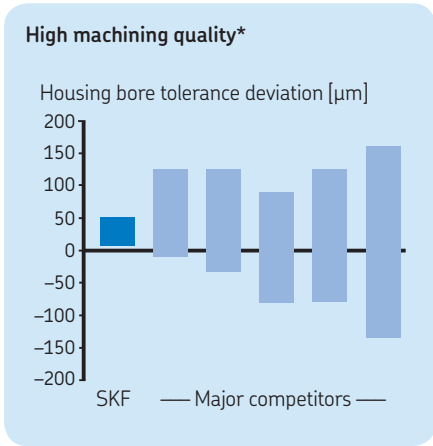
Industry leading performance

High machining quality

Tight manufacturing housing bore tolerances reduce operating temperatures to extend the service life of the bearing and lubricant.

High strength material

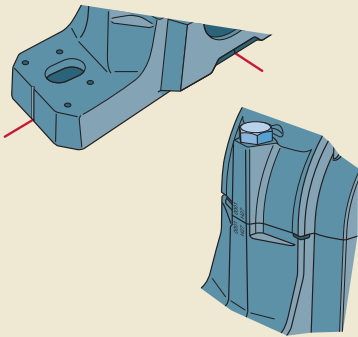
High grade cast iron accommodates heavy loads. Spheroidal graphite cast iron housings are an option for applications where there are shock loads.



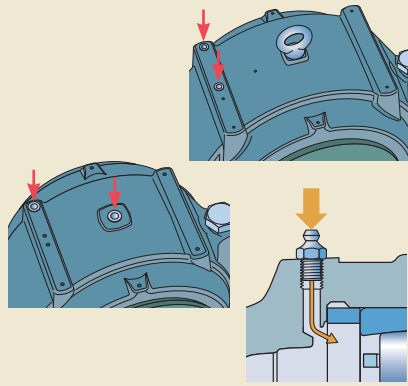
* Competitor comparisons are based on measurements taken in SKF laboratories.

Housing design for easier installation and maintenance

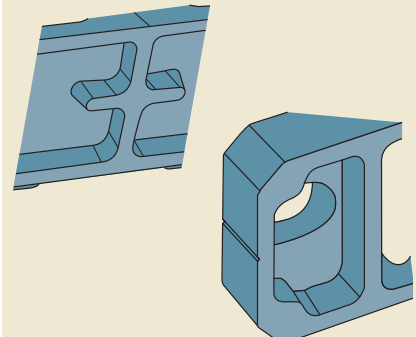
Easy and reliable installation



Efficient grease distribution

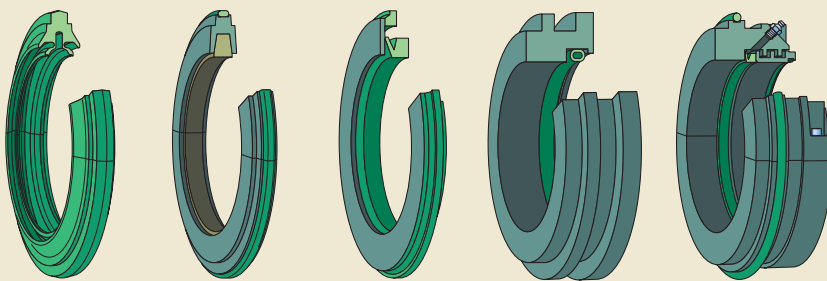


Design of the base promotes heat dissipation



A wide range of seals

Seals for sizes 3024 to 3032



Four-lip seal

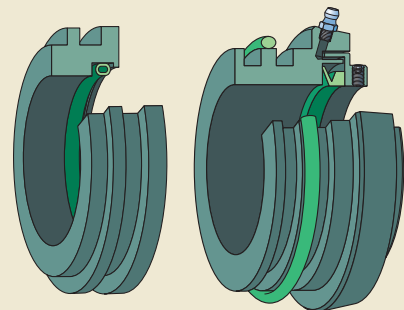
Felt ring seal

V-ring seal

Labyrinth seal

Taconite seal

Seals for sizes 3034 to 3056



Labyrinth seal

Taconite seal

© SKF is a registered trademark of the SKF Group.

© SKF Group 2014

The contents of this publication are the copyright of the publisher and may not be reproduced (even extracts) unless prior written permission is granted. Every care has been taken to ensure the accuracy of the information contained in this publication but no liability can be accepted for any loss or damage whether direct, indirect or consequential arising out of the use of the information contained herein.

PUB BU/S7 14425 EN · May 2014