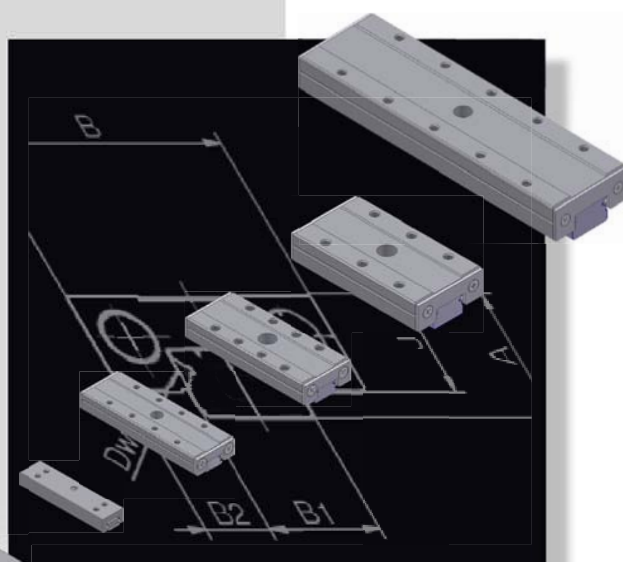


**SCHNEEBERGER**  
LINEAR TECHNOLOGY



## MINISLIDE

**precise and robust  
within the smallest envelope**



## MINISLIDE - At a Glance

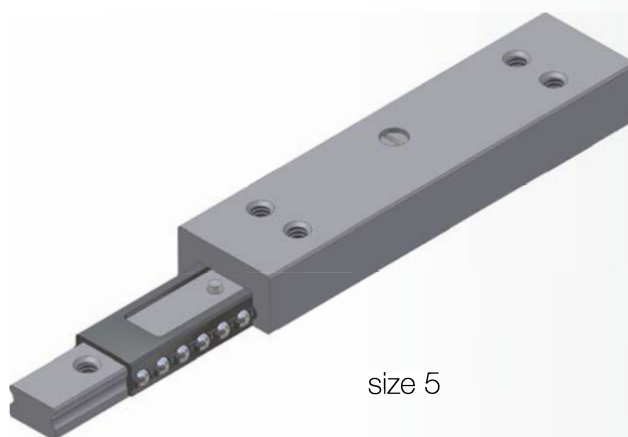
- » miniature guideway with gothic arch profiled ball track
- » 6 sizes: 4, 5, 7, 9, 12, 15 mm
- » lengths from 10 up to 130 mm
- » strokes from 6 up to 103 mm



- » cage centring mechanism for sizes 4 and 5:

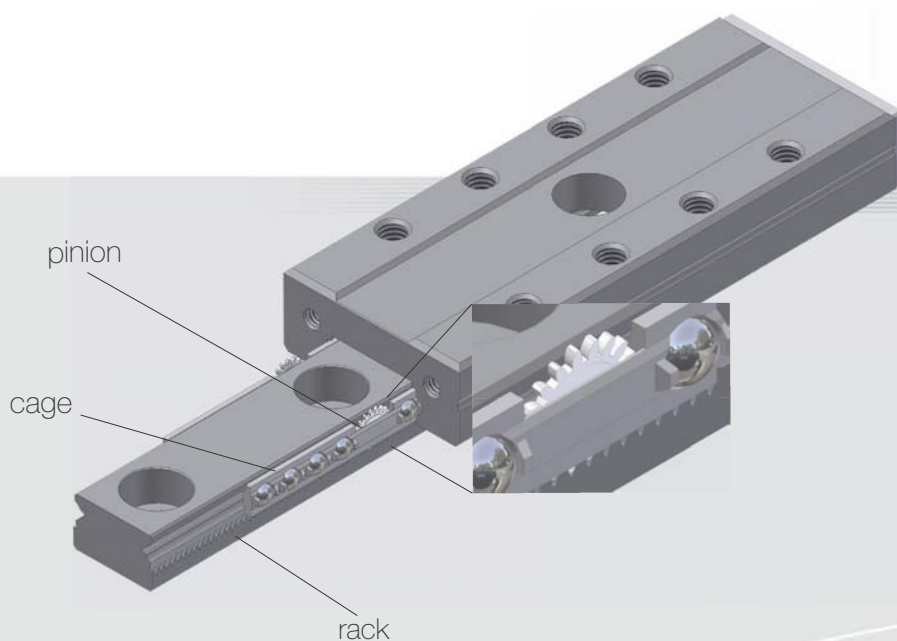


size 4



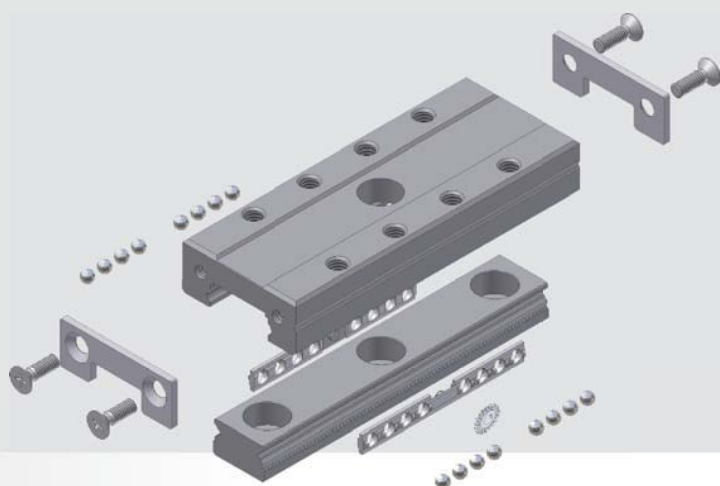
size 5

- » anti cage creep solution for sizes 7, 9, 12 and 15:



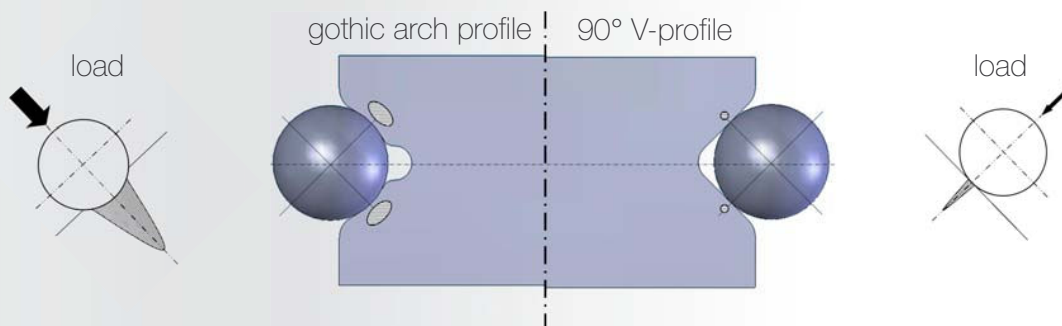
## MINISLIDE - Benefits

- » precise and robust
- » for high speed and acceleration
- » high travel accuracy
- » high stiffness
- » corrosion resistant materials
- » no pulsation
- » small sensibility towards shocks
- » cage material: PEEK  
(Polyetheretherketones)



## MINISLIDE - Advantages of Gothic Arch Profile vs. 90° V-Profile

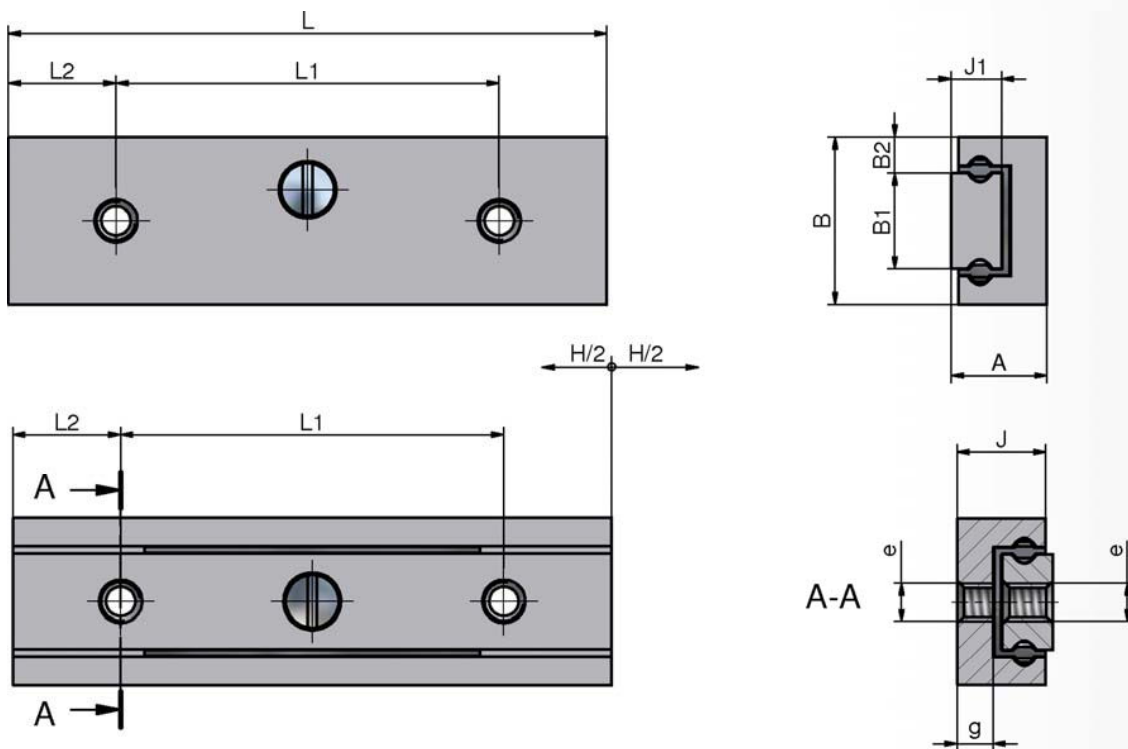
- » less sensitive to shocks
- » higher load capacity
- » higher rigidity
- » better process control in manufacturing
- » better damping behaviour against vibrations



## MINISLIDE - Application Fields

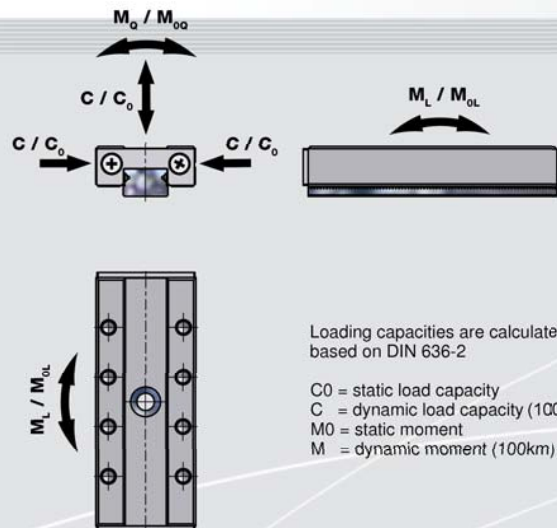
- » medical equipment
- » life science laboratory equipment
- » semiconductor equipment
- » optical industry
- » metrology
- » micro mechanics

**MINISLIDE - Dimensions MS Size 4**



Type	Dimensions [mm]											
	A	B	B <sub>1</sub>	B <sub>2</sub>	J	J <sub>1</sub>	H	L	L <sub>1</sub>	L <sub>2</sub>	e	g
MS 4-10.6							6	10	1x5	2.5		
MS 4-15.12	4	7	4	1.5	3.7	2.1	12	15	1x8	3.5	M1.6	1.5
MS 4-20.15							15	20	1x12	4		
MS 4-25.22							22	25	1x16	4.5		

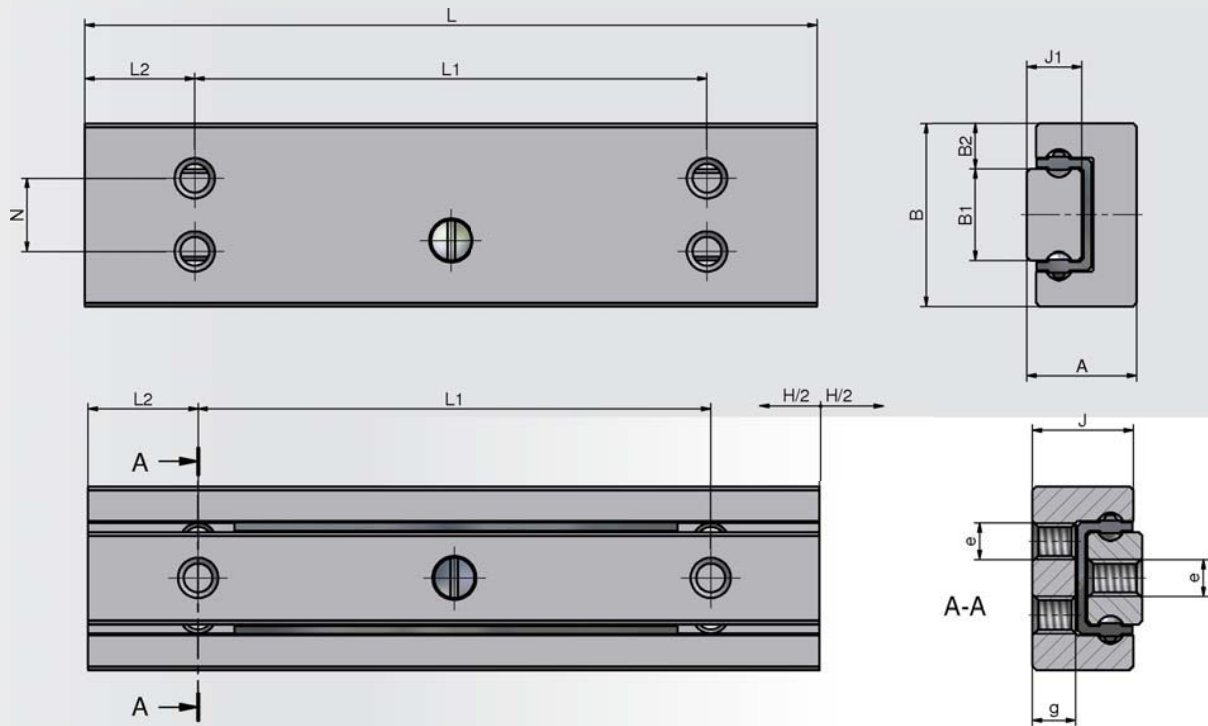
Type	Loading Capacities & Moments					
	C [N]	C <sub>0</sub> [N]	M <sub>Q</sub> [Nm]	M <sub>0Q</sub> [Nm]	M <sub>L</sub> [Nm]	M <sub>0L</sub> [Nm]
MS 4-10.6	207	277	0.45	0.60	0.30	0.40
MS 4-15.12	242	347	0.52	0.75	0.42	0.61
MS 4-20.15	307	485	0.66	1.04	0.72	1.13
MS 4-25.22	337	555	0.72	1.19	0.88	1.46



Loading capacities are calculated values, based on DIN 636-2

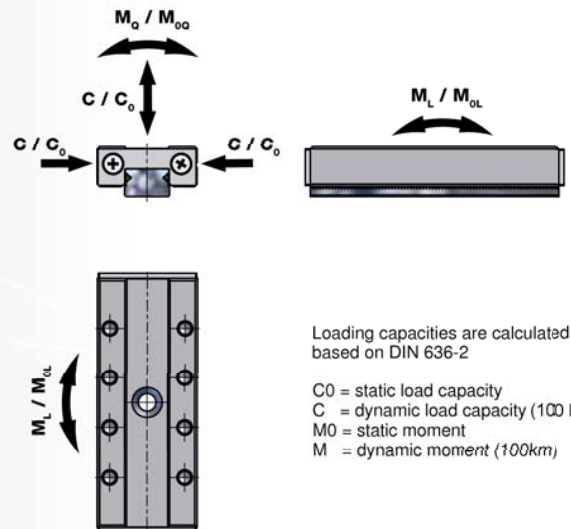
C<sub>0</sub> = static load capacity  
 C = dynamic load capacity (100 km)  
 M<sub>0</sub> = static moment  
 M = dynamic moment (100km)

**MINISLIDE - Dimensions MS Size 5**



Type	Dimensions [mm]												
	A	B	B <sub>1</sub>	B <sub>2</sub>	J	J <sub>1</sub>	H	L	L <sub>1</sub>	L <sub>2</sub>	N	e	g
MS 5-15.8							8	15	1x8	3.5			
MS 5-20.13							13	20	1x12	4			
MS 5-30.20	6	10	5	2.5	5.5	3	20	30	1x20	5	4	M2	2.35
MS 5-40.31							31	40	1x28	6			
MS 5-50.42							42	50	1x36	7			

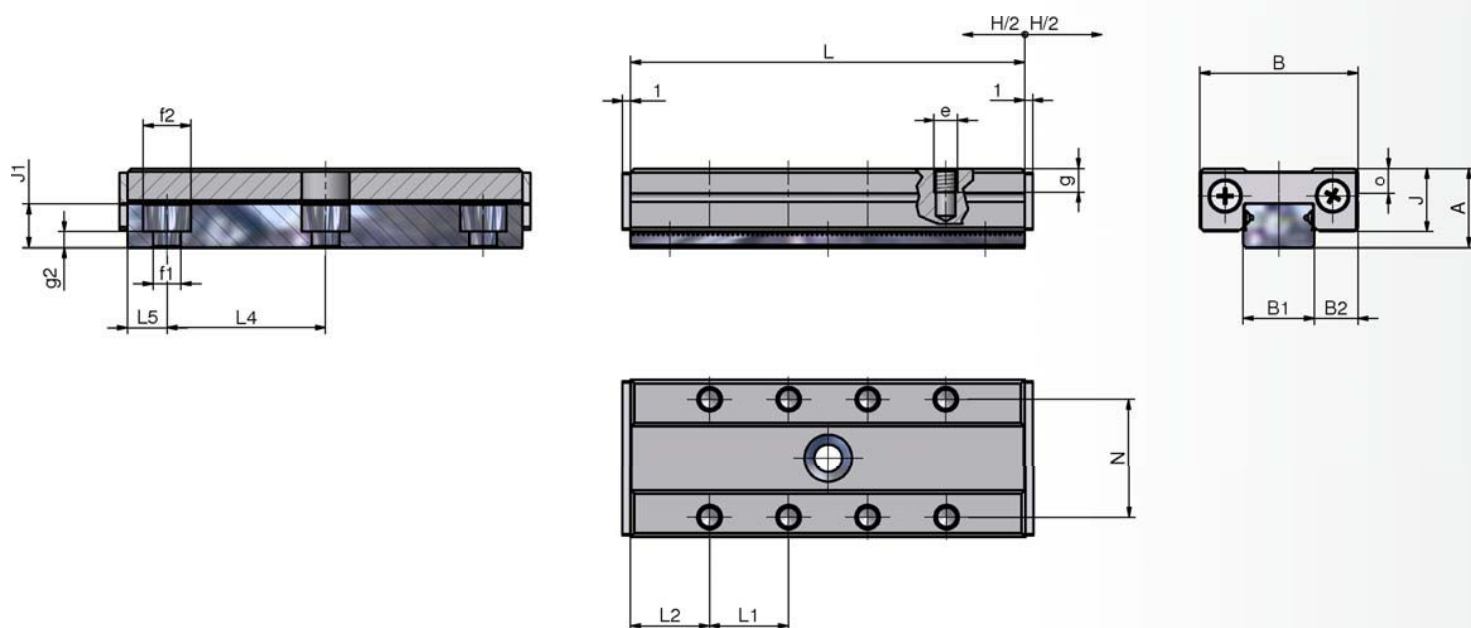
Type	Loading Capacities & Moments					
	C [N]	C <sub>0</sub> [N]	M <sub>0</sub> [Nm]	M <sub>0Q</sub> [Nm]	M <sub>L</sub> [Nm]	M <sub>0L</sub> [Nm]
MS 5-15.8	568	780	1.59	2.18	1.25	1.72
MS 5-20.13	645	936	1.81	2.62	1.66	2.40
MS 5-30.20	857	1404	2.40	3.93	3.14	5.15
MS 5-40.31	987	1716	2.76	4.80	4.34	7.55
MS 5-50.42	1109	2028	3.11	5.68	5.69	10.41



Loading capacities are calculated values, based on DIN 636-2

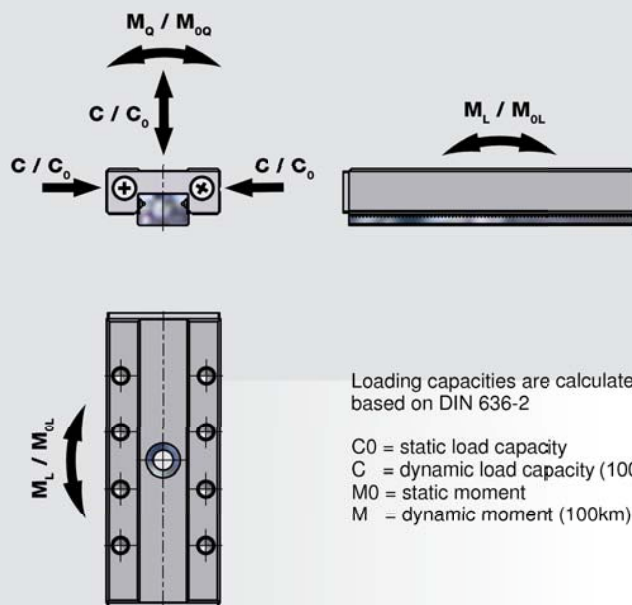
C<sub>0</sub> = static load capacity  
 C = dynamic load capacity (100 km)  
 M<sub>0</sub> = static moment  
 M = dynamic moment (100km)

**MINISLIDE - Dimensions MS Sizes 7-15**



Type	Dimensions [mm]																			
	A	B	B <sub>1</sub>	B <sub>2</sub>	J	J <sub>1</sub>	H	L	L <sub>1</sub>	L <sub>2</sub>	L <sub>4</sub>	L <sub>5</sub>	N	e	f <sub>1</sub>	f <sub>2</sub>	g	g <sub>2</sub>	o	
MS 7-30.25							25	30	1x10		1x15	7.5								
MS 7-40.32							32	40	2x10		2x15	5								
MS 7-50.39	8	17	7	5	6.5	4.5	39	50	3x10	10	2x15	10	12	M2	2.4	4.2	3	2.2	2.5	
MS 7-60.50							50	60	4x10		3x15	7.5								
MS 7-70.61							61	70	5x10		4x15	5								
MS 9-40.34							34	40	2x10		1x20	10								
MS 9-50.42							42	50	3x10		2x20	5								
MS 9-60.50	10	20	9	5.5	8	5.5	50	60	4x10	10	2x20	10	15	M3	3.5	6	3	2	3.1	
MS 9-70.58							58	70	5x10		3x20	5								
MS 9-80.66							66	80	6x10		3x20	10								
MS 12-50.47							47	50	2x15	10	1x25	12.5								
MS 12-60.53	13	27	12	7.5	10	7.5	53	60	3x15	7.5	2x25	5	20	M3	3.5	6	3.5	3	3.9	
MS 12-80.65							65	80	4x15	10	2x25	15								
MS 12-100.77							77	100	5x15	12.5	3x25	12.5								
MS 15-70.63							63	70	2x20		1x40	15								
MS 15-90.71	16	32	15	8.5	12	9.5	71	90	3x20	15	2x40	5	25	M3	3.5	6	4	5	4.9	
MS 15-110.95							95	110	4x20		2x40	15								
MS 15-130.103							103	130	5x20		3x40	5								

## MINISLIDE - Loading Capacities & Moments

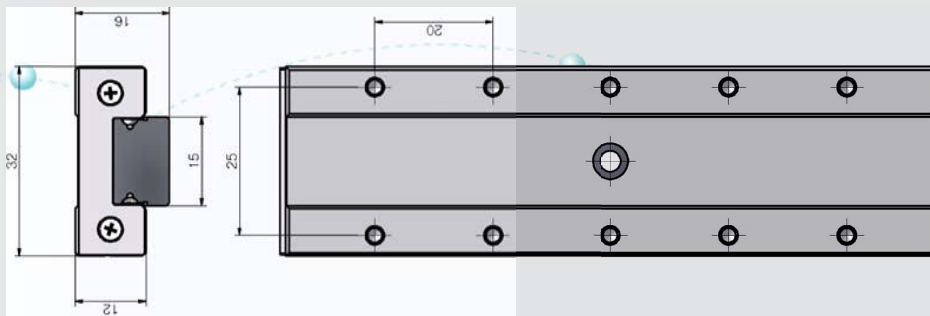


Loading capacities are calculated values, based on DIN 636-2

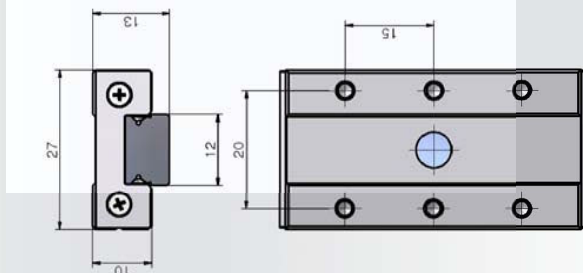
$C_0$  = static load capacity  
 $C$  = dynamic load capacity (100 km)  
 $M_0$  = static moment  
 $M$  = dynamic moment (100km)

Type	Loading Capacities & Moments					
	$C$ [N]	$C_0$ [N]	$M_Q$ [Nm]	$M_{0Q}$ [Nm]	$M_L$ [Nm]	$M_{0L}$ [Nm]
MS 7-30.25	645	936	2.3	3.4	2.6	3.8
MS 7-40.32	857	1404	3.1	5.1	4.4	7.2
MS 7-50.39	1049	1872	3.8	6.7	5.8	11.6
MS 7-60.50	1168	2184	4.2	7.9	8.0	15.0
MS 7-70.61	1282	2496	4.6	9.0	9.8	19.0
MS 9-40.34	1181	1664	5.5	7.7	6.2	8.7
MS 9-50.42	1444	2219	6.7	10.3	8.9	13.7
MS 9-60.50	1689	2774	7.9	12.9	12.1	19.8
MS 9-70.58	1918	3328	8.9	15.5	15.6	27.0
MS 9-80.66	2137	3883	9.9	18.1	19.4	35.3
MS 12-50.47	1887	2600	11.5	15.9	11.6	16.0
MS 12-60.53	2308	3467	14.1	21.1	16.7	25.1
MS 12-80.65	3065	5200	18.7	31.7	29.1	49.3
MS 12-100.77	3749	6934	22.9	42.3	44.2	81.7
MS 15-70.63	3384	4992	25.7	37.9	27.8	41.0
MS 15-90.71	4495	7489	34.2	56.9	48.5	80.8
MS 15-110.95	5007	8737	38.1	66.4	60.6	105.7
MS 15-130.103	5970	11233	45.4	85.4	87.9	165.4

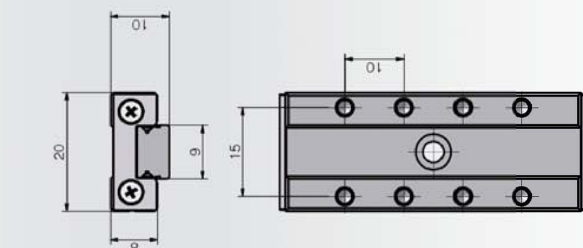
MS 15



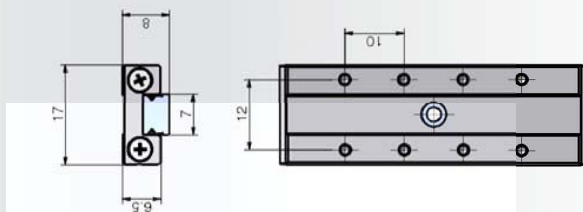
MS 12



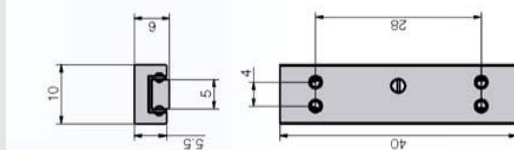
MS 9



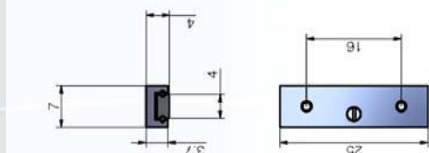
MS 7



MS 5



MS 4



For more detailed technical data please refer to:

[www.schneeberger.com](http://www.schneeberger.com)

**SWITZERLAND**  
SCHNEEBERGER AG  
St. Urbanstrasse 12  
4914 Roggwil/BE  
Phone +41 62 918 41 11  
Fax +41 62 918 41 00  
E-Mail: info-ch@schneeberger.com

**GERMANY**  
SCHNEEBERGER GmbH  
Gräfenau, Postfach 70  
75339 Höfen/Enz  
Phone +49 7081 782 0  
Fax +49 7081 782 124  
E-Mail: info-d@schneeberger.com

**ITALY**  
SCHNEEBERGER S.p.A.  
Via S. Gottardo, 10  
21021 Angera VA  
Phone +39 0331 93 2010  
Fax +39 0331 93 1665  
E-Mail: info-i@schneeberger.com

**USA**  
SCHNEEBERGER Inc.  
11 DeAngelo Drive  
Bedford, MA 01730  
Phone +1 781 271 0140  
Fax +1 781 275 4749  
E-Mail: info-usa@schneeberger.com

**CHINA**  
SCHNEEBERGER (Shanghai) Co., Ltd.  
Denghui Lu 1128, Minhang District  
Shanghai 201108  
Phone +86 21 6209 0037 / 27  
Fax +86 21 6209 0102  
E-Mail: info-cn@schneeberger.com

**JAPAN**  
Nippon SCHNEEBERGER KK  
3-23-12 Shimouma, Setagaya-ku  
Tokyo 154-0002  
Phone +81 3 5779 7339  
Fax +81 3 3487 6010  
E-Mail: info-j@schneeberger.com