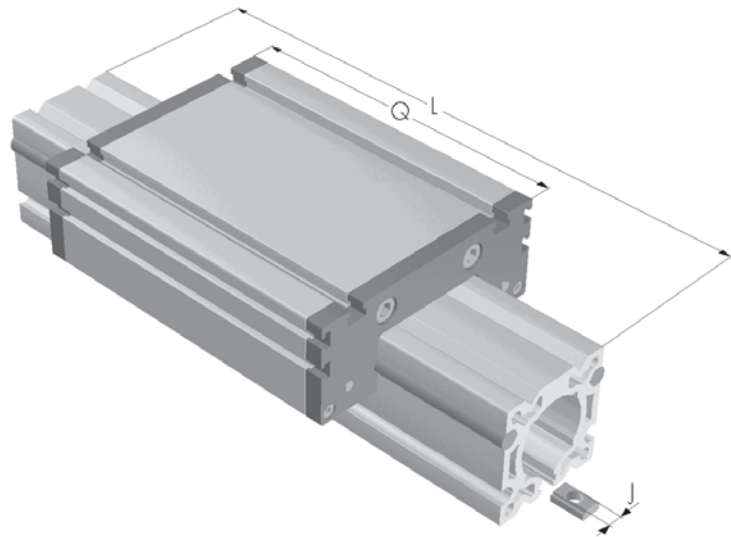
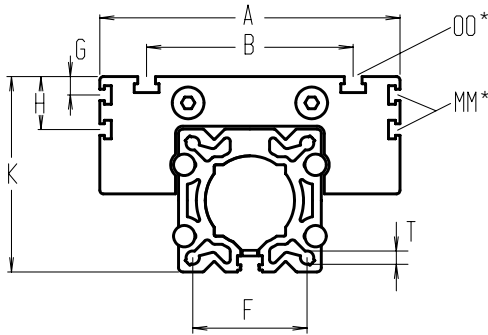


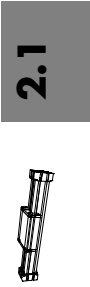
# Positioning system ER 30, 40, 60, 80, 80S, 100, 125

Dimensions (mm)

## Roller guide unit without drive



Increasing the carriage length will increase the basic length by the same amount.



\*For slide-nuts refer to chapter 2.2 page 2

Size □	Basic length L	A	B	F	G	H	J	K	MM for	OO for	Q	T	Basic weight	Weight per 100 mm
ER 30	82	70	56	23	-	-	M 6	41	-	M 6	82	M 4	0,5 kg	0,12 kg
ER 40	125	100	66	29	-	-	M 6 - M10	55	-	M 6	122	M 5	0,7 kg	0,23 kg
ER 60	170	144	96	48	-	-	M 6 - M10	79	-	M 8	168	M 6	2,4 kg	0,61 kg
ER 80	200	170	117	64	10	30	M 6 - M10	110	M 6	M 10	194	M 8	3,7 kg	0,90 kg
ER 80S	220	190	126	64	12,5	30	M 6 - M10	111	M 6	M 8	214	M 8	4,7 kg	0,90 kg
ER 100	300	230	155	80	-	29	M 10	139	M 10	M 10	300	M 10	10,8 kg	1,50 kg
ER 125	365	295	200	100	-	30	M 12	170	M 10	M 12	365	M 12	20,3 kg	2,05 kg

### Choice of guide body profile:

**0** (0) Standard **(1)** stainless guide rods **(2)** stainless guide rods and screws **(3)** stainless guide rods, rollers and screws

### Choice of carriages:

**0** (0)



For standard carriage length see 'Q' in table. The carriages can be delivered in any non-standard length on request; the longer the carriage, the greater the load capacity.

**(1)**



Top and bottom carriages are rigidly joined, thus enabling higher loads to be applied. This increases the basic length by 12-24 mm. Thickness of jointing plate refer to chapter 1.2 page 6.

### Application:

This unit can be used as a load-carrying linear slide, or it may be fitted with a suitable pneumatic drive.

**1500** Basic length + stroke = total length

ER 40 0 0 0 0 0 0 0 0 0 1500  
Pos. 1 2 3 4 5 6 7

For combination kits and connecting elements refer to chapter 2.2

Sample ordering code:

ER 40, Non driven system, standard body profile, standard carriage, 1375 mm stroke

