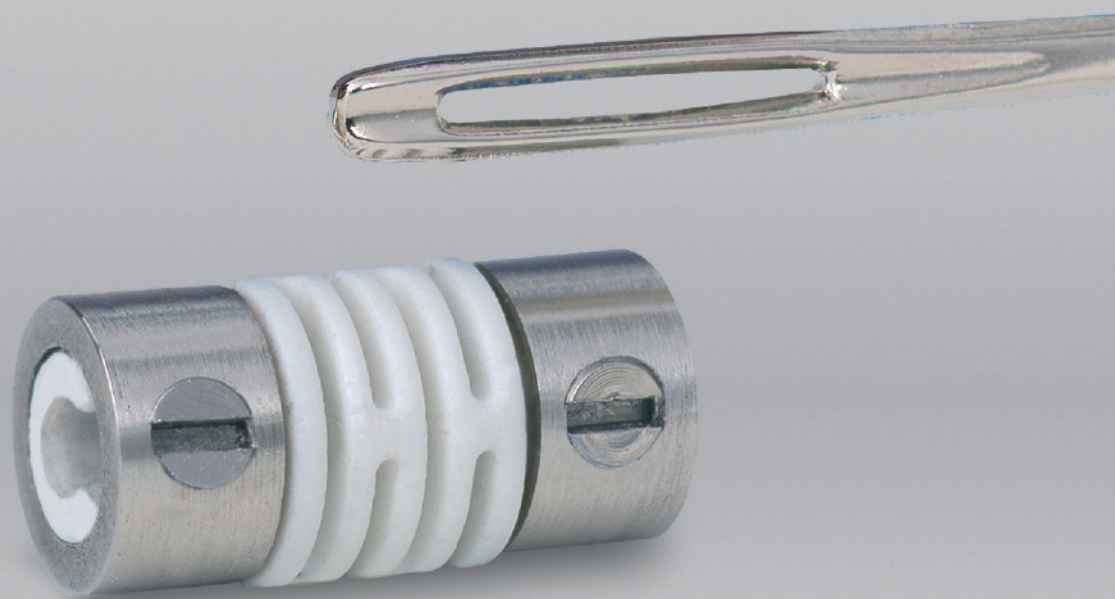


**SMALL AND PRECISE.**

# MICROFLEX-COUPLINGS

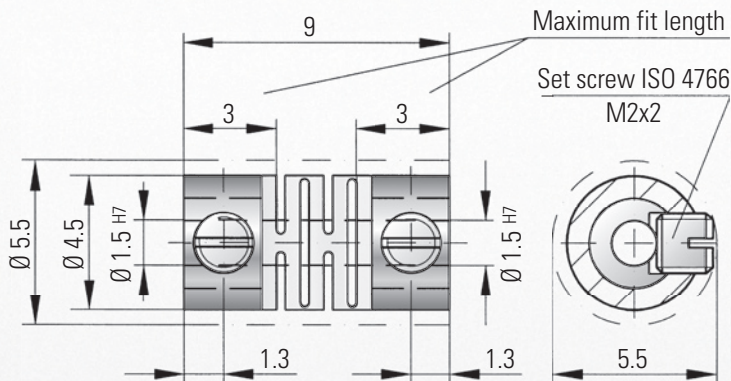
**SERIES FK 1**



**R+W**<sup>®</sup>  
COUPLING TECHNOLOGY

# MODEL FK1 001/9

## MICROFLEX-COUPLINGS



**Material:**

Coupling material: Polyamid  
Hub material: stainless steel

**Temperature range:**

Bore diameter: 1.5 mm  
Radial clamping is achieved by using a ISO 4766 M2 x 2 set screw.

-50 to + 120° C

**Backlash:**

Absolutely backlash-free

**Brief overloads:**

Acceptable up to 1.5 times the value specified.

**Service life:**

These couplings are maintenance-free if the technical limits are not exceeded.

**Speed range:**

Up to 10.000 U/min

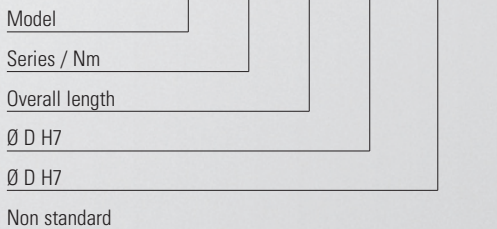
**The extended diameter can be reduced by using a flattened shaft.**

**A further reduction of the  $\phi$  to 4.5 mm can be reached by using a M2x1.5 set screw (Additional Charge)**

The information mentioned in this document is based on our present knowledge and experiences and does not exclude the manufacturer's own substantial testing of the equipment. So this is no obligatory assurance even with regard to protection rights of Third Parties. The sale of our products is subject to our General Conditions of Sale and Delivery.

**Order example**

FK1 / 001 / 9 / 1,5 / 1,5 / XX



**Technical information**

<b>Nominal torque capacity:</b>	1 Ncm
<b>Maximum peak torque capacity:</b>	2 Ncm
<b>Weight:</b>	0.47 g
<b>Moment of inertia:</b>	5.39 g/mm <sup>2</sup>
<b>Torsional stiffness:</b>	23 Ncm/rad
<b>Max. lateral misalignment:</b>	0.1 mm
<b>Max. angular misalignment:</b>	1.5°
<b>Max. axial misalignment:</b>	0.2 mm



**Expierence and Know-how for your special requirements.**

R+W Antriebselemente GmbH  
Alexander-Wiegand-Straße 8 D-63911 Klingenberg/Germany  
Tel. +49-(0)9372 – 9864-0 · Fax +49-(0)9372 – 9864-20  
info@rw-kupplungen.de · www.rwcouplings.com