

redi-rail®

Low Profile Slide - RRL Series

Low profile linear solution for automation,
packaging and material handling!

NEW!



Compatible
t-slot components
with 3 carriage
options!

SAVE TIME & MONEY



FEATURES & BENEFITS

- >> Cost Effective
- >> High Load Capacity
- >> Versatile Mounting Systems
- >> Rail Lengths up to 12 ft. (3600mm)

For more product information visit
www.pacific-bearing.com

SMOOTH & QUIET LINEAR MOTION™



TECHNICAL INFORMATION

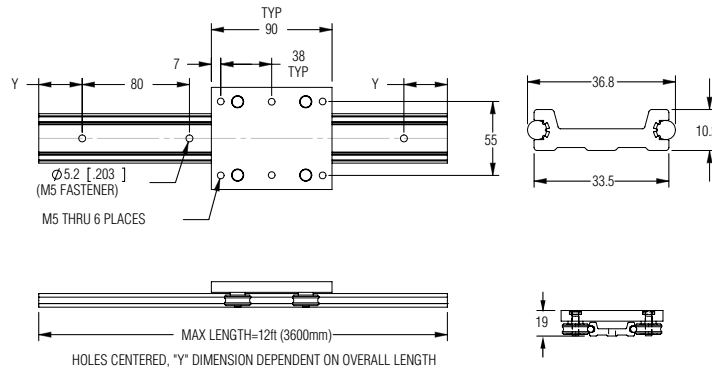
Materials:

Hardened steel shafting (stainless steel optional)
 Gothic arch steel bearing with seals
 Anodized aluminum rail and slider body
 Stainless steel stud shaft

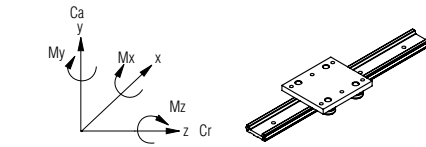
Max. Working Temperatures: -180°F (80°C)

Applications

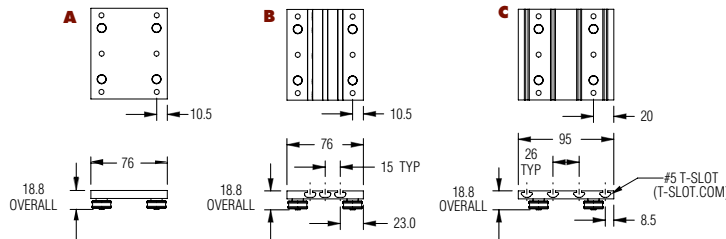
Automation
 Material Handling
 Assembly
 Packaging



CARRIAGE STYLE

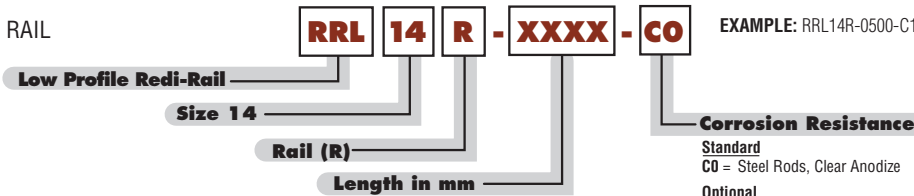


LOAD RATING					
AXIAL LOAD	Ca	115	LBS	510	N
RADIAL LOAD	Cr	275	LBS	1,225	N
MOMENT	Mx	125	LBS-IN	14	N-M
	My	275	LBS-IN	31	N-M
	Mz	115	LBS-IN	13	N-M



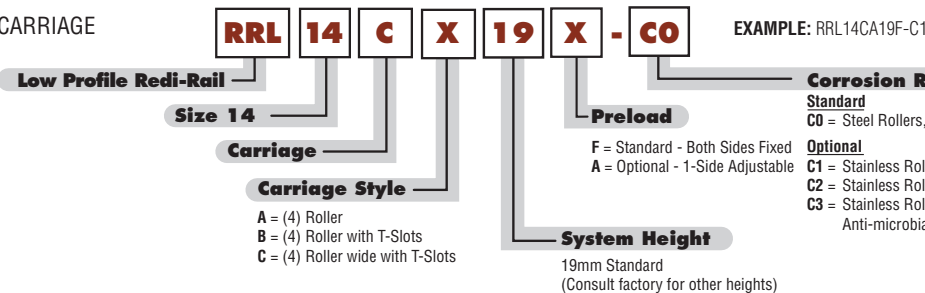
ORDERING INFORMATION

RAIL



Corrosion Resistance
Standard
 C0 = Steel Rods, Clear Anodize
Optional
 C1 = Stainless Rods, Clear Anodize
 C2 = Stainless Rods, Electroless Nickel Plate
 C3 = Stainless Rods, FDA Approved
 Anti-microbial White Powder Coat

CARRIAGE



Preload
 F = Standard - Both Sides Fixed
 A = Optional - 1-Side Adjustable

System Height
 19mm Standard
 (Consult factory for other heights)

Corrosion Resistance
Standard
 C0 = Steel Rollers, Clear Anodize
Optional
 C1 = Stainless Rollers, Clear Anodize
 C2 = Stainless Rollers, Electroless Nickel Plate
 C3 = Stainless Rollers, FDA Approved
 Anti-microbial White Powder Coat

The data and specifications in this publication have been carefully compiled and are believed to be accurate and correct. However, it is the responsibility of the user to determine and ensure the suitability of Pacific Bearing® products for a specific application. Pacific Bearing's only obligation will be to repair or replace without charge, any defective components if returned promptly. No liability is assumed beyond such replacement. *Consult www.pacific-bearing.com for the latest technical updates. Specifications are subject to change without notice.