

Linear actuators

MAGTOP CS40

Description/function

The electric Magtop linear actuators are fast, quiet and reliable devices. Thanks to its compact dimensions and low weight, the CS40 type series is best suited to utilisation on dome lights and skylights. The actuators consist of embedded DC motors (for 230 V with embedded combinational circuit part). The linear actuators are provided with an easy-slide special nut and sufficient lubrication. Once the cover screw on the head section has been removed, the stroke can be set using an internal hex spanner. The actuators are deactivated at both limit positions. Operations in multiple series connections are possible. This special housing shape with inte-grated bars makes for simple assembly. Fixing bracket B and the articulated section at the front fall within the scope of supply. The aluminium housings are robust and have an anodized coating, but the actuators are not suited to outdoor applications. The specified duty cycle relates to an ambient temperature of +20 °C.

Electrical connections

Only trained staff may undertake the processes of setting into motion and connecting up to power sources. All valid specifications must be observed. Connections to the power supply are made using the 4x1 mm² connection cord (AC) or 2x1 mm² connection cord (DC), following the diagram shown overleaf.

Assembly

The special installation instructions in the operating instructions must be observed. The actuators must be installed with the fixing parts supplied. The mounting bracket should be fixed in the housing bar with the screws provided. Fine adjustment can be under-taken during assembly or during the final stroke setting. The pushing tube should be locked internally to prevent twisting. The articulated section and mounting bracket or folding bar must be fitted flush with the movement axis so that the actuator is not tilted in any position. No lateral forces may act on the pushing tube. Electric cables (connection cord) should be routed so that damage resulting from crushing, deflection or traction is not possible.



Maintenance

The actuators contain greasing, which under normal operating conditions will suffice for around 10 000 double strokes. Only the pushing tube should be cleaned and a thin layer of grease applied from time to time. The duration of life of the actuator depends greatly on the application for which it is used (e.g. temperature, relationship between stroke-force-cycles and environ-mental factors) and must if necessary be calculated separately. Defective motors may only be opened and repaired in our factory.

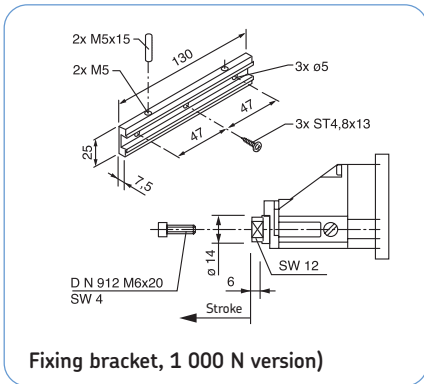
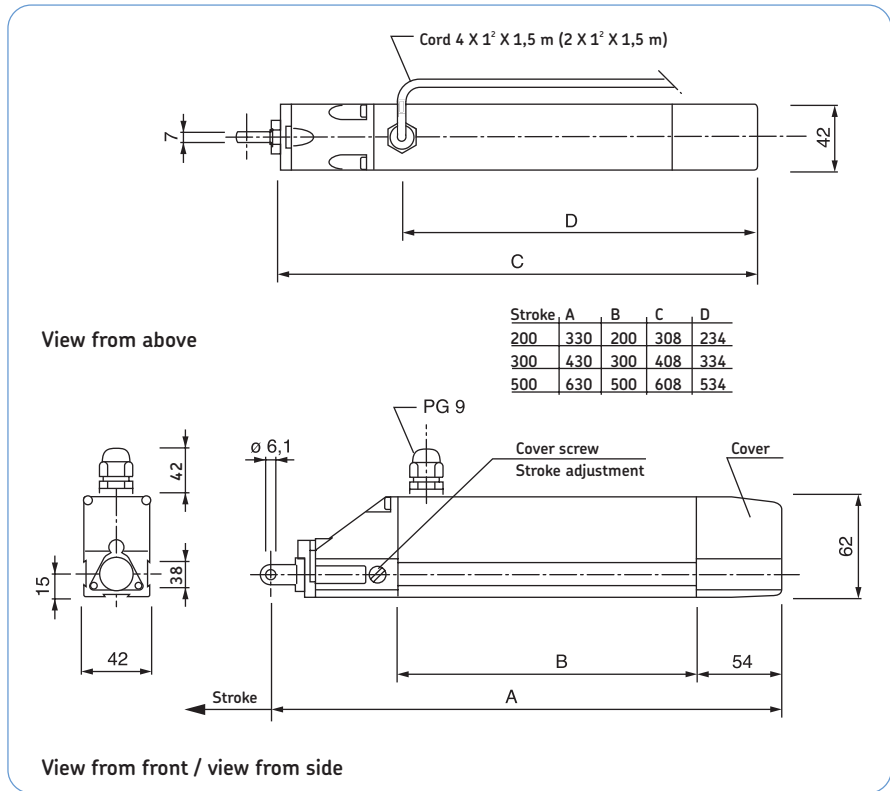
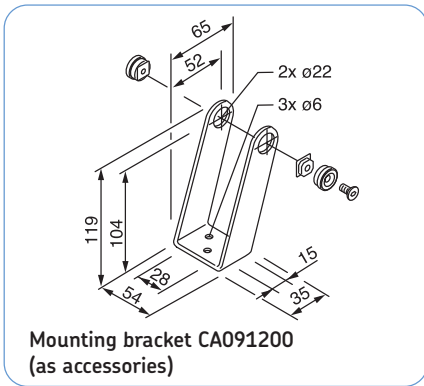
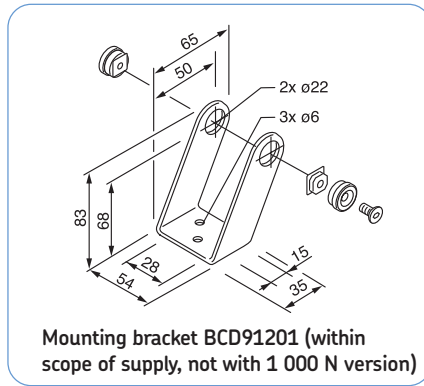
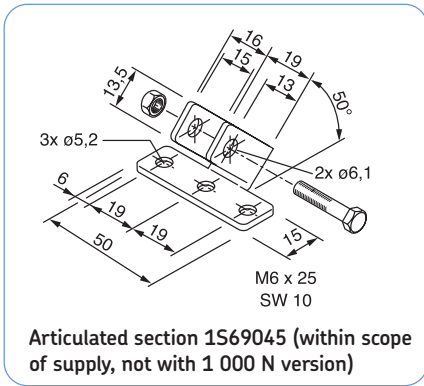
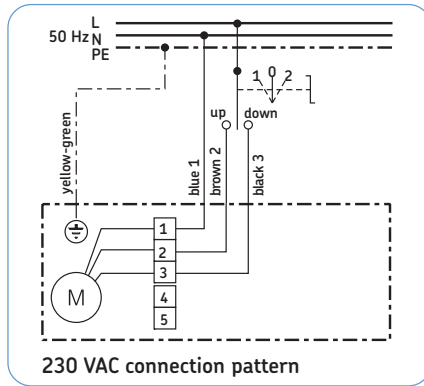
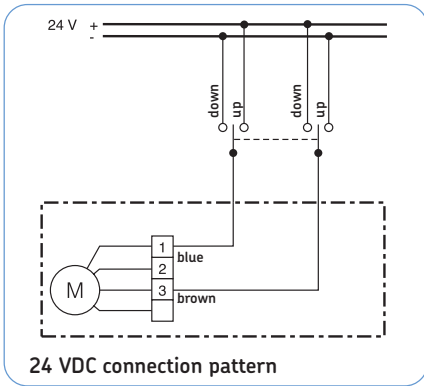
Accessories/version

The actuators are available in the following strokes: 200/300/500 mm available, silver colour. 1 000 N actuators are supplied with pushing tube inner threads and fixing bars.

Technical data:	Unit	CS40...230 V-450 N	CS40...230 V-1 000 N	CS40...24 V-450 N	CS40...24 V-1 000 N
Push force	N	450	1 000	450	1 000
Stroke, adjustable	mm	200/300/500	200	200/300/500	200
Pushing speed	mm/s	8 to 12	2,5	8 to 12	2,5
Voltage/frequency	V/Hz	230/50	230/50	-	-
Voltage	V	-	-	24	24
Power input	W	30	30	22	22
Current input	A	0,16	0,13	0,75	0,75
Duty cycle	%	50	50	50	50
Ambient temperature	°C	-10 to +40	-10 to +40	-10 to +40	-10 to +40
Protection class (vertical 60° n.o.)	IP	55	55	55	55
Insulation class	-	H	H	H	H
Weight	kg	1,4	1,4	1,4	1,4
Suppression filter	-	built in	built in	built in	built in



Linear actuators MAGTOP CS40



Magnetic Elektromotoren GmbH
 DE-79689 Maulburg, Germany
 Tel +49 7622 6950, Fax +49 7622 695 101
 E-mail sales@at.magnetic.de

Publication L5321,1550EN.0/07.01

© SKF and Magnetic are registered trademarks of the SKF Group.

© SKF Group 2007.

The contents of this publication are the copyright of the publisher and may not be reproduced (even extracts) unless prior written permission is granted. Every care has been taken to ensure the accuracy of the information contained in this publication but no liability can be accepted for any loss or damage whether direct, indirect or consequential arising out of the use of the information contained herein.

