

Linear actuators

MAGTOP CS70

Description/function

The electric Magtop linear actuators are fast, quiet and reliable devices. The CS70 type series is best suited to utilisation on heavy dome lights and windows. The actuators consists of a singlephase special motor with a capacitor and integrated hollow rotor shaft. The linear actuator is provided with an easy-slide special nut and sufficient lubrication. The specified duty cycle relates to an ambient temperature of +20 °C. Embedded thermal protection protects the winding from overheating. This is triggered at a winding temperature of +130 °C but is reactivated again after cooling. The actuators have an integrated relay for multiple series connection fitted as standard. The motor is deactivated at its limit positions by an embedded limit switch. The actuators' special section tube is made out of aluminium and has an anodized coating. The fixing bracket and the articulated section at the front fall within the scope of supply.

Electrical connections

Only trained staff may undertake the processes of setting into motion and connecting up to power sources. All valid specifications must be observed.

The 4x1 mm² connection cord is used to connect up to the power supply. Connecting up and wiring must follow the diagram shown overleaf.

Assembly

The special installation instructions in the operating instructions must be observed. The actuators must be installed with the fixing parts supplied. The articulated section and mounting bracket or folding bar must be fitted flush with the movement axis so that the actuator is not tilted in any position. No lateral forces may act on the pushing tube. Fine adjustment of the closing point can be undertaken at the fork head. You must then check whether the limit switch is deactivating with certainty in the corresponding limit position. The electric cables (connection cord) must be routed so that damage resulting from crushing, deflection or traction is not possible.

Maintenance

The actuators contain greasing, which under normal operating conditions will suffice for around 10 000 double strokes. Only the pushing tube should be cleaned and a thin layer of grease applied from time to time. The duration of life of the actuator depends greatly on the application for



which it is used (e.g. temperature, relationship between stroke-force-cycles and environmental factors) and must if necessary be calculated separately. Defective motors may only be opened and repaired in our factory.

Accessories/version

The actuators are available in the following strokes: 180/300/500 mm.

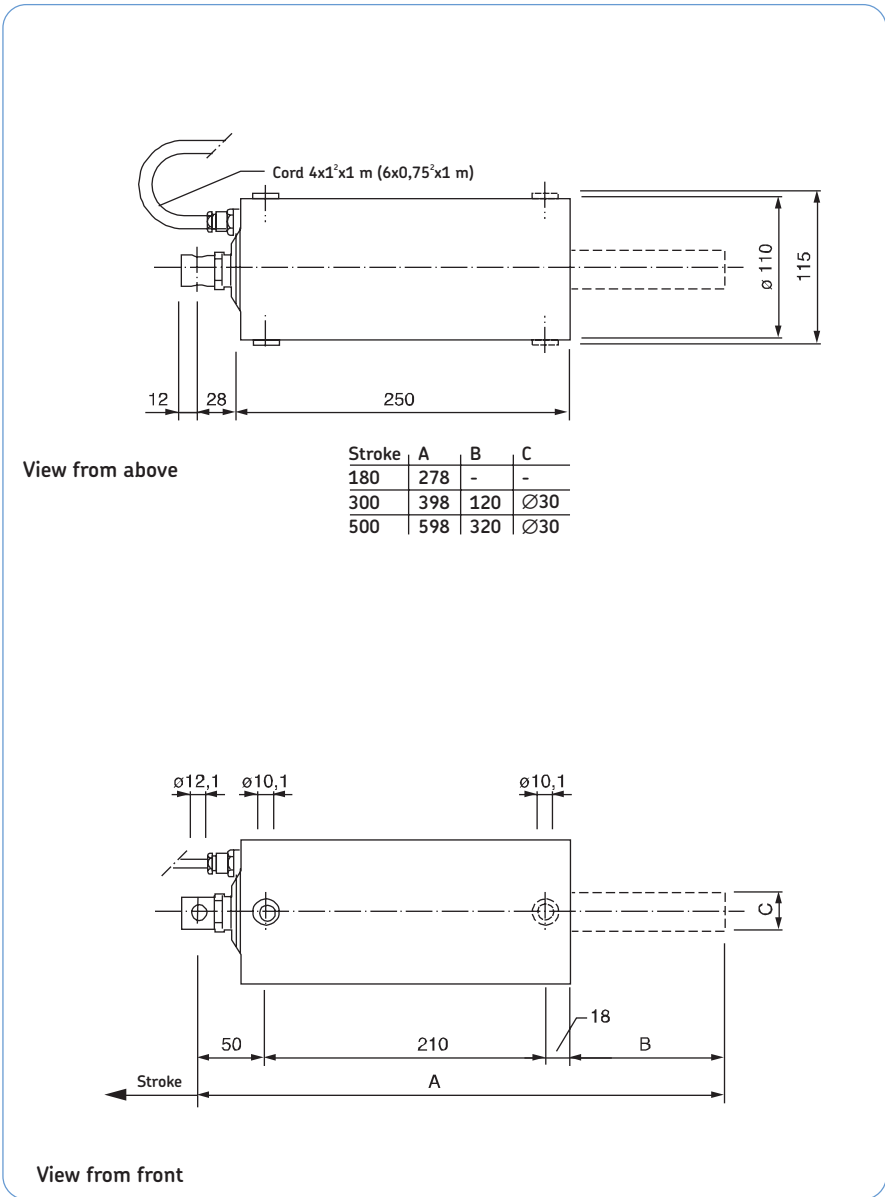
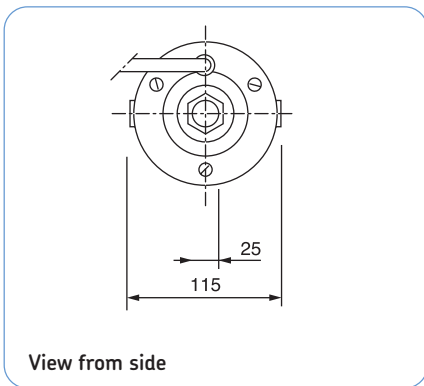
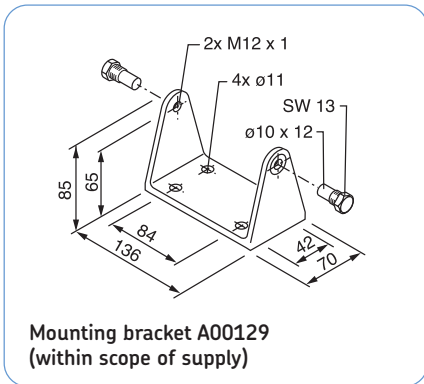
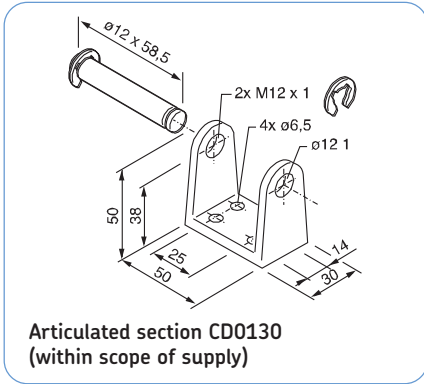
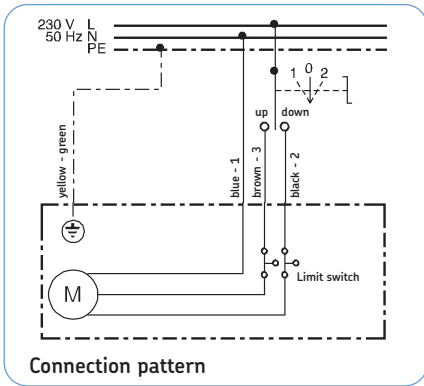
Note

Caution: the rear rotor shaft also rotates. This is not protected against contact. Appropriate protection must be ensured by the customer.

Technical data:	Unit	CS70...
Push force	N	2 000
Stroke	mm	180/300/500
Pushing speed	mm/s	14 to 19
Voltage/frequency	V/Hz	230 to 50
Duty cycle	%	20
Thermal protection	°C	+130
Power input	W	350
Current input	A	1,85
Ambient temperature	°C	-10 to +40
Protection class	IP	40
Insulation class	-	F
Operation capacitor (230 V)	µF	4x8
Weight	kg	6,5



Linear actuators MAGTOP CS70



Magnetic Elektromotoren GmbH
 DE-79689 Maulburg, Germany
 Tel +49 7622 6950, Fax +49 7622 695 101
 E-mail sales@at.magnetic.de

© SKF and Magnetic are registered trademarks of the SKF Group.

© SKF Group 2007.

The contents of this publication are the copyright of the publisher and may not be reproduced (even extracts) unless prior written permission is granted. Every care has been taken to ensure the accuracy of the information contained in this publication but no liability can be accepted for any loss or damage whether direct, indirect or consequential arising out of the use of the information contained herein.

Publication L5321,1560EN.0/07.01

