

Linear actuators

RUNNER RU23 / RU24 / RU25

Features

- Very compact design
- High push and pull force
- Quiet, low vibration
- Safety factor 4 up to 300 mm stroke (at 10 kN load)
- Long lifetime

Description

The Runner is a very compact and strong high performance actuator, able to lift loads up to 12 kN. The actuator runs very quietly and with low vibration. Based on the robust design, the Runner has a longservice life. The standard version includes a safety nut and limit switches. In addition, Runner actuators are equipped with a fixed motor cable with a DIN8 plug or in option with a jack plug. With a safety factor of 4 for stroke length of up to 300 mm the Runner is ideally suited for medical applications. The Runner system is also compatible with the SKF DC Telemag pillars.

Installation

The actuator is secured to the fork heads by means of bolts. It is important here to ensure that the load which is to be moved

acts centrally onto the push tube. No lateral forces may act on the push tube whatever the orientation, and the actuator must not be installed off-centre. The operating manual must be observed for installation and putting into service. Any applications which do not comply with the operating manual must be discussed first with the manufacturer. Applications which involve a risk of personal injury must be made safe by the user.

Electrical connection

The Runner system comes with a first failure safe control unit (BCU, VCU, or SCU) for the operation of up to 3 actuators. The control unit (only BCU) can be operated stand-alone or be mounted with an adaptor plate on the actuator.

Maintenance

The Runner requires no maintenance during its service life. The expected service life depends on the particular model and the application. The user must conduct his own tests in this regard. Faulty actuators may only be opened and repaired at our factory.



Options

- Emergency lowering
- Electrical anti-pinching protection
- Encoder

Control

- Control unit
- Operating elements

Reference standards

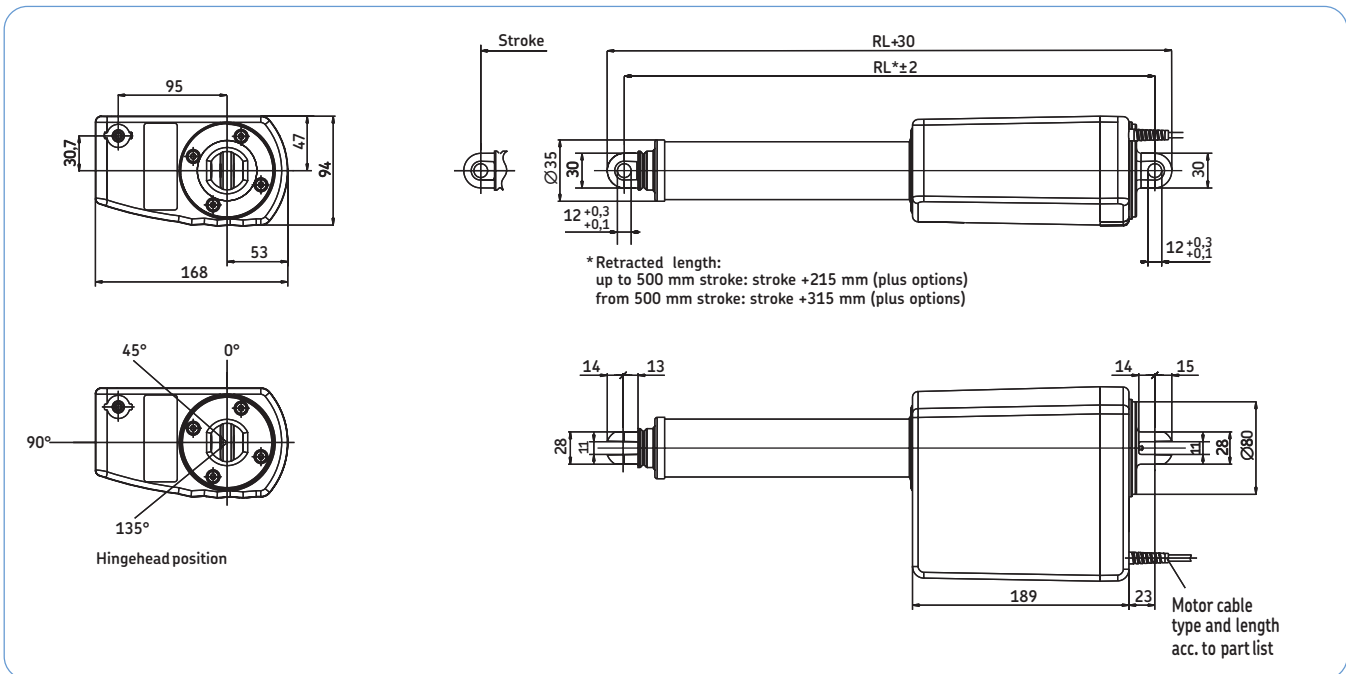
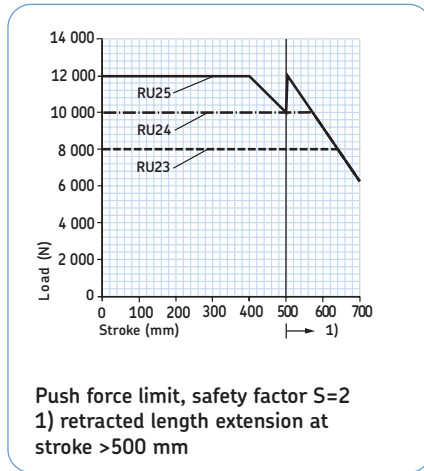
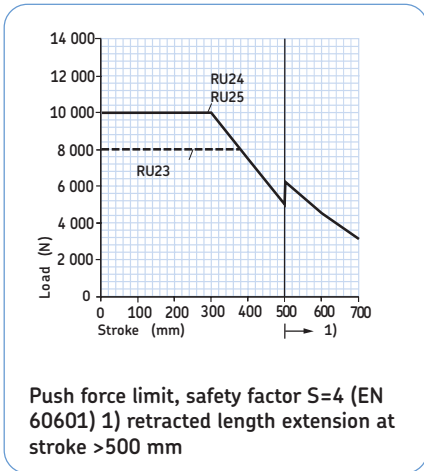
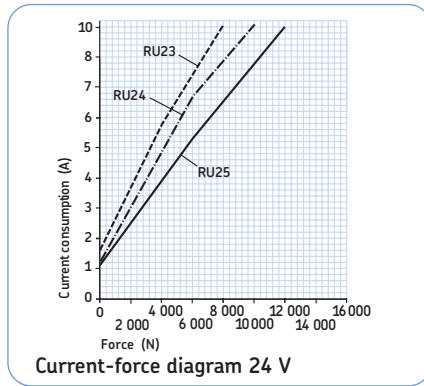
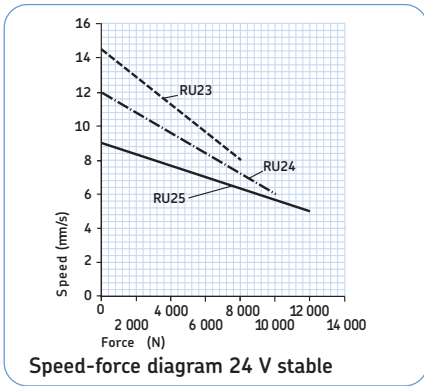
- EN 60601-1
- UL 60601-1

Technical data:	Unit	RU23	RU24	RU25
Push or pull force*	N	8 000/8 000	10 000/8 000	12 000**/8 000
Speed (at full load)	mm/s	8 to 14,5	6 to 12	4,7 to 9
Stroke	mm	100 to 700	100 to 700	100 to 700
Voltage	V	24	24	24
Current consumption	A	10	10	10
Duty cycle on/off	Int.	1 min./9 min.	1 min./9 min.	1 min./9 min.
Ambient temperature	°C	+10 to +40	+10 to +40	+10 to +40
Protection class	IP	X4/X6	X4/X6	X4/X6
Weight	kg	4,7	4,7	4,7
Colour	-	grey	grey	grey

All data at room temperature
 * See load diagrams on page 2
 ** Safety working load for medical applications 10 000 N (EN 60601)



Linear actuators RUNNER RU23 / RU24 / RU25



Magnetic Elektromotoren AG
CH-4410 Liestal, Switzerland
Tel +41 61 925 4111, Fax +41 61 921 3704
E-mail magnetic.switzerland@skf.com

© SKF and Magnetic are registered trademarks of the SKF Group.

© SKF Group 2007.
The contents of this publication are the copyright of the publisher and may not be reproduced (even extracts) unless prior written permission is granted. Every care has been taken to ensure the accuracy of the information contained in this publication but no liability can be accepted for any loss or damage whether direct, indirect or consequential arising out of the use of the information contained herein.

Publication L5321,2541EN.0/07.02

