

# Linear motor stages with controller

## Complete drive system

### Main features:

- Drive force up to 1 200N
- Stroke up to 2 615mm
- Speed up to 3m/s
- Repeatability <0.2µm
- Optionally with bellows or steel cover
- Controller useable in force, speed or positioning mode
- Analogue or digital interface (CAN, Profibus, Sercos)
- Controller parameters set for LTB stage type
- One flat band cable for all electrical connections
- Turn-key solution for one axis or multi axes applications



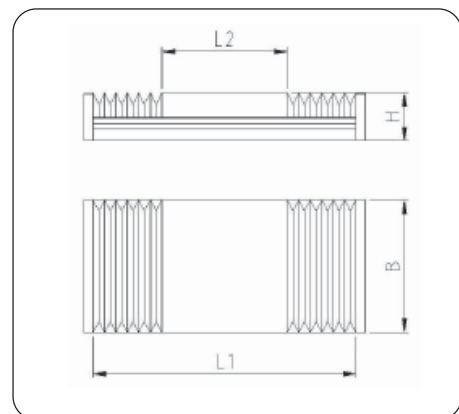
### Mechanical electrical parameters

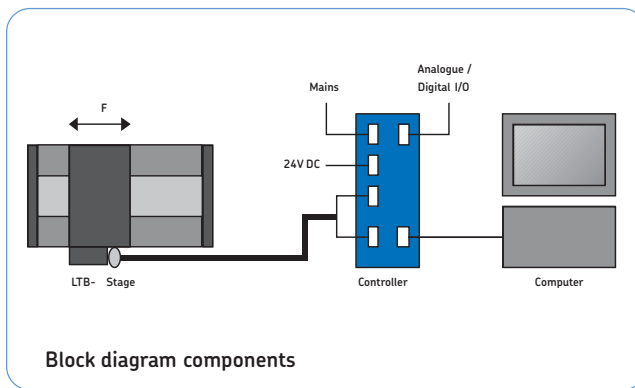
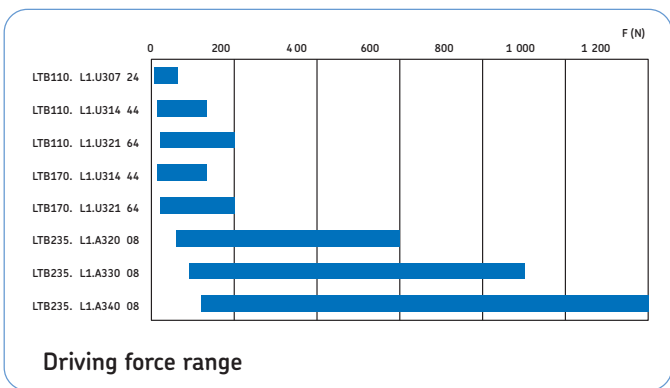
Type	Upper part width		length	Lower part length		Total length	Height		Moving mass		Peak force	Nominal force
	BL	SC		interval	BL		SC	BL	SC	BL		
	B		L2	L1	L3		H		Kg		Fp	Fn
	mm (1)							(4)		(4)	N	
LTB110.L1.U30724	117	123	110	150-950	40	160-960	40	43 (49)	0,8	1,1 (1,3)	66	23
.U31444	117	123	190	150-950	40	160-960	40	43 (49)	1,2	1,7 (2,1)	133	46
.U32164	117	123	280	150 - 950	40	160-960	40	43 (49)	1,6	2,3 (2,9)	199	69
LTB170.L1.U31444	170	202	200	220-1 600	60	236-1 616	60	61 (69)	2,7	3,9 (4,8)	133	46
.U32164	170	202	280	220-1 600	60	236-1 616	60	61 (69)	3,4	5,1 (6,3)	199	69
LTB235.L1.A32008	235	275	235	340-2 860	60	360-2 880	85	87 (69)	8,0	10,5 (12,3)	600	268
.A33008	235	275	320	340-2 860	60	360-2 880	85	87 (69)	10,6	14,1 (16,5)	900	402
.A34008	235	275	410	340-2 860	60	360-2 880	85	87 (69)	13,1	17,6 (20,6)	1 200	537

### To be taken into account with the above table:

1. BL = bellow cover (LTB 235 only) or no cover, SC = steel cover.
2. Mechanical stroke with steel or no cover = lower part length L1 – upper part length L2 – 10mm.
3. Mech. stroke with bellows (only LTB235) = (lower part length – upper part length)\* 83%mm.
4. Displayed value without adapter plate (with adapter plate (= option).

5. Stage width = upper part width + 36 (=cable connection box) mm.
6. Stage accuracy P2: height and side accuracy = (mechanical stroke / 60) – 6 µm.
7. Electrical stroke = mechanical stroke – 2 x 10mm. Galvanically isolated optical limit switches (PNP /NC or NPN /NC).
8. Maximum speed 3m/s with LTB110/170 and 2,3m/s with LTB235.





### Controller data

- Controller configured for LTB linear motor stage
- 180 programmable motion sets
- Digital current, speed and position control
- Position feedback and motor commutation with linear measuring scale
- Analogue  $\pm 10V$  command input
- RS232 and CANopen integrated. Optional Profibus or Sercos fieldbus.
- Two digital inputs and two digital outputs, free useable
- One master module with up to 5 cascadable slaves for multiaxis operation
- Hybrid flat band cable standard lengths: 3m / 6m / 9m and 12m
- Mains supply 115/230/400V AC. One phase mains power supply may limit Fp. External 24V DC / 1A auxiliary supply required

