

# Pneumatic control elements

## PHC... PAM... PFP...

### Description

To achieve a high degree of operating comfort and safety, SKF actuators such as the Telemag, Matrix, Magforce, and Magpush are also available with integrated pneumatic control. The suitable operating elements have been developed for this control unit. Thanks to the currentless pneumatic pulse control, the user never comes into contact with live parts, which is high safety in the hospital sector.

### Function

An air pulse is generated by pressing a button on the control element. This pulse is transmitted through the air hose to the pneumatic receiver built into the linear actuator. The air pulse actuates the micro-switch in this unit, which thus triggers the electrical control of the linear actuator. A locking mechanism ensures that if two buttons are actuated simultaneously, only one button pulse is evaluated. The special pressure compensation system offers a very high degree of safety. Temperature changes have no influence on safe operation.

### Connection/Installation

The air hoses can be separated in each case at the adapters of the actuators as well as the operating elements. When coupling the hoses at the adapter, make sure that the marking notches must be fitted correctly onto one another. Individual hoses can also be separated for connection to different actuators. These must be nicked with a knife and then pulled apart by hand to the wanted length. The air hoses can be shortened as required by the customer. Here you must make sure that the connection pins are fitted correctly again. On installing the air hoses ensure that these can neither kink nor be jammed. High functional safety is guaranteed only by running hoses correctly and proper handling. The operating elements are easy to look after and maintenance-free. Defective operating elements may be repaired only in our factory.

### Control elements

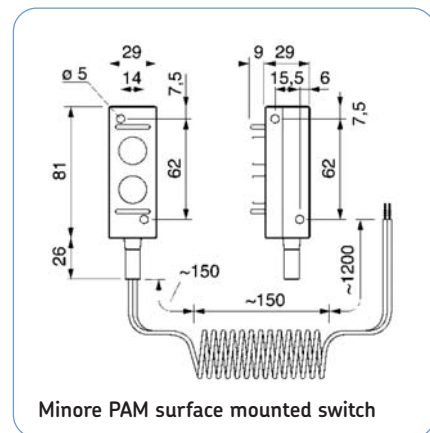
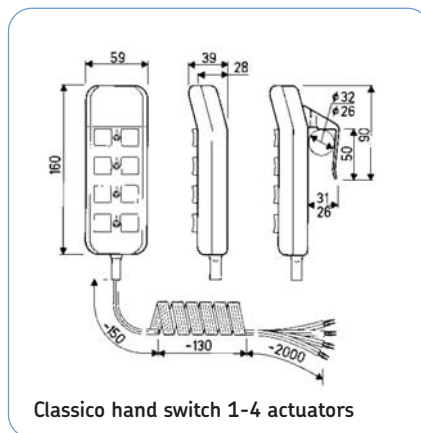
#### Classico PHC hand switch

According to version, up to 4 linear actuators can be controlled individually with this elegant hand switch. The buttons are printed with corresponding function symbols. Individual functions can be disabled on the switch. The individual interlocks for the motor function can be locked or unlocked with a key. To position the hand switch, this can be delivered with a clip for hooking on or with a holder.



#### Minore PAM surface mounted switch

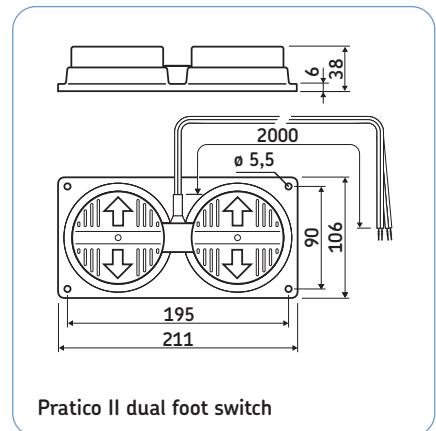
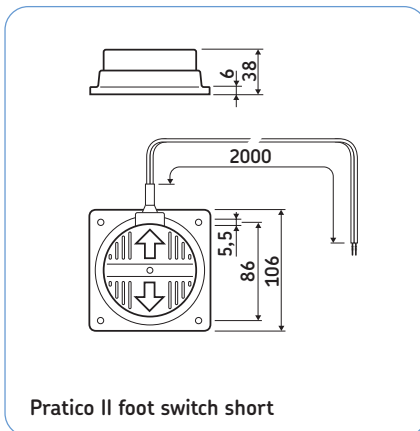
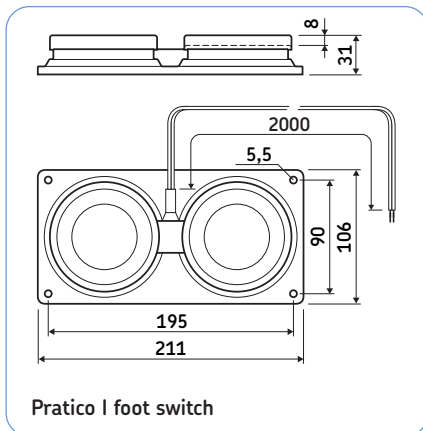
This manual switch for controlling a single linear actuator is an especially small and compact design. This surface mounted switch can be permanently mounted in different orientations using screws inserted in through-holes. This switch is also suitable for installation in control panels.



Pneumatic control elements PHC... PAM... PFP...

### Foot switch Pratico

This switch has large size operating buttons as well as a sturdy housing for foot operation. Pratico foot switches can be delivered in 3 different versions. Pratico I in standard version are delivered for single motor operation with single pressure plates. The anthracite colour is standard. Pratico II foot switches have new rocker push buttons. The space saving 1-motor switch has a rocker pressure plate for the motor functions of UP/DOWN. The 2-motor switch has two double rockers with which one can control two separate actuators from one position. This switch is delivered as standard in light grey.



### Accessories

- Suspension clip for Classico hand switch which can be attached subsequently. Spacing width 26 mm or 32 mm diameter (see Classico hand switch dimension drawing).
- Holders for hand switches with drilled holes for wall installation or thread for flexible tube installation.
- Key for function blocking for Classico hand switch.

