



ZYS
轴研科技

高精密滚珠丝杠球轴承

High-precision ball screw bearings

洛阳轴研科技股份有限公司

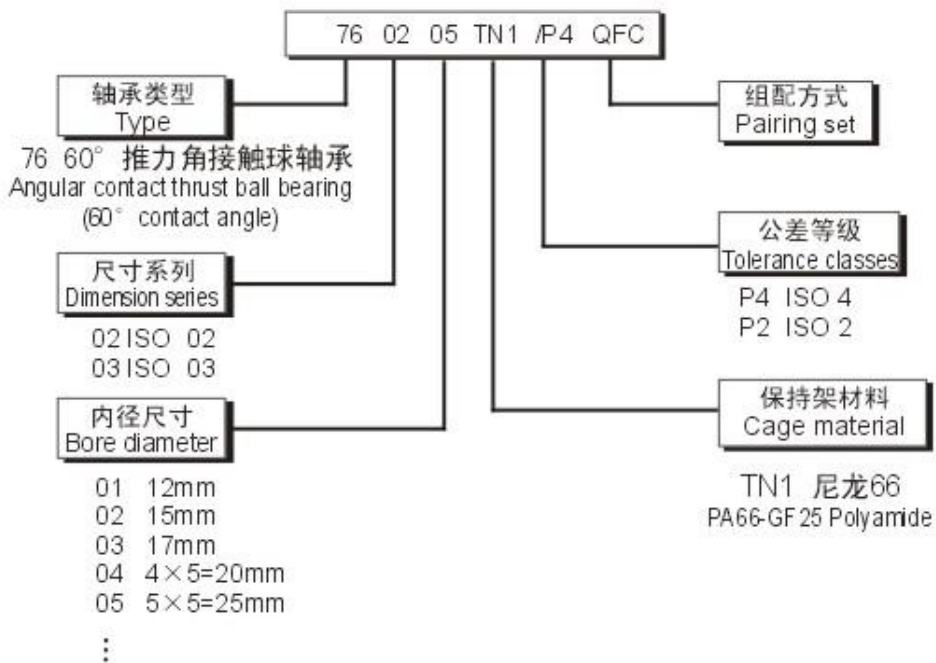
LUOYANG BEARING SCIENCE & TECHNOLOGY CO.,LTD.



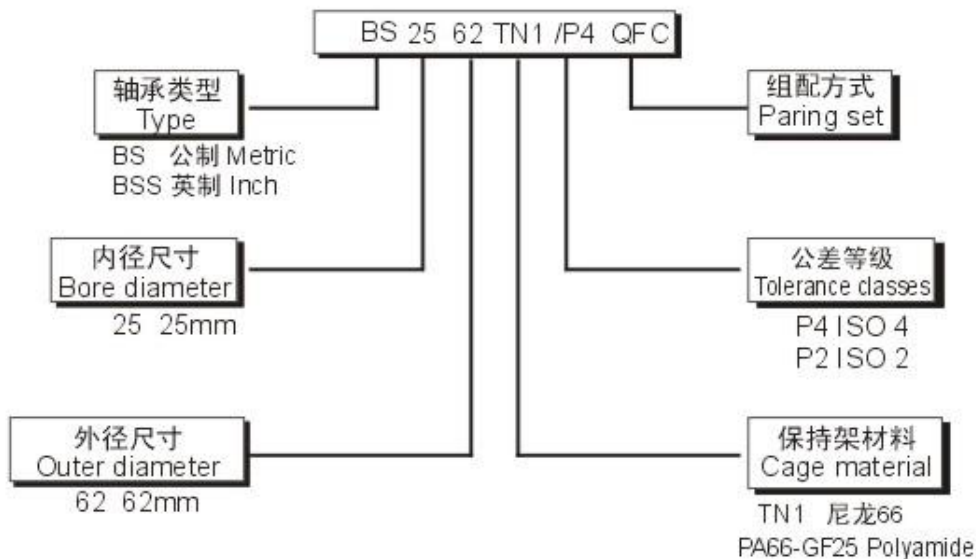
高精密滚珠丝杠球轴承

High precision ball screw bearings

滚珠丝杠球轴承代号示例（标准公制）
Ball screw bearing identification code (ISO Metric)



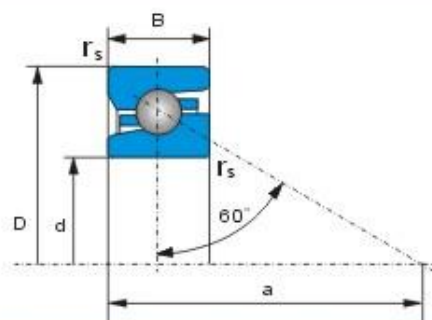
滚珠丝杠球轴承代号示例（非标）
Ball screw bearing identification code (non-ISO)



ZYS 高精密滚珠丝杠轴承

ZYS High-precision ball screw bearings

标准公制
ISO Metric



轴承代号 Bearing designations	外形尺寸 Boundary dimensions					额定载荷 Load ratings		极限 转速 Limiting speed	最大轴 向载荷 Axial load	预载荷	摩擦 力矩	重量 Weight
	d	D	B	r _{smin}	a	C _a	C _{0a}	脂 Grease	max	Preload	Frictional torque	≈
	mm					KN		r/min	KN	KN	N.mm	Kg
760201	12	32	10	0.6	24	11.6	12.5	17000	5.2	1.4	15	0.04
760202	15	35	11	0.6	27	12.5	15	15000	6.3	1.4	20	0.05
760203	17	40	12	0.6	31	16.6	20	13000	8.5	1.7	30	0.07
760204	20	47	14	1.0	36	19.3	25	12000	10.6	2.3	50	0.13
760205	25	52	15	1.0	41	22	30.5	11000	13.2	2.5	65	0.16
760206	30	62	16	1.0	48	26	39	9000	17.0	2.9	85	0.24
760207	35	72	17	1.1	55	30	50	8000	21.2	3.3	115	0.34
760208	40	80	18	1.1	62	37.5	64	7000	28.0	4.3	170	0.44
760209	45	85	19	1.1	66	38	68	6700	28.0	4.5	190	0.50
760210	50	90	20	1.1	71	39	75	6300	31.5	4.6	230	0.57
760211	55	100	21	1.5	78	40.5	81.5	6000	33.5	4.9	250	0.75
760212	60	110	22	1.5	86	56	112	5000	47.5	6.5	350	0.96
760213	65	120	23	1.5	92	57	122	4800	50.0	7.0	410	1.20
760214	70	125	24	1.5	96	65.5	137	4500	56.0	7.0	440	1.32
760215	75	130	25	1.5	101	67	150	4300	63.0	7.6	480	1.45
760216	80	140	26	2.0	108	76.5	175	4000	75.0	8.9	600	1.76
760217	85	150	28	2.0	116	86.5	196	3800	85.0	10.5	760	2.19
760218	90	160	30	2.0	123	98	224	3600	100	11.0	790	2.69
760219	95	170	32	2.1	131	110	255	3400	112	12.5	950	3.26
760220	100	180	34	2.1	138	122	285	3200	125	14.0	1100	3.91
760222	110	200	38	2.1	153	146	355	2800	153	16.4	1400	5.5
760224	120	215	40	2.1	165	176	425	2600	185	20.6	2000	6.5
760226	130	230	40	3.0	176	180	455	2400	200	20.6	2100	7.4

ZYS 高精密滚珠丝杠轴承
 ZYS High-precision ball screw bearings

轴承代号 Bearing designations	外形尺寸 Boundary dimensions					额定载荷 Load ratings		极限 转速 Limiting speed	最大轴 向载荷 Axial load	预载荷	摩擦 力矩	重量 Weight
	d	D	B	t _{min}	a	C _a	C _{0a}	脂 Grease	max	Preload	Frictional torque	≈
	mm					KN		r/min	KN	KN	N.mm	Kg
760304	20	52	15	1.1	39	24.5	32	11000	14.0	2.9	60	0.17
760305	25	62	17	1.1	46	28.5	41.5	9000	18.0	3.3	85	0.28
760306	30	72	19	1.1	53	34.5	55	8000	23.6	4.3	130	0.41
760307	35	80	21	1.5	60	36.5	61	7000	26.5	4.8	170	0.55
760307X3	35	90	23	1.5	68	50	83	6300	35.5	5.6	225	0.81
760308	40	90	23	1.5	68	50	83	6300	35.5	5.6	225	0.76
760309	45	100	25	1.5	75	58.5	104	5600	45.0	7.0	300	1.02
760309X3	45	110	27	2.0	83	69.5	127	5000	53.0	7.6	360	1.41
760310	50	110	27	2.0	83	69.5	127	5000	53.0	7.6	360	1.33
760311	55	120	29	2.0	90	78	146	4800	63.0	8.8	460	1.69
760312	60	130	31	2.1	98	88	166	4500	75.0	10.0	540	2.12
760313	65	140	33	2.1	105	100	196	4000	90.0	12.0	700	2.60
760314	70	150	35	2.1	113	110	220	3800	95.0	12.0	760	3.16
760315	75	160	37	2.1	120	125	255	3600	118.0	14.5	920	3.79
760316	80	170	39	2.1	128	137	285	3400	132.0	16.0	1100	4.50
760317	85	180	41	3.0	135	160	325	3200	150.0	17.5	1250	5.29
760318	90	190	43	3.0	143	163	345	3000	160.0	18.0	1300	6.17
760319	95	200	45	3.0	150	163	360	3000	170.0	19.0	1450	7.15
760320	100	215	47	3.0	160	193	430	2600	212.0	21.5	1700	8.73
760322	110	240	50	3.0	176	250	560	2400	265.0	29.3	2500	11.8
760324	120	260	55	3.0	192	265	620	2200	280.0	31.3	2750	14.6
760326	130	280	58	3.0	206	290	695	2000	305.0	33.7	3100	18.7

ZYS 高精度滚珠丝杠轴承

ZYS High-precision ball screw bearings

非标公制
non-ISO, metric

轴承代号 Bearing designations	外形尺寸 Boundary dimensions					额定载荷 Load ratings		极限 转速 Limiting speed	最大轴 向载荷 Axial load	预载荷	摩擦 力矩	重量 Weight
	d	D	B	Ismin	a	C _a	C _{0a}	脂 Grease	max	Preload	Frictional torque	≈
	mm					KN		r/min	KN	KN	N.mm	Kg
BS1547	15	47	15	1.0	35	21.5	27	12000	11.5	2.6	50	0.13
BS1747	17	47	15	1.0	35	21.5	27	12000	11.5	2.6	50	0.14
BS2047	20	47	15	1.0	37	19.3	25	12000	10.6	2.3	50	0.13
BS2562	25	62	15	1.0	46	28.5	41.5	9000	18.0	3.3	85	0.24
BS3062	30	62	15	1.0	48	26	39	9000	17.0	2.9	85	0.23
BS3072	30	72	15	1.0	52	31	54	8000	22.0	3.4	115	0.35
BS3572	35	72	15	1.0	54	30	50	8000	21.2	3.3	115	0.30
BS4072	40	72	15	1.0	56	28	49	8000	21.2	2.9	115	0.26
BS4090	40	90	20	1.5	67	50	83	6300	35.5	5.6	225	0.65
BS4575	45	75	15	1.0	60	28.5	52	7500	22.4	3.1	130	0.26
BS45100	45	100	20	1.5	74	58.8	104	5600	45.0	6.9	300	0.81
BS50100	50	100	20	1.5	76	58.5	104	5600	45.0	7.0	330	0.75
BS5590	55	90	15	1.0	70	32.5	65.5	6300	28.0	3.6	190	0.38
BS55100	55	100	20	1.5	77	40.5	81.5	6000	33.5	4.6	250	0.75
BS55120	55	120	20	1.5	86	60	116	5000	50.0	6.8	360	1.18
BS60120	60	120	20	1.5	88	61	120	4800	53.0	7.0	380	1.11
BS75110	75	110	15	1.5	88	35.5	83	5000	33.5	4.6	250	0.75
BS100150	100	150	22.5	2.0	120	69.5	173	3800	71.0	7.5	600	1.37
英制 Inch												
BSS2047	20.000	47	15.875	1.0	38	19.3	25	12000	10.6	2.3	50	0.13
BSS2362	23.838	62	15.875	1.0	45	28.5	41.5	9000	18.0	3.3	85	0.24
BSS3872	38.100	72	15.875	1.0	56	28	49	8000	21.2	2.9	115	0.26
BSS4476	44.475	76.2	15.875	1.0	60	28.5	52	7500	22.4	3.1	130	0.26
BSS5790	57.150	90	15.875	1.0	72	32.5	65.5	6300	28.0	3.6	190	0.38
BSS76110	76.200	110	15.875	1.0	88	35.5	83	5000	33.5	4.6	250	0.75
BSS101145	101.600	145	22.225	1.5	118	69.5	173	3800	71.0	7.5	600	1.37

滚珠丝杠轴承代号对照

Comparison table of ZYS ball screw bearings with other makers

轴承代号 ZYS Symbol	对应其它生产商代号 Other makers				
	FAG	SKF	NSK	NTN	SNFA
760201TN1	7602012TVP	BSA201			BS212
760202TN1	7602015TVP	BSA202	15TAC02AT85		BS215
760203TN1	7602017TVP				BS217
760204TN1	7602020TVP	BSA204			BS220
760205TN1	7602025TVP	BSA205	25TAC02AT85		BS225
760206TN1	7602030TVP	BSA206			BS230
760207TN1	7602035TVP	BSA207			BS235
760208TN1	7602040TVP				BS240
760209TN1	7602045TVP				BS245
760210TN1	7602050TVP				BS250
760211TN1	7602055TVP				
760212TN1	7602060TVP				BS260
760213TN1	7602065TVP				
760214TN1	7602070TVP				
760215TN1	7602075TVP				BS275
760216TN1	7602080TVP				
760217TN1	7602085TVP				
760218TN1	7602090TVP				
760219TN1	7602095TVP				
760220TN1	7602100TVP				
760222TN1	7602110TVP				
760224TN1	7602120TVP				
760226TN1	7602130TVP				
760304TN1	7603020TVP				
760305TN1	7603025TVP	BSA305			
760306TN1	7603030TVP	BSA306			
760307TN1	7603035TVP	BSA307			
760307X3TN1			TAC35-2T85		
760308TN1	7603040TVP	BSA308	40TAC03AT85		
760309TN1	7603045TVP		45TAC03AT85		
760309X3TN1			TAC45-2T85		
760310TN1	7603050TVP		50TAC03AT85		
760311TN1	7603055TVP		55TAC03AT85		
760312TN1	7603060TVP		60TAC03AT85		
760313TN1	7603065TVP				
760314TN1	7603070TVP				
760315TN1	7603075TVP				
760316TN1	7603080TVP		80TAC03AT85		
760317TN1	7603085TVP				
760318TN1	7603090TVP				
760319TN1	7603095TVP				
760320TN1	7603100TVP		100TAC03AT85		
760322TN1	7603110TVP				
760324TN1			120TAC03AT85		
760326TN1	7603130TVP				

ZYS 高精度滚珠丝杠轴承

ZYS High-precision ball screw bearings

轴承代号 ZYS Symbol	对应其它生产商代号 Other makers				
	FAG	SKF	NSK	NTN	SNFA
BS1547TN1			15TAC 47B		
BS1747TN1			17TAC 47B	BST17X 47-1B	
BS2047TN1	BSB020047T	BSD2047	20TAC 47B	BST20X 47-1B	
BS2562TN1	BSB025062T	BSD2562	25TAC 62B	BST25X 62-1B	
BS3062TN1	BSB030062T	BSD3062	30TAC 62B	BST30X 62-1B	
BS3072TN1					
BS3572TN1	BSB035072T	BSD3572	35TAC 72B	BST35X 72-1B	
BS4072TN1	BSB040072T		40TAC 72B	BST40X 72-1B	
BS4090TN1	BSB040090T	BSD4090	40TAC 90B	BST40X 90-1B	
BS4575TN1	BSB045075T	BSD4575	45TAC 75B	BST45X 75-1B	
BS45100TN1		BSD45100	45TAC 100B	BST45X 100-1B	
BS50100TN1	BSB050100T		50TAC 100B	BST50X 100-1B	
BS5590TN1	BSB055090T				
BS55100TN1	BSB055100T		55TAC 100B	BST55X 100-1B	
BS55120TN1	BSB055120T		55TAC 120B	BST55X 120-1B	
BS60120TN1	BSB060120T		60TAC 120B	BST60X 120-1B	
BS75110TN1	BSB075110T				
BS100150TN1	BSB100150T				
BSS2047TN1		BDAB634200	20TAC 47XB		
BSS2362TN1		BDAB634201	23TAC 62B		
BSS3872TN1		BDAB634202	38TAC 72B		
BSS4476TN1		BDAB634203	44TAC 76B		
BSS5790TN1		BDAB634204	57TAC 90B		
BSS76110TN1		BDAB634205	76TAC 110B		
BSS101145TN1		BDAB634206	101TAC 145B		